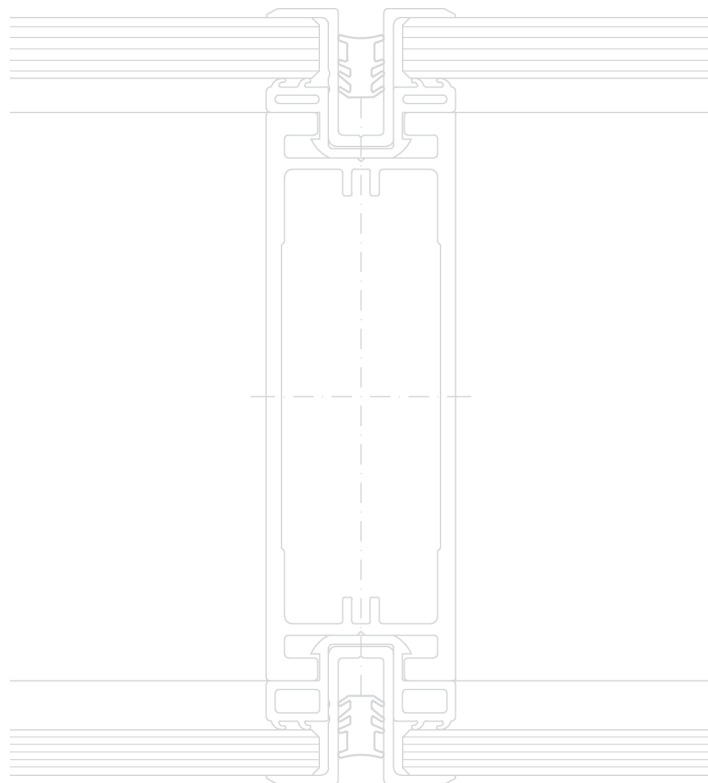


Partition System MTS



System MTS

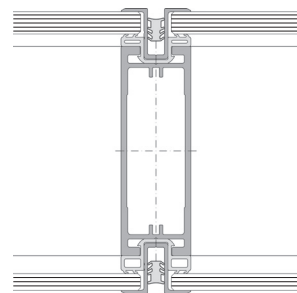
Aluminium post-and-beam structure
100 mm wall thickness

The MTS partition wall consists of a slender post-and-beam structure in aluminium with a visible width of just 25 mm. Equally slender strips fix the glazing perfectly flat on the substructure. The remarkable feature of this pared down, modular partition wall system is the flush-fitting look of the glass. The system can also be combined with closed panels or toplight panels. You can choose between slimline single or double-rebate aluminium frames in combination with a variety of door leaves. This slender, pared down wall system owes its appeal to its modularity and its understated elegance.

The aluminium structure is distinguished by its minimal cross-sections. The transoms are fixed firmly to the vertical posts using a specially developed connector. The structure is level-adjustable and connections to ceilings, floors and walls are made to adjacent construction elements by means of recessed aluminium sections with dimensional tolerance. The slender but very rigid design allows ample grid dimensions and the system's modular structure makes it quick to assemble and alter.



Flush glazing



Design

Post-and-beam structure

Construction

Double-rebated 6-8 mm toughened safety glass /
acoustic laminated glass

Element types

Fully-glazed, clerestory, balustrade, solid wall

Wall thickness

100 mm

Visible weight

25 mm

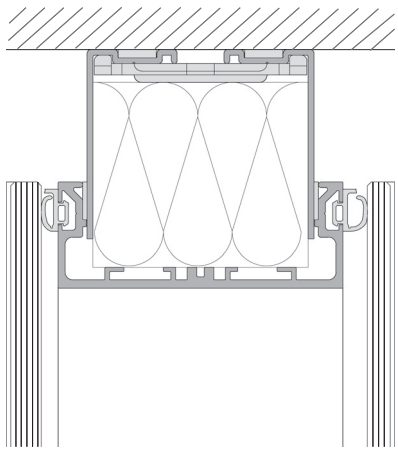
Sound insulation

bis $R_{w,P}$ 47 dB

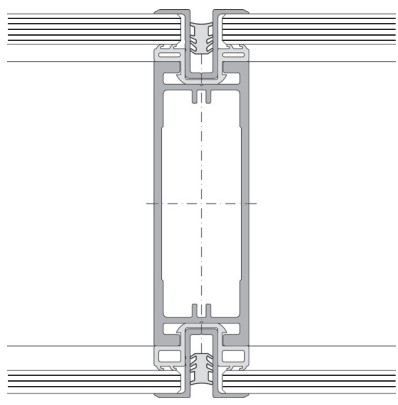
Accessories

Acoustic absorber, blinds, climate control elements

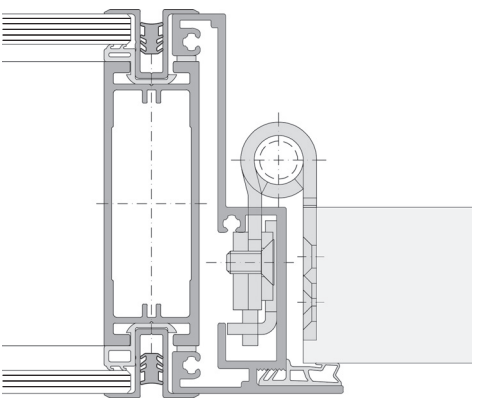




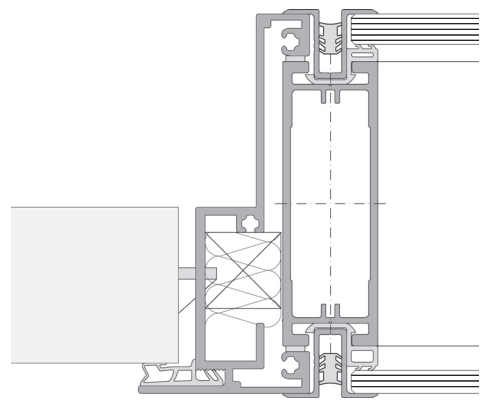
Glass element ceiling connection



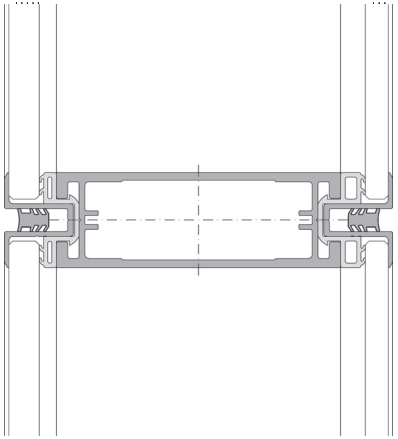
Glass element modular grid joint



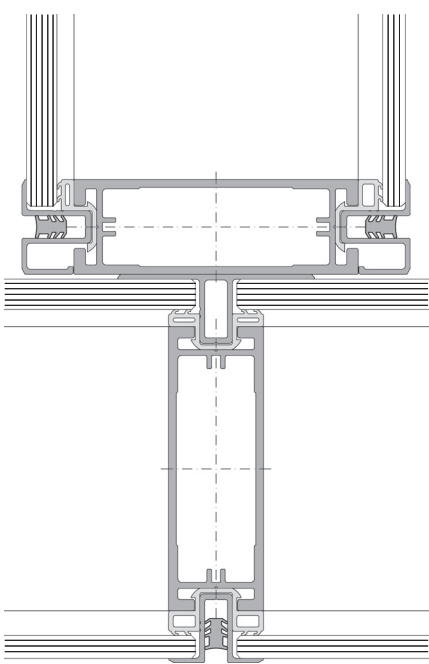
Solid door leaf hinge side



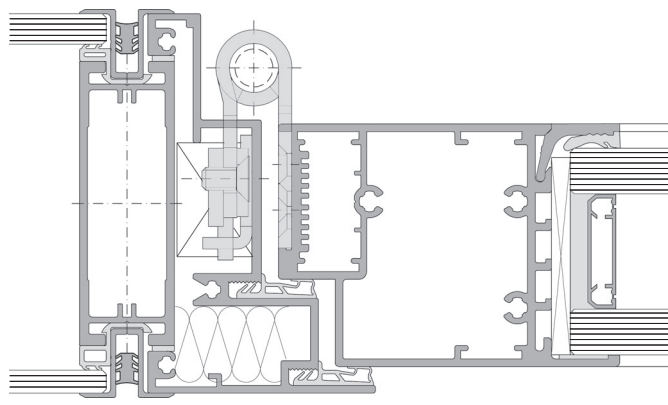
Solid door leaf lock side



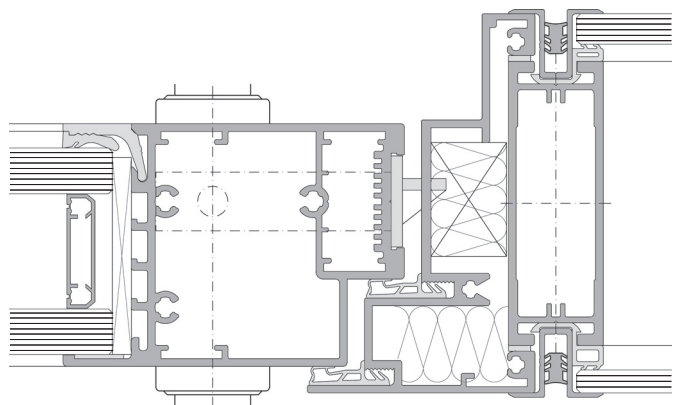
Glass element transverse joint



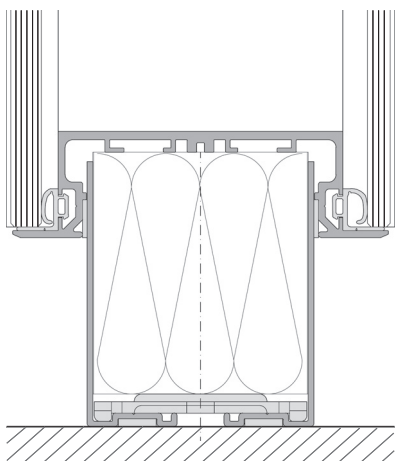
Glass element T-junction



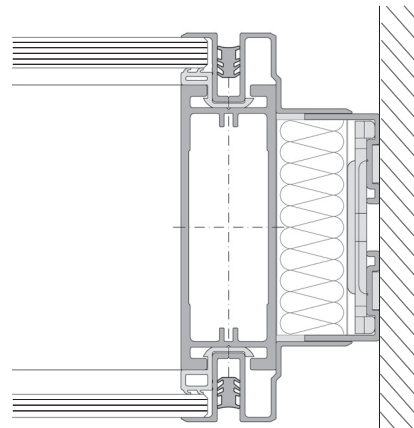
Aluminium frame door hinge side



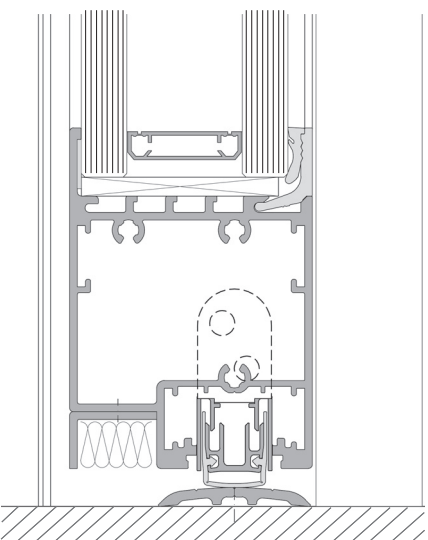
Aluminium frame door lock side



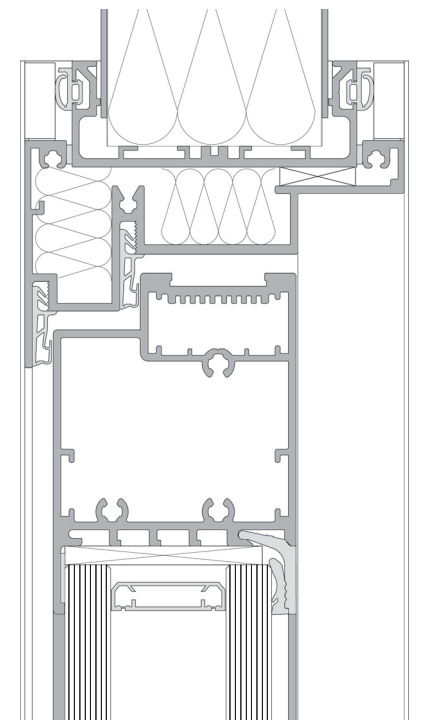
Glass element floor connection



Glass element abutment connection

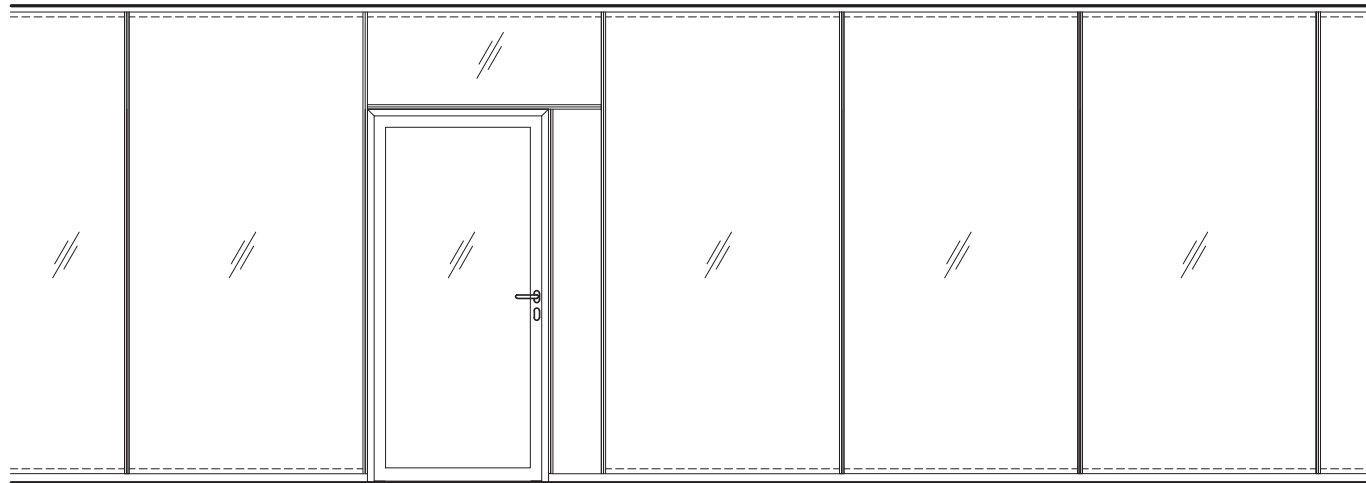


Aluminium frame door floor connection



Aluminium frame door ceiling connection

Corridor wall



Sound insulation

Element types	Construction / Description	Sound insulation $R_{w,P}$ in dB
Glass elements, double frame	Toughened safety glass 6 mm / 8 mm	42 dB
	Toughened safety glass 8 mm / 8 mm	44 dB
	Toughened safety glass 6 mm / acoustic laminated glass 8 mm	45 dB
	Acoustic laminated glass 8 mm / acoustic laminated glass 8 mm	47 dB
Door elements	VT 40 Solid door 40 mm	32 dB, 37 dB
	VT 64 Solid door 64 mm	37 dB, 42 dB (Double rebated frame)
	AR 40 Aluminium frame door 40 mm	32 dB, 37 dB
	AR 64 Aluminium frame door 64 mm	37 dB, 42 dB (Double rebated frame)
	GG 10 All-glass door	30 dB
	SG 64 Structural-glazing door	37 dB

Partion wall	Construction / Description
Wall thickness	100 mm
Widths	Up to 1600 mm approx. depending on height
Heights	Up to 3500 mm
Substructure	self-supporting, level-adjustable aluminium post-and-beam structure with just 25 mm visible width
Connection sections	Two-part aluminium sections
Deflection	Floor +/- 5 mm, ceiling: +/- 8 mm
Floor connection	Recessed by 20 mm, standard height 50mm, 80 mm, special height possible
Ceiling connection	Recessed by 20 mm, standard height 50mm, 80 mm, special height possible
Finishes	Standard: E6EV1 anodized aluminium Choice between powder-coating and special anodized colour finishes
Glazing	Glazing on one or both sides using toughened safety glass or acoustic laminated glass
Door elements	
Single-rebated aluminium frame:	Frame for: VT40 40 mm solid door, GG10 10 mm all-glass door AR40 40 mm aluminium frame door
Double-rebated aluminium frame:	Frame for VT64 64 mm solid door, AR64 64 mm aluminium frame door SG 64 64 mm structural glazing door
Sliding door	ST10-D 10 mm all-glass sliding door, ceiling-mounted ST10-D 10 mm all-glass sliding door, floor-mounted
Door hinges	Professional-quality stainless steel 3D-adjustable door hinges, 3 hinges required from door height of 2500 mm and above Door handle in stainless steel as per collection or to individual choice
Door handles	Door handles in stainless steel as per collection or by project according to client's choice
Fire prevention	No fire prevention possible
Accessories	
Blinds	Electric blinds can be supplied inside glass elements. Widths 300-1350 mm
Acoustic absorbers	Flush-fit, high-performance wall absorbers available: metal or wood perforated, fabric covered

Strähle Raum-Systeme GmbH
www.straehle.de
info@straehle.de

Gewerbestraße 6
71332 Waiblingen
T +49 7151 1714-0
F +49 7151 1714-320

Wurzelweg 5
14822 Borkheide
T +49 33845 66-0
F +49 33845 66-199

Austria
Industriestraße 9
2353 Guntramsdorf
T +43 2236 23232-0
F +43 2236 23232-13

Schweiz
Dellenbodenweg 1
4452 Itingen
T +41 61 463 1332
F +41 61 463 1333