

Special Range Handles For Onity Trillium Series Locks

Electronic Locking Solutions

In answer to today's increasing design conscious hotel requirements, Onity has partnered with HOPPE Group, a leading hardware producer, to offer additional design options to the existing Onity handle range. This widens the number of possible combinations available from Onity, ensuring that any decoration style will find an ideal matching solution.

The Onity special handle range has been developed following European quality and durability standards. This new range is compatible with Onity Trillium Mag and Trillium RFID EURO Locks and the full range of Onity electronic cylinders.



Founded in 1952 and today globally present with over 2,500 employees, HOPPE Group is a leading door and window handle supplier with a comprehensive product range, wide innovative capability and technological leadership in their segment.

Always making sustainability a priority, HOPPE products undergo numerous tests to ensure flawless operation, including static impact and durability tests depending on the product type. These extend beyond standard tests and requirements to closely reflect the everyday knocks hardware has to take.

Handle Specifications

- F69 satin stainless steel handles
- EURO mortise profile
- Spindle size: 8 mm
- Quick-Fit connection, no Allen screws



10 year operational guarantee



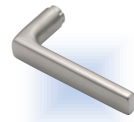
Amsterdam



Bonn



Dallas



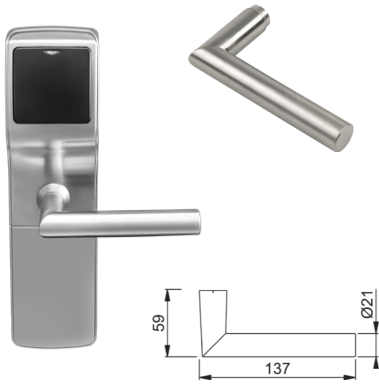
Paris



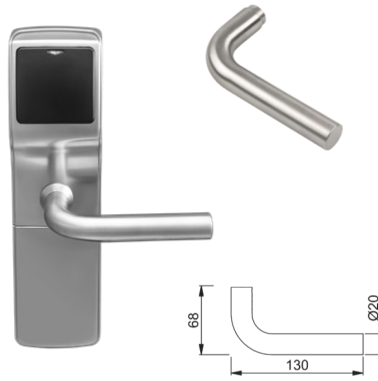
Trondheim



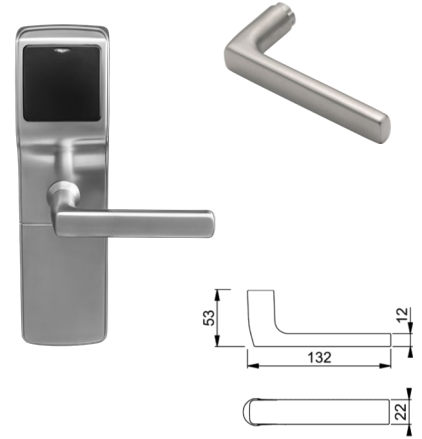
Amsterdam



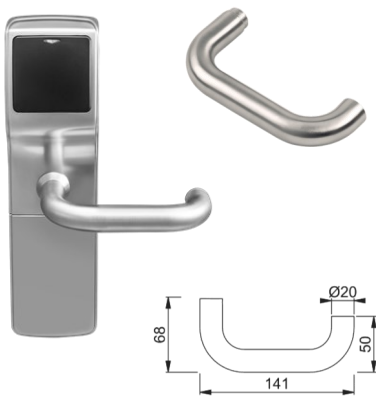
Bonn



Dallas



Paris



Trondheim

