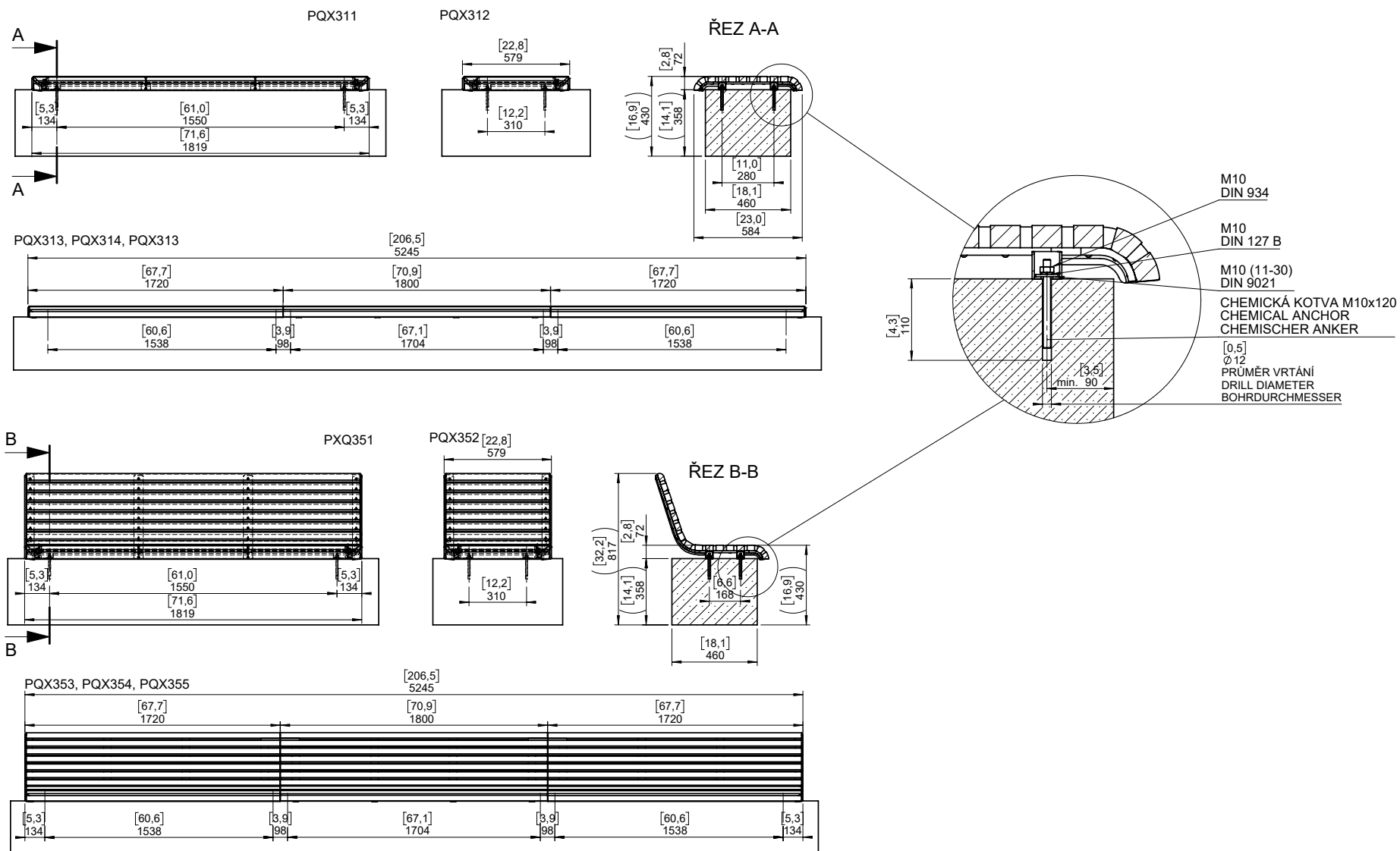
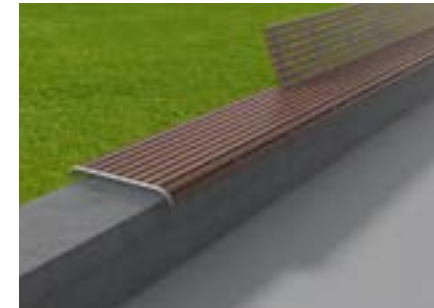


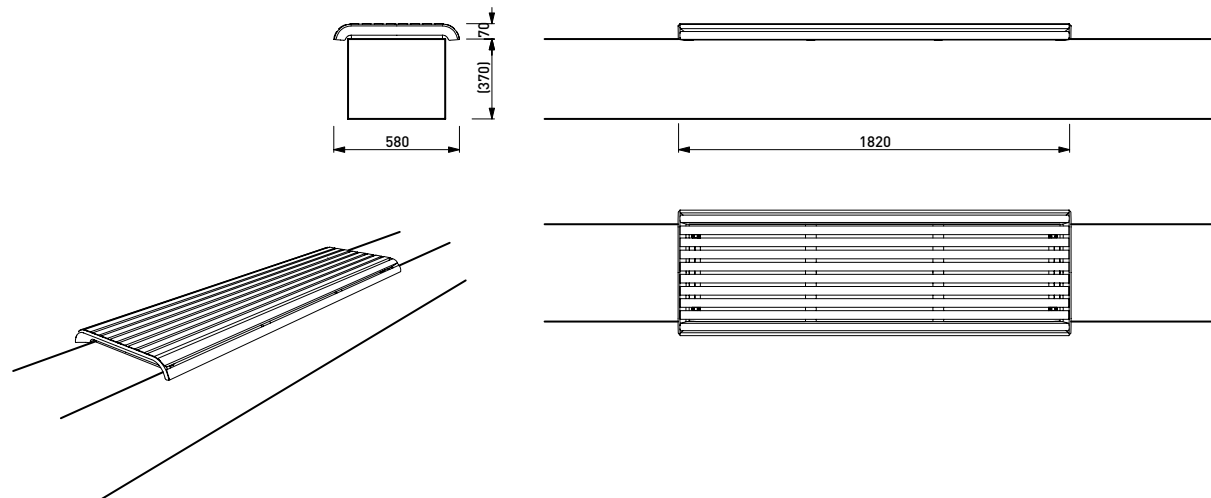
PORT - MONTERING



PORT - PQX311



ILLUSTRATIVE PHOTO



PORT – PQX311

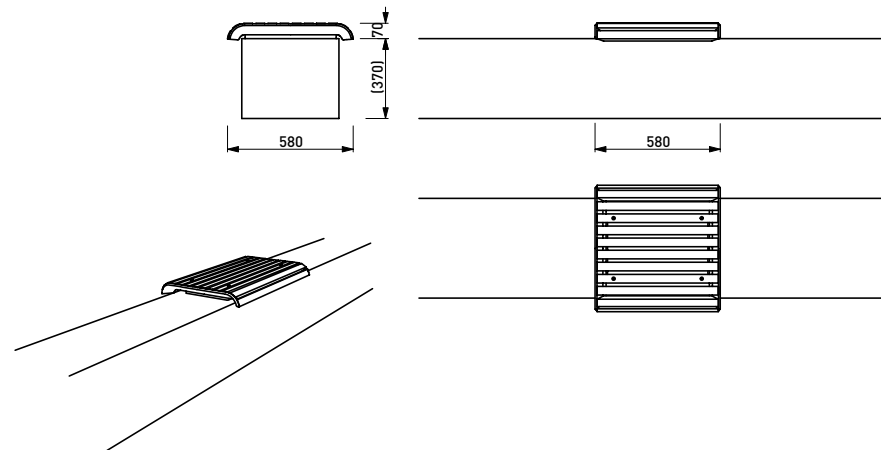
Bench on the wall without backrest, 1,82 m long

Versions:	PQX311r	robinia wood
	PQX311t	tropical wood
Structure type:	aluminium alloy casts and steel connector connected to wooden lamellas using stainless screw joints.	
Coating:	side sheet casts are supplied either without additional coating or are equipped with powder coating on request. The steel structure of the side plates is equipped with a protective layer of zinc and powder coating.	
Supporting frame:	aluminium alloy casts and bent steel connector.	
Seat:	8 lamellas made of massive wood with a square section.	
	4 round lamellas made of massive wood with a square section.	
Colour options:	shades of polyester powder coatings in the fine structure matt, standardly provided by mmicité.	
Anchoring:	anchoring in the wall using M10 threaded rods - see the anchoring drawing.	
	All street furniture elements must be properly anchored according to the producer's technical instructions. The manufacturer declines responsibility for any damages caused by careless use or by non-compliance with the instructions.	
Weight:	PQX311r	26,25 kg
	PQX311t	30,3 kg
Option:	coating side casts, shades of polyester powder coatings in the fine structure mat, standardly provided by mmicité. Other shades according to the RAL sampler are available on request	

PORT - PQX312



ILLUSTRATIVE PHOTO

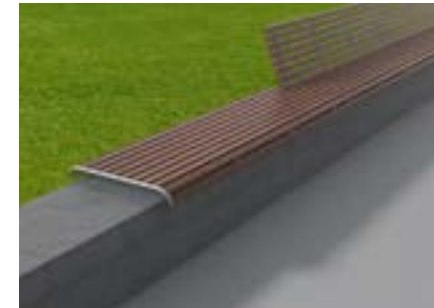


PORT – PQX312

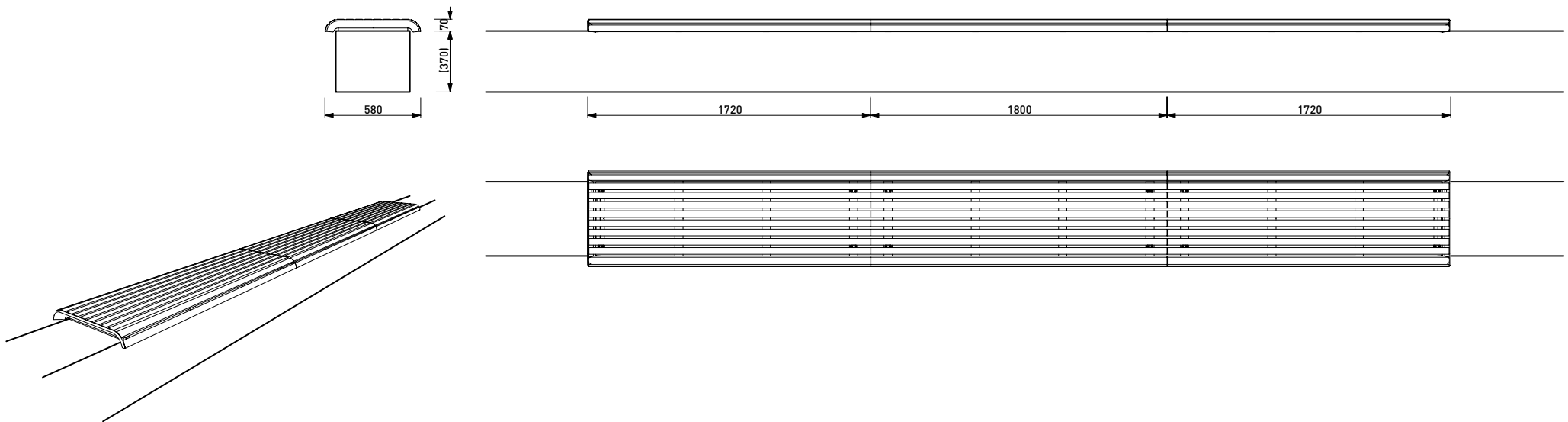
Bench on the wall without backrest, 0,58 m long

Versions:	PQX312r	robinia wood
	PQX312t	tropical wood
Structure type:	aluminium alloy casts and steel connector connected to wooden lamellas using stainless screw joints.	
Coating:	side sheet casts are supplied either without additional coating or are equipped with powder coating on request. The steel structure of the side plates is equipped with a protective layer of zinc and powder coating.	
Supporting frame:	aluminium alloy casts and bent steel connector.	
Seat:	8 lamellas made of massive wood with a square section.	
	4 round lamellas made of massive wood with a square section.	
Colour options:	shades of polyester powder coatings in the fine structure mat, standardly provided by mmicité.	
Anchoring:	anchoring in the wall using M10 threaded rods - see the anchoring drawing.	
	All street furniture elements must be properly anchored according to the producer's technical instructions. The manufacturer declines responsibility for any damages caused by careless use or by non-compliance with the instructions.	
Weight:	PQX312r	10,4 kg
	PQX312t	11,7 kg
Option:	coating side casts, shades of polyester powder coatings in the fine structure mat, standardly provided by mmicité. Other shades according to the RAL sampler are available on request	

PORT - PQX313/ PQX314



ILLUSTRATIVE PHOTO

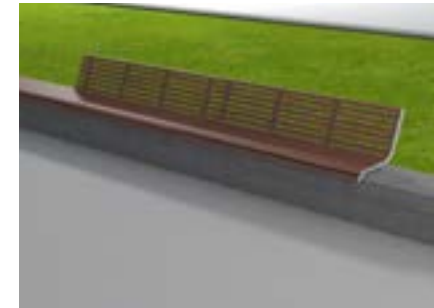


PORT – PQX313/ PQX314

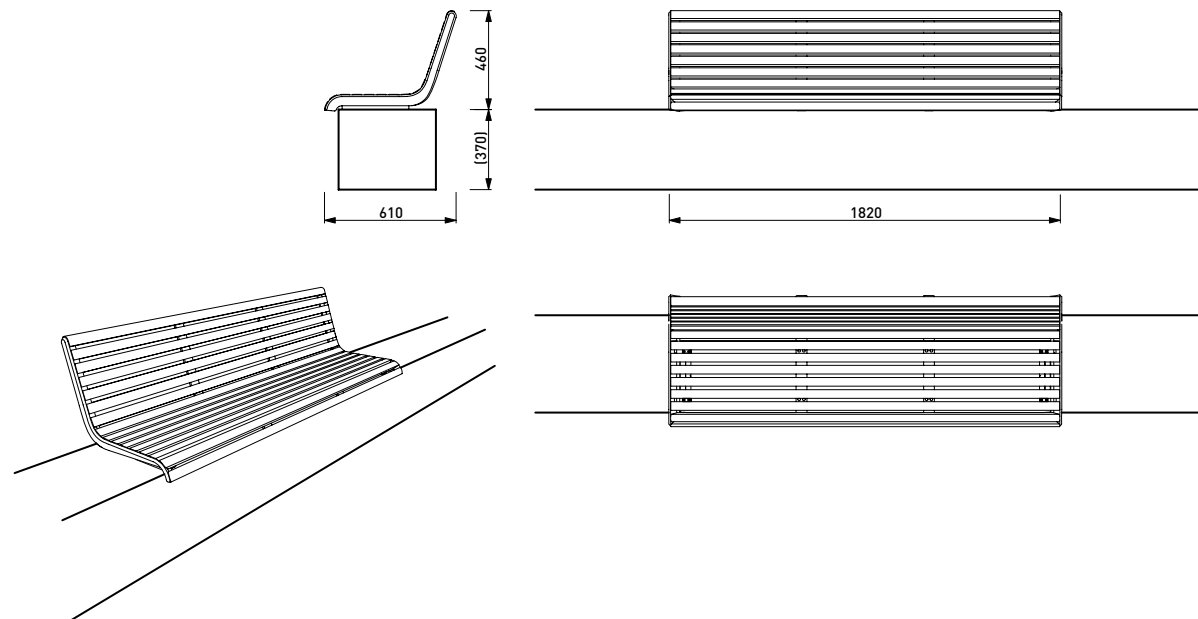
Set of bench on the wall without backrest, 5,24 m long

- Versions:** PQX313 / PQX314 / PQX313r acacia wood
PQX313 / PQX314 / PQX313t tropical wood
- Structure type:** aluminium alloy casts and steel connector connected to wooden lamellas using stainless screw joints.
- Coating:** side sheet casts are supplied either without additional coating or are equipped with powder coating on request. The steel structure of the side plates is equipped with a protective layer of zinc and powder coating.
- Supporting frame:** aluminium alloy casts and bent steel connector.
- Seat:** 3x8 lamellas made of massive wood with a square section.
3x4 round lamellas made of massive wood with a square section.
- Parts:** PQX313 – seat 1710 mm long.
PQX314 – seat 1800 mm long.
- Colour options:** shades of polyester powder coatings in the fine structure matt, standardly provided by mmicité.
- Anchoring:** anchoring in the wall using M10 threaded rods - see the anchoring drawing.
All street furniture elements must be properly anchored according to the producer's technical instructions. The manufacturer declines responsibility for any damages caused by careless use or by non-compliance with the instructions.
- Weight:**
- | | acacia [kg] | tropical [kg] |
|--------|-------------|---------------|
| PQX313 | 28 | 31,6 |
| PQX314 | 26,6 | 30,2 |
- Option:** coating side casts, shades of polyester powder coatings in the fine structure mat, standardly provided by mmicité. Other shades according to the RAL sampler are available on request

PORT - PQX351



ILLUSTRATIVE PHOTO



PORT – PQX351

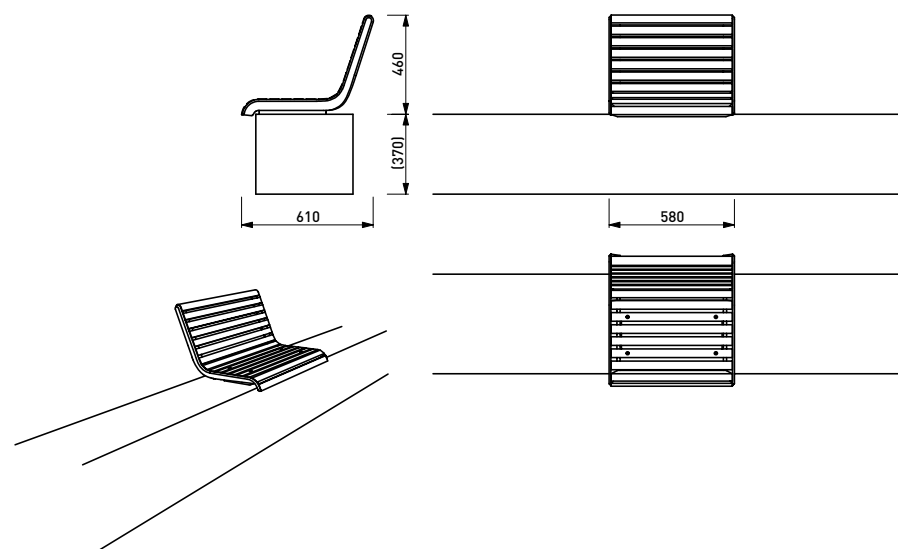
Bench on the wall with backrest, 1,82 m long

Versions:	PQX351r	robinia wood
	PQX351t	tropical wood
Structure type:	aluminium alloy casts and steel connector connected to wooden lamellas using stainless screw joints.	
Coating:	side sheet casts are supplied either without additional coating or are equipped with powder coating on request. The steel structure of the side plates is equipped with a protective layer of zinc and powder coating.	
Supporting frame:	aluminium alloy casts and bent steel connector.	
Seat:	7 lamellas made of massive wood with a square section. 2 round lamellas made of massive wood with a square section.	
Backrest:	6 lamellas made of massive wood with a square section. 1 lamella made of massive wood with a square section.	
Colour options:	shades of polyester powder coatings in the fine structure matt, standardly provided by mmicité.	
Anchoring:	anchoring in the wall using M10 threaded rods - see the anchoring drawing. All street furniture elements must be properly anchored according to the producer's technical instructions. The manufacturer declines responsibility for any damages caused by careless use or by non-compliance with the instructions.	
Weight:	PQX351r	40 kg
	PQX351t	45,3 kg
Option:	coating side casts, shades of polyester powder coatings in the fine structure mat, standardly provided by mmicité. Other shades according to the RAL sampler are available on request.	

PORT - PQX352



ILLUSTRATIVE PHOTO

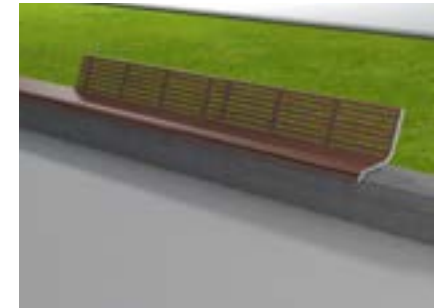


PORT – PQX352

Bench on the wall with backrest, 0,58 m long

Versions:	PQX352r	robinia wood
	PQX352t	tropical wood
Structure type:	aluminium alloy casts and steel connector connected to wooden lamellas using stainless screw joints.	
Coating:	side sheet casts are supplied either without additional coating or are equipped with powder coating on request. The steel structure of the side plates is equipped with a protective layer of zinc and powder coating.	
Supporting frame:	aluminium alloy casts and bent steel connector.	
Seat:	7 lamellas made of massive wood with a square section.	
	2 round lamellas made of massive wood with a square section.	
Backrest:	6 lamellas made of massive wood with a square section.	
	1 lamella made of massive wood with a square section	
Colour options:	shades of polyester powder coatings in the fine structure mat, standardly provided by mmicité.	
Anchoring:	anchoring in the wall using M10 threaded rods - see the anchoring drawing.	
	All street furniture elements must be properly anchored according to the producer's technical instructions. The manufacturer declines responsibility for any damages caused by careless use or by non-compliance with the instructions.	
Weight:	PQX352r	14,7 kg
	PQX352t	16,3 kg
Option:	coating side casts, shades of polyester powder coatings in the fine structure mat, standardly provided by mmicité. Other shades according to the RAL sampler are available on request.	

PORT - PQX353 / PQX354 / PQX355

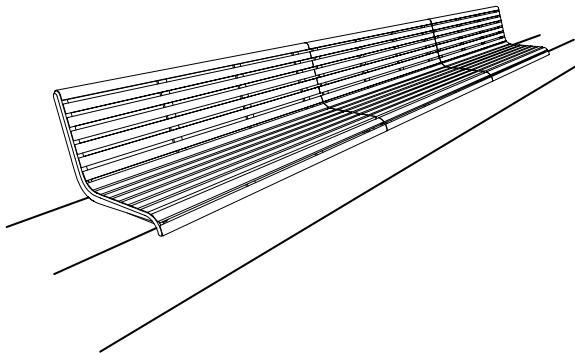
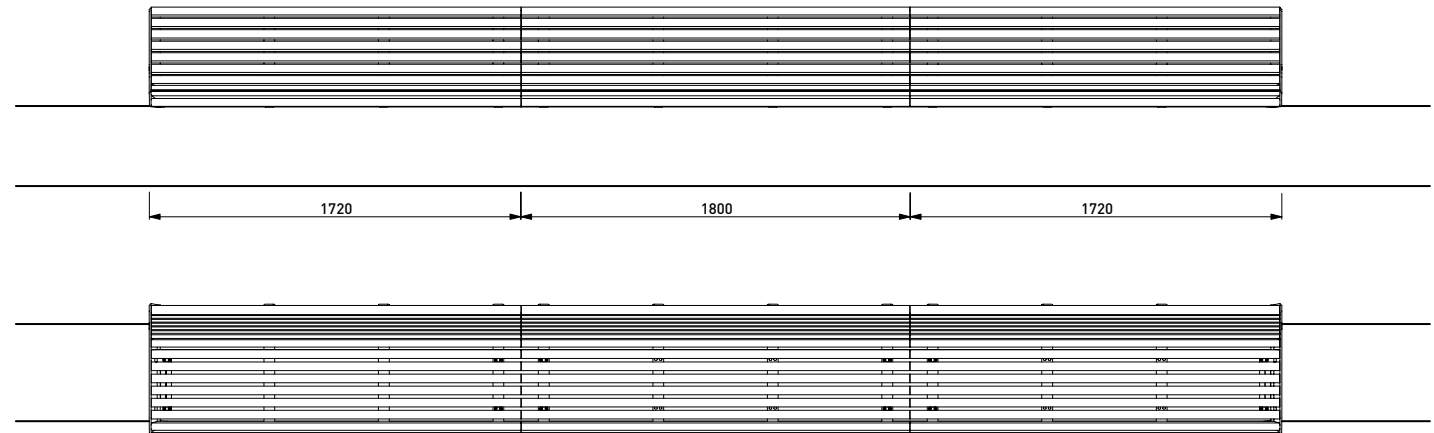
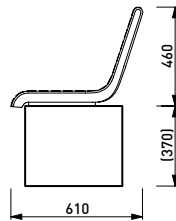


ILLUSTRATIVE PHOTO

PQA353

PQA354

PQA355



PORT – PQX353 / PQX354 / PQX355

Set of bench on the wall with backrest, 5 m long

- Versions:** PQX313 / PQX314 / PQX313r acacia wood
 PQX313 / PQX314 / PQX313t tropical wood
- Structure type:** aluminium alloy casts and steel connector connected to wooden lamellas using stainless screw joints.
- Coating:** side sheet casts are supplied either without additional coating or are equipped with powder coating on request.
- Supporting frame:** aluminium alloy casts and bent steel connector.
- Seat:** 3x7 lamellas made of massive wood with a square section.
 3x2 round lamellas made of massive wood with a square section.
- Backrest:** 3x6 lamellas made of massive wood with a square section.
 3x1 lamella made of massive wood with a square section.
- Parts:** PQX353 – seat 1710 mm long.
 PQX354 – seat 1800 mm long.
 PQX355 – seat 1710 mm long.
- Colour options:** shades of polyester powder coatings in the fine structure matt, standardly provided by mmcité.
- Anchoring:** anchoring in the wall using M10 threaded rods - see the anchoring drawing.

All street furniture elements must be properly anchored according to the producer's technical instructions. The manufacturer declines responsibility for any damages caused by careless use or by non-compliance with the instructions.

Weight:

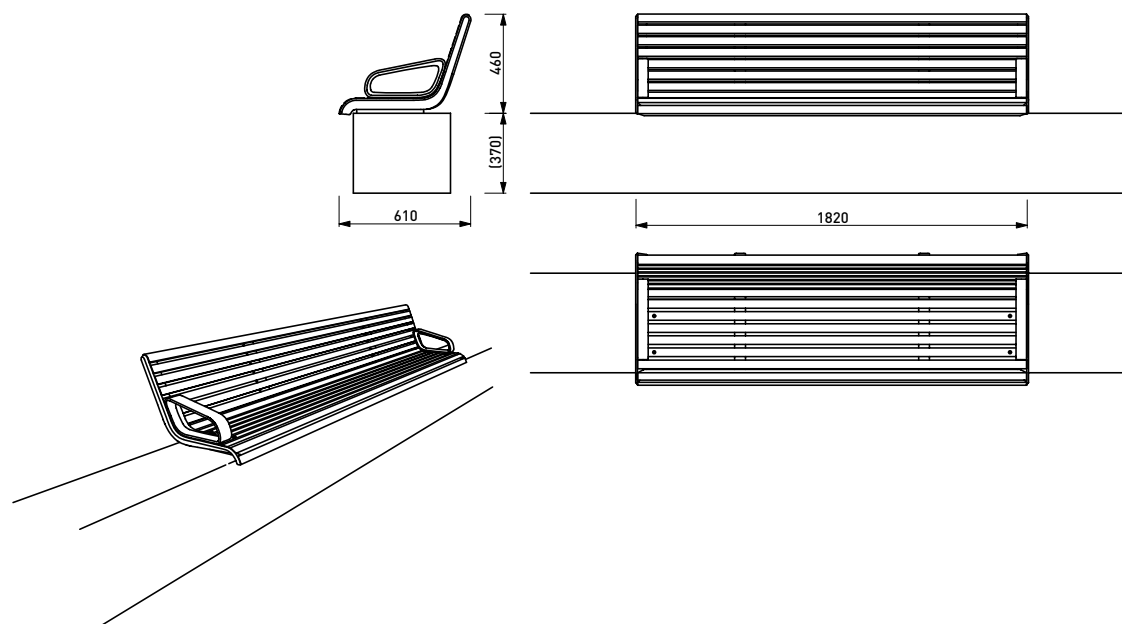
	acacia [kg]	tropical [kg]
PQX353	41,8	45,4
PQX354	37.8	41,4
PQX355	41	44,6

- Option:** coating side casts, shades of polyester powder coatings in the fine structure mat, standardly provided by mmcité.
 Other shades according to the RAL sampler are available on request

PORT - PQX356-02



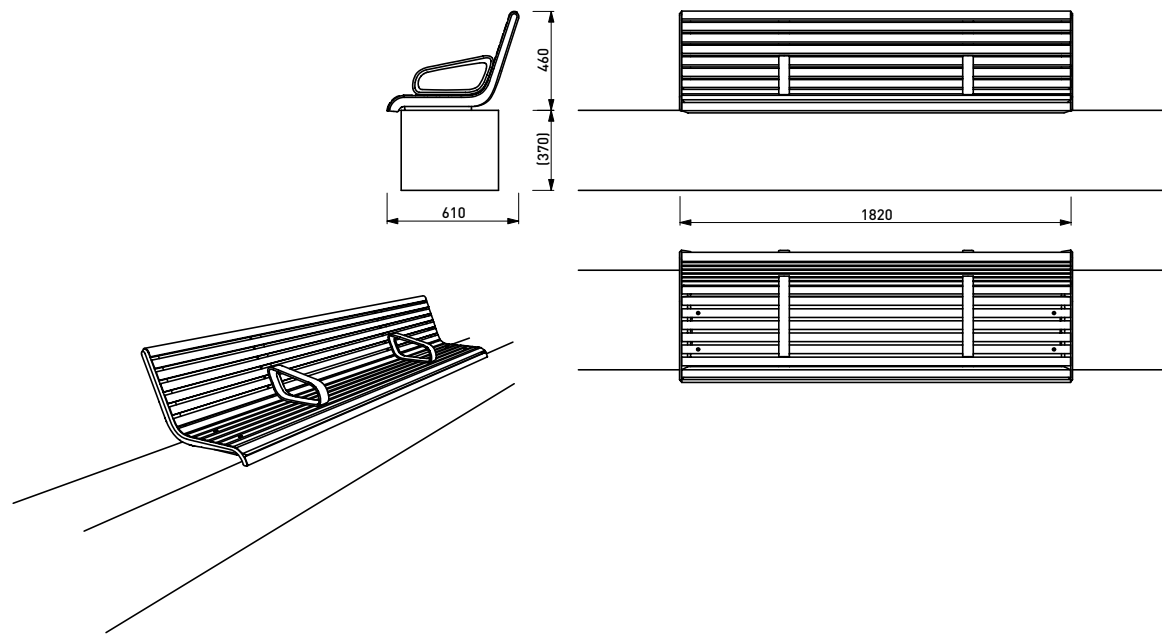
ILLUSTRATIVE PHOTO



PORT - PQX356-03



ILLUSTRATIVE PHOTO



PORT – PQX356

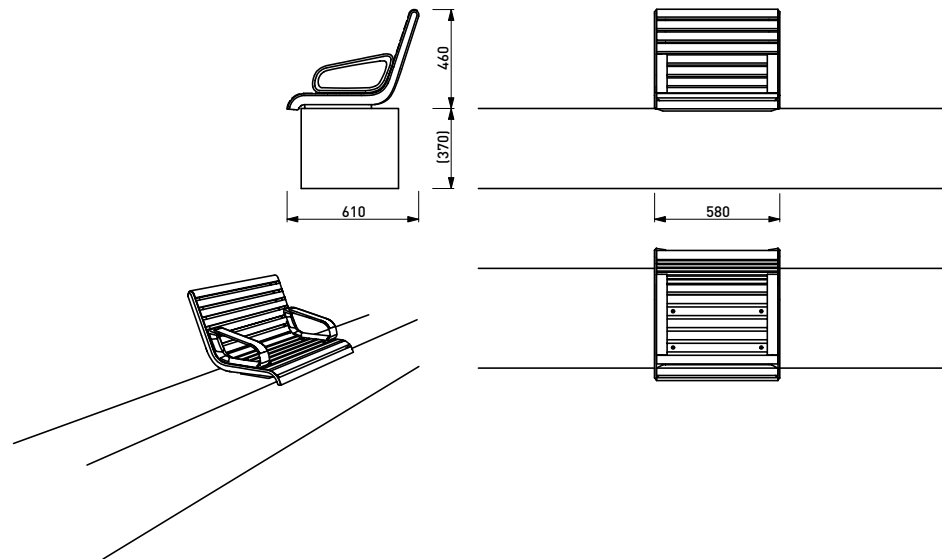
Bench on the wall with backrest and armrests, 1,82 m long

Versions:	PQX356-02r	robinia wood
	PQX356-02t	tropical wood
	PQX356-03r	robinia wood
	PQX356-03t	tropical wood
Structure type:	aluminium alloy casts and steel connector connected to wooden lamellas using stainless screw joints.	
Coating:	side sheet casts are supplied either without additional coating or are equipped with powder coating on request. The steel structure of the side plates is equipped with a protective layer of zinc and powder coating.	
Supporting frame:	aluminium alloy casts and bent steel connector.	
Seat:	7 lamellas made of massive wood with a square section.	
	2 round lamellas made of massive wood with a square section.	
Backrest:	6 lamellas made of massive wood with a square section.	
	1 lamella made of massive wood with a square section.	
Colour options:	shades of polyester powder coatings in the fine structure mat, standardly provided by mmcité.	
Anchoring:	anchoring in the wall using M10 threaded rods - see the anchoring drawing.	
	All street furniture elements must be properly anchored according to the producer's technical instructions. The manufacturer declines responsibility for any damages caused by careless use or by non-compliance with the instructions.	
Weight:	PQX356-02r	38 kg
	PQX356-02t	42,2 kg
	PQX356-03r	38,7 kg
	PQX356-03t	42,9 kg
Option:	coating side casts, shades of polyester powder coatings in the fine structure mat, standardly provided by mmcité. Other shades according to the RAL sampler are available on request.	

PORT - PQX357



ILLUSTRATIVE PHOTO



PORT – PQX357

Bench on the wall with backrest and armrests, 0,58 m long

Versions:	PQX357r	robinia wood
	PQX357t	tropical wood
Structure type:	aluminium alloy casts and steel connector connected to wooden lamellas using stainless screw joints.	
Coating:	side sheet casts are supplied either without additional coating or are equipped with powder coating on request. The steel structure of the side plates is equipped with a protective layer of zinc and powder coating.	
Supporting frame:	aluminium alloy casts and bent steel connector.	
Seat:	7 lamellas made of massive wood with a square section.	
	2 round lamellas made of massive wood with a square section.	
Backrest:	6 lamellas made of massive wood with a square section.	
	1 lamella made of massive wood with a square section	
Colour options:	shades of polyester powder coatings in the fine structure mat, standardly provided by mmicité.	
Anchoring:	anchoring in the wall using M10 threaded rods - see the anchoring drawing.	
	All street furniture elements must be properly anchored according to the producer's technical instructions. The manufacturer declines responsibility for any damages caused by careless use or by non-compliance with the instructions.	
Weight:	PQX357r	17 kg
	PQX357t	18,3 kg
Option:	coating side casts, shades of polyester powder coatings in the fine structure mat, standardly provided by mmicité. Other shades according to the RAL sampler are available on request.	