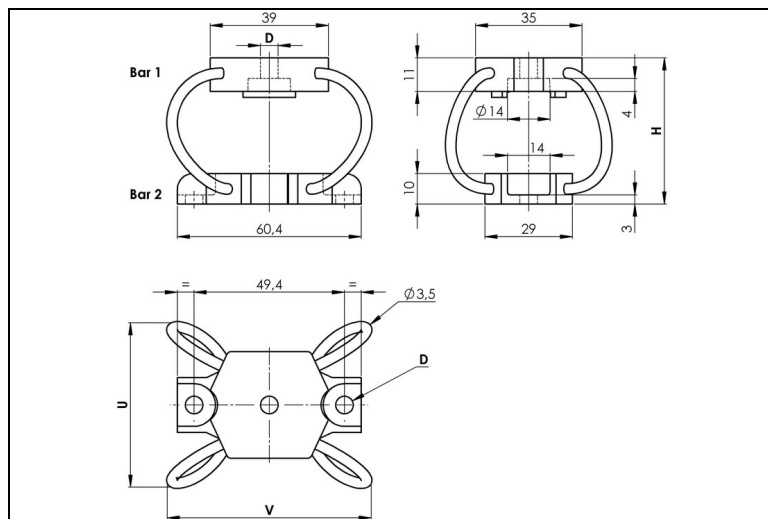


WIRE ROPE ISOLATOR: 'POLYCAL'

DEFINITION
series MP4



- All metal multidirectional anti-vibration/shock mounts
- Exceptional reliability and long life
- High damping
- No aging
- Corrosion resistant
- Unequalled temperature range: - 180°C to 300°C (- 290°F to 570°F)
- Great adaptability/versatility

Dimensions are in millimeters. For reference only

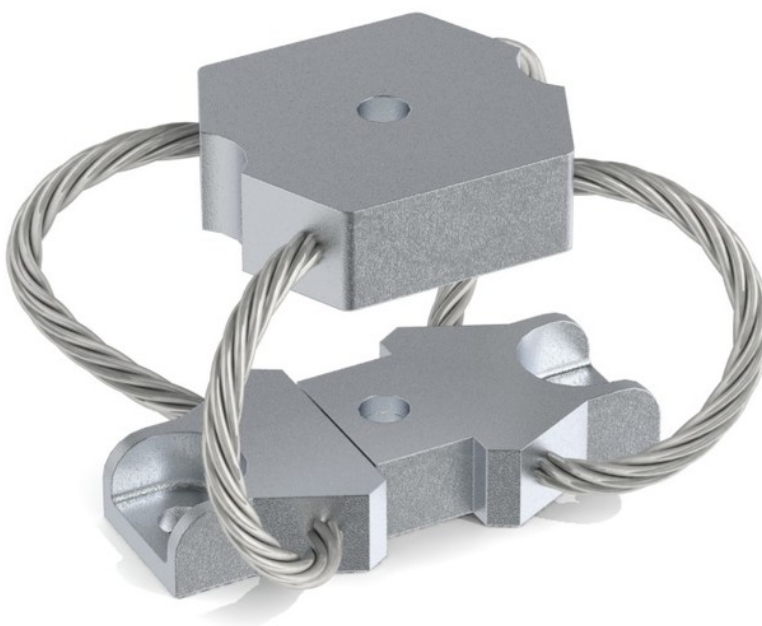
SERIES
Materials and finishes (meets RoHS requirements)
MP4
Cable: stainless steel
Retainer bars: aluminium alloy
Inserts: stainless steel

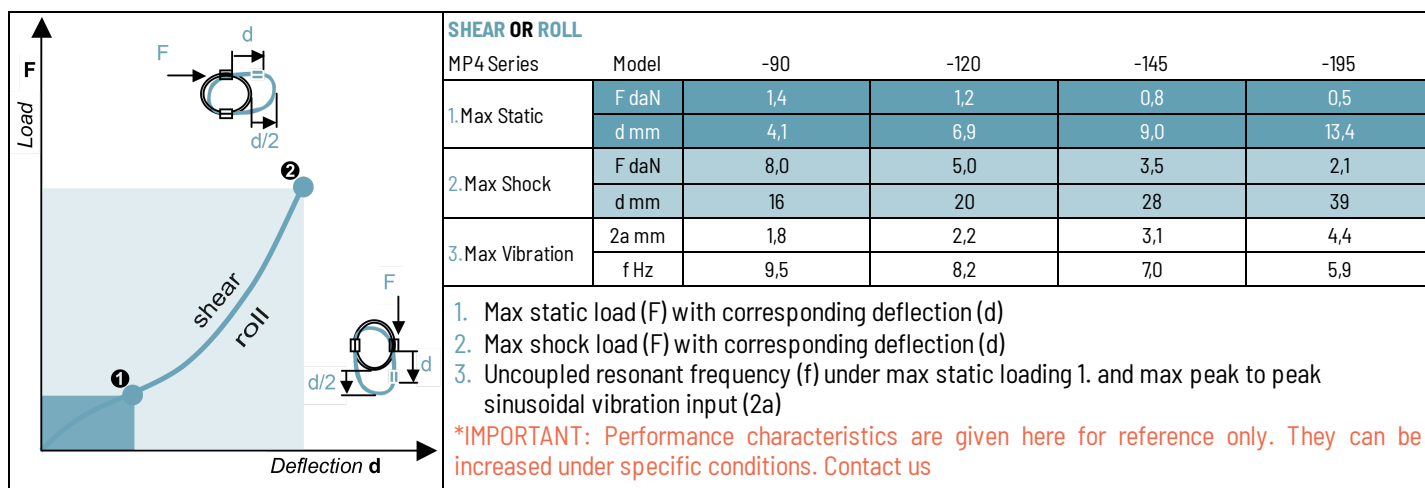
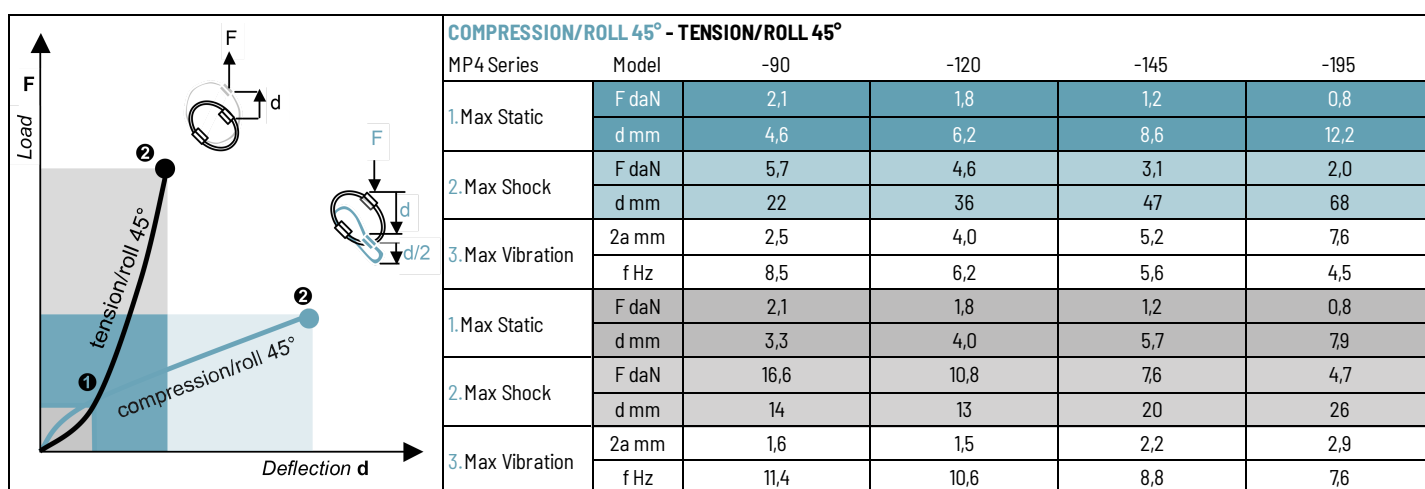
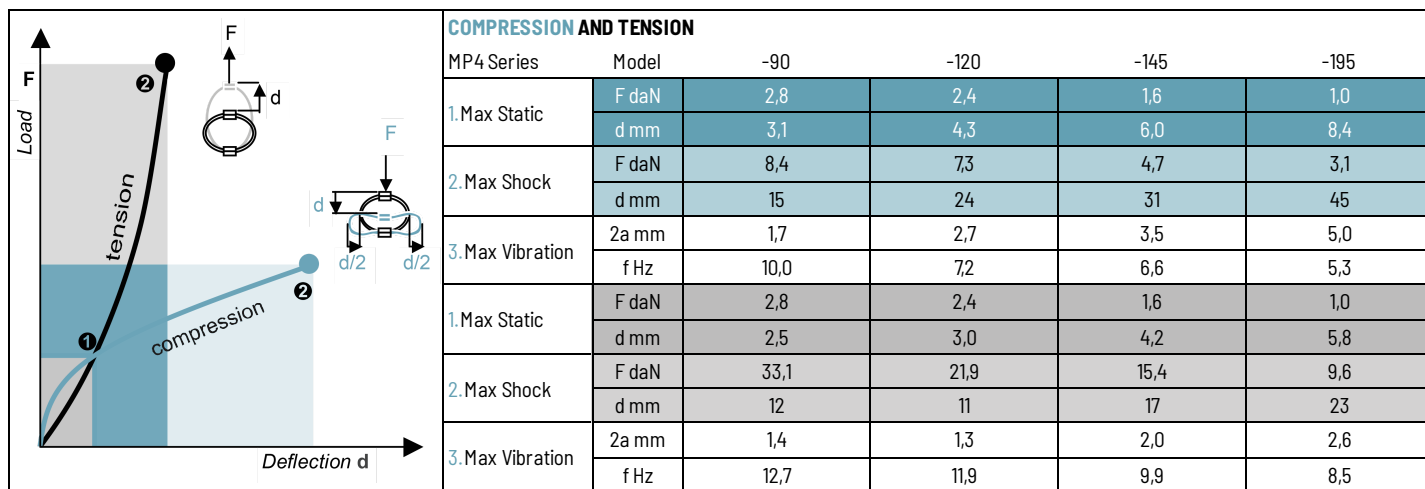
MODEL	height H (mm)	width U (mm)	width V (mm)	weight (kg)
-90	40	47	57	0,07
-120	48	53	64	0,07
-145	56	59	68	0,08
-195	72	69	80	0,09

INTERFACES	
fixtures holes D	
Bar 1	1 through hole ø5,8 mm (option: Insert M8)
Bar 2	2 through holes ø5,8 mm

M P 4 - 9 0

SERIE: MP4 MODEL: -90
 'Polycal' mount height: 40mm
 from the MP4 series width: 47mm
 weight: 0,07kg



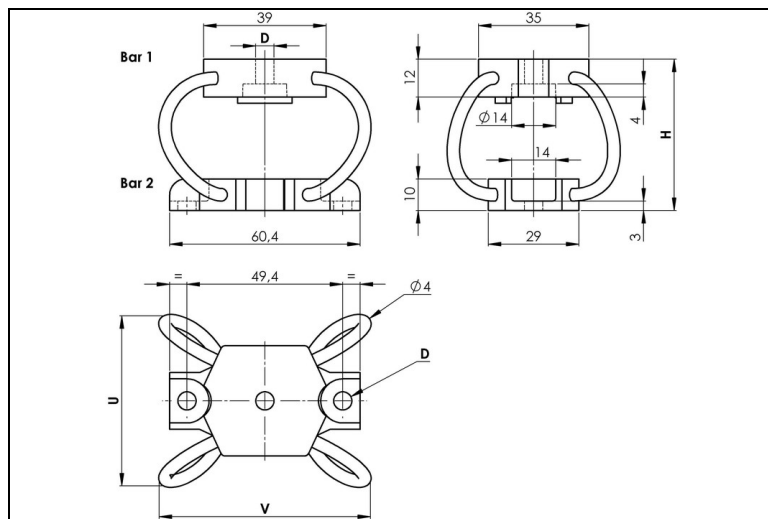


TYPICAL SHOCK/VIBRATION SPECIFICATIONS:

- Air** AIR 7306, MIL-E-5400, MIL-C-172, MIL-STD-810
- Ground Forces** GAM EG13A, SEFT 001, MIL-STD-810, VG 9533
- Marine** GAM EG13C, IT25-21/96-31/15-86, MIL-S-167, MIL-S-901, STANAG 042, BV 043.73, BV 044
- Others** GAM EMB1, GAM EMBT4, DEF STAN 07-55, IEC 571, FINABEL 2C

WIRE ROPE ISOLATOR: 'POLYCAL'

DEFINITION
series MP5



- All metal multidirectional anti-vibration/shock mounts
- Exceptional reliability and long life
- High damping
- No aging
- Corrosion resistant
- Unequalled temperature range: - 180°C to 300°C (- 290°F to 570°F)
- Great adaptability/versatility

Dimensions are in millimeters. For reference only

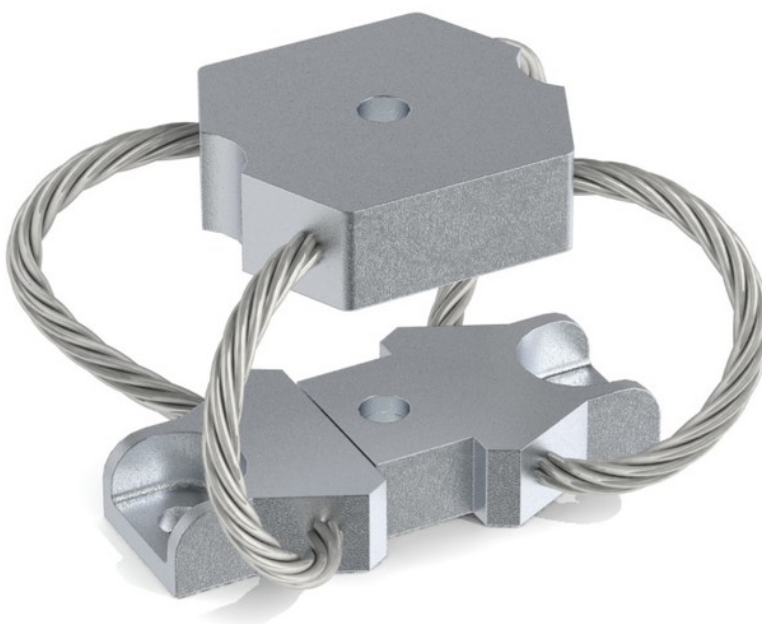
SERIES
Materials and finishes (meets RoHS requirements)
MP5
Cable: stainless steel
Retainer bars: aluminium alloy
Inserts: stainless steel

MODEL	height H (mm)	width U (mm)	width V (mm)	weight (kg)
-90	39	47	58	0,07
-120	48	54	67	0,08
-145	57	59	69	0,09
-195	73	69	81	0,10

INTERFACES	
fixtures holes D	
Bar 1	1 through hole \varnothing 5,8 mm (option: Insert M8)
Bar 2	2 through holes \varnothing 5,8 mm

M P 5 - 9 0

SERIE: MP5 MODEL: -90
 'Polycal' mount height: 39mm
 from the MP5 series width: 47mm
 weight: 0,07kg



COMPRESSION AND TENSION		MP5 Series	Model	-90	-120	-145	-195
1. Max Static	F daN			4,9	3,6	2,8	1,8
	d mm			2,9	4,8	6,0	8,4
2. Max Shock	F daN			14,7	10,7	8,3	5,5
	d mm			15	24	31	45
3. Max Vibration	2a mm			1,7	2,7	3,5	5,0
	f Hz			10,0	76	6,6	5,3
1. Max Static	F daN			4,9	3,6	2,8	1,8
	d mm			2,5	3,4	4,2	5,8
2. Max Shock	F daN			57,4	36,2	26,9	16,9
	d mm			12	15	17	23
3. Max Vibration	2a mm			1,4	1,7	2,0	2,6
	f Hz			12,8	11,0	9,9	8,5

COMPRESSION/ROLL 45° - TENSION/ROLL 45°		MP5 Series	Model	-90	-120	-145	-195
1. Max Static	F daN			3,7	2,7	2,1	1,4
	d mm			4,6	6,8	8,5	12,1
2. Max Shock	F daN			9,9	70	5,4	3,5
	d mm			22	36	47	68
3. Max Vibration	2a mm			2,5	4,0	5,2	7,6
	f Hz			8,5	6,5	5,6	4,6
1. Max Static	F daN			3,7	2,7	2,1	1,4
	d mm			3,3	4,6	5,7	7,8
2. Max Shock	F daN			28,8	18,0	13,3	8,3
	d mm			14	17	20	26
3. Max Vibration	2a mm			1,6	1,9	2,2	2,9
	f Hz			11,4	9,8	8,9	7,6

SHEAR OR ROLL		MP5 Series	Model	-90	-120	-145	-195
1. Max Static	F daN			2,5	1,8	1,4	0,9
	d mm			4,1	6,8	8,9	13,3
2. Max Shock	F daN			14,1	8,5	6,2	3,8
	d mm			16	22	28	39
3. Max Vibration	2a mm			1,8	2,5	3,1	4,4
	f Hz			9,5	79	70	5,9

1. Max static load (F) with corresponding deflection (d)
 2. Max shock load (F) with corresponding deflection (d)
 3. Uncoupled resonant frequency (f) under max static loading 1. and max peak to peak sinusoidal vibration input (2a)

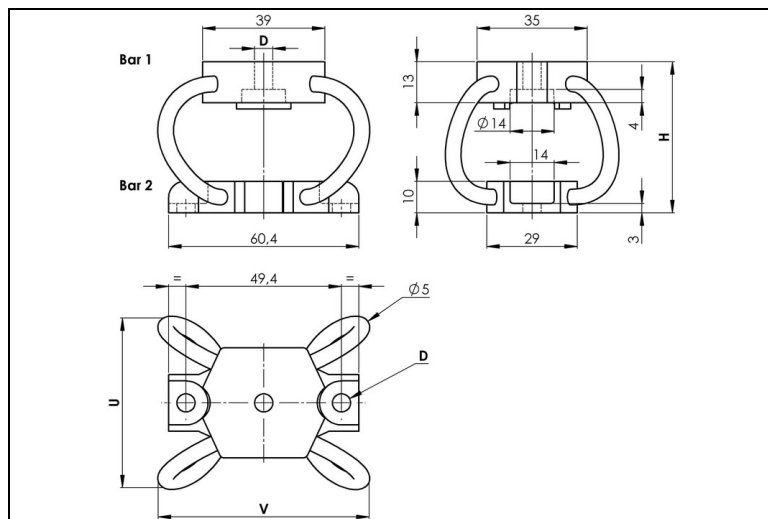
***IMPORTANT:** Performance characteristics are given here for reference only. They can be increased under specific conditions. Contact us

TYPICAL SHOCK/VIBRATION SPECIFICATIONS:

Air	AIR 7306, MIL-E-5400, MIL-C-172, MIL-STD-810
Ground Forces	GAM EG13A, SEFT 001, MIL-STD-810, VG 9533
Marine	GAM EG13C, IT25-21/96-31/15-86, MIL-S-167, MIL-S-901, STANAG 042, BV 043.73, BV 044
Others	GAM EMB1, GAM EMBT4, DEF STAN 07-55, IEC 571, FINABEL 2C

WIRE ROPE ISOLATOR: 'POLYCAL'

DEFINITION
series MP6



- All metal multidirectional anti-vibration/shock mounts
- Exceptional reliability and long life
- High damping
- No aging
- Corrosion resistant
- Unequalled temperature range: - 180°C to 300°C (- 290°F to 570°F)
- Great adaptability/versatility

Dimensions are in millimeters. For reference only

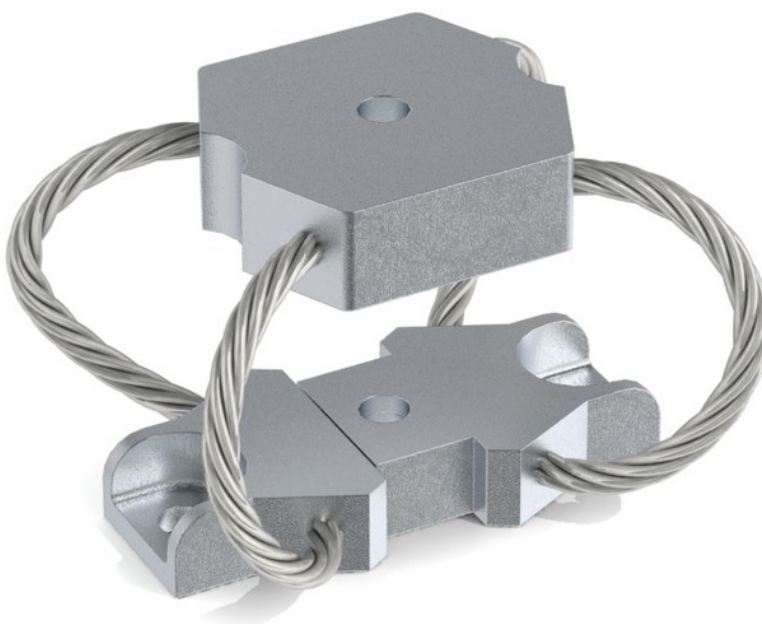
SERIES
Materials and finishes (meets RoHS requirements)
MP6
Cable: stainless steel
Retainer bars: aluminium alloy
Inserts: stainless steel

MODEL	height H (mm)	width U (mm)	width V (mm)	weight (kg)
-90	40	48	60	0,08
-120	50	56	67	0,09
-145	58	60	70	0,10
-195	74	70	82	0,11

INTERFACES	
fixtures holes D	
Bar 1	1 through hole \varnothing 5,8 mm (option: Insert M8)
Bar 2	2 through holes \varnothing 5,8 mm

M P 6 - 9 0

SERIE: MP6 MODEL: -90
 'Polycal' mount height: 40mm
 from the MP6 series width: 48mm
 weight: 0,08kg



COMPRESSION AND TENSION		MP6 Series	Model	-90	-120	-145	-195
1. Max Static	F daN			11,4	8,9	7,0	4,6
	d mm			2,6	4,7	6,0	8,4
2. Max Shock	F daN			34,2	26,8	21,0	13,9
	d mm			15	24	31	45
3. Max Vibration	2a mm			1,7	2,7	3,5	5,0
	f Hz			10,2	7,6	6,6	5,3
1. Max Static	F daN			11,4	8,9	7,0	4,6
	d mm			2,6	3,4	4,2	5,8
2. Max Shock	F daN			140	90,5	67,6	42,5
	d mm			13	15	17	23
3. Max Vibration	2a mm			1,5	1,7	2,0	2,6
	f Hz			12,4	11,0	9,9	8,5

COMPRESSION/ROLL 45° - TENSION/ROLL 45°		MP6 Series	Model	-90	-120	-145	-195
1. Max Static	F daN			8,5	6,7	5,2	3,5
	d mm			4,6	6,7	8,4	11,9
2. Max Shock	F daN			23,2	17,5	13,6	8,9
	d mm			22	36	47	68
3. Max Vibration	2a mm			2,5	4,0	5,2	7,6
	f Hz			8,6	6,5	5,6	4,6
1. Max Static	F daN			8,5	6,7	5,2	3,5
	d mm			3,4	4,5	5,6	7,7
2. Max Shock	F daN			70,8	45,0	33,5	21,0
	d mm			15	17	20	26
3. Max Vibration	2a mm			1,7	1,9	2,2	2,9
	f Hz			11,1	9,8	8,9	7,6

SHEAR OR ROLL		MP6 Series	Model	-90	-120	-145	-195
1. Max Static	F daN			5,7	4,5	3,5	2,3
	d mm			4,1	6,7	8,8	13,2
2. Max Shock	F daN			34,8	21,4	15,6	9,6
	d mm			17	22	28	39
3. Max Vibration	2a mm			1,9	2,5	3,1	4,4
	f Hz			9,4	7,9	7,0	5,9

1. Max static load (F) with corresponding deflection (d)
 2. Max shock load (F) with corresponding deflection (d)
 3. Uncoupled resonant frequency (f) under max static loading 1. and max peak to peak sinusoidal vibration input (2a)

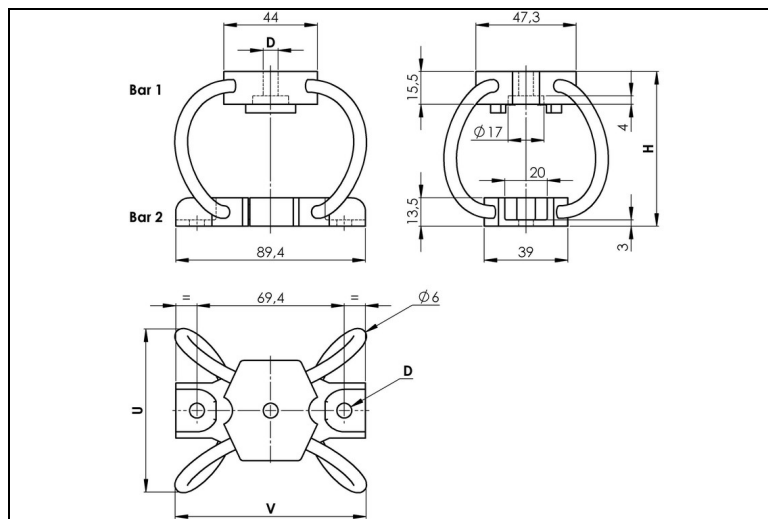
***IMPORTANT:** Performance characteristics are given here for reference only. They can be increased under specific conditions. Contact us

TYPICAL SHOCK/VIBRATION SPECIFICATIONS:

Air	AIR 7306, MIL-E-5400, MIL-C-172, MIL-STD-810
Ground Forces	GAM EG13A, SEFT 001, MIL-STD-810, VG 9533
Marine	GAM EG13C, IT25-21/96-31/15-86, MIL-S-167, MIL-S-901, STANAG 042, BV 043.73, BV 044
Others	GAM EMB1, GAM EMBT4, DEF STAN 07-55, IEC 571, FINABEL 2C

WIRE ROPE ISOLATOR: 'POLYCAL'

DEFINITION
series MP8



- All metal multidirectional anti-vibration/shock mounts
- Exceptional reliability and long life
- High damping
- No aging
- Corrosion resistant
- Unequalled temperature range: - 180°C to 300°C (- 290°F to 570°F)
- Great adaptability/versatility

Dimensions are in millimeters. For reference only

SERIES
Materials and finishes (meets RoHS requirements)
MP8
Cable: stainless steel
Retainer bars: aluminium alloy
Inserts: stainless steel

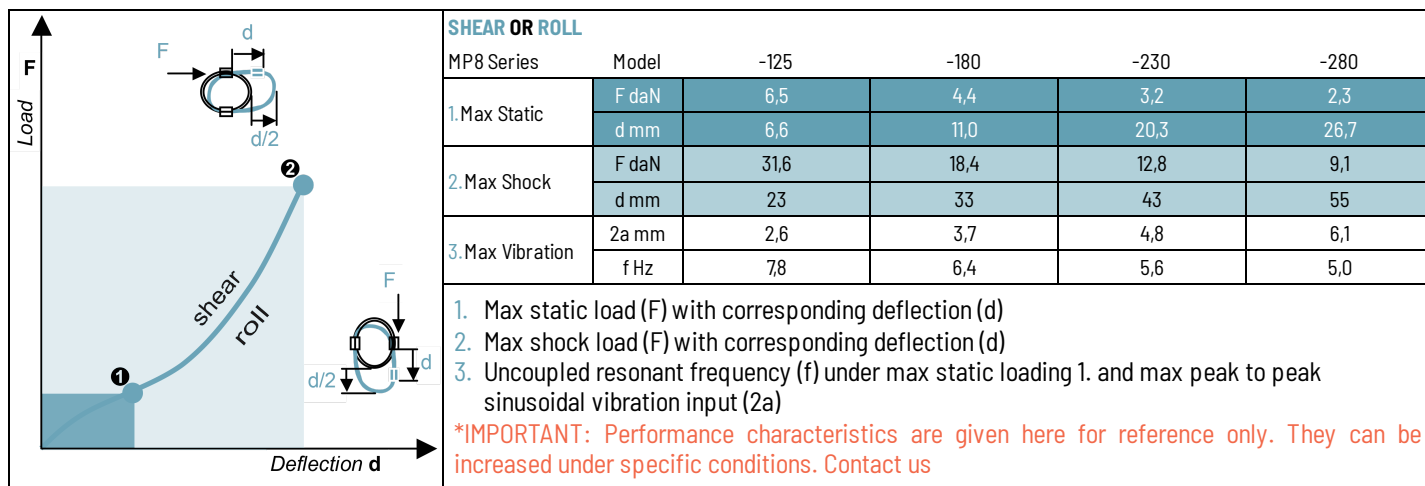
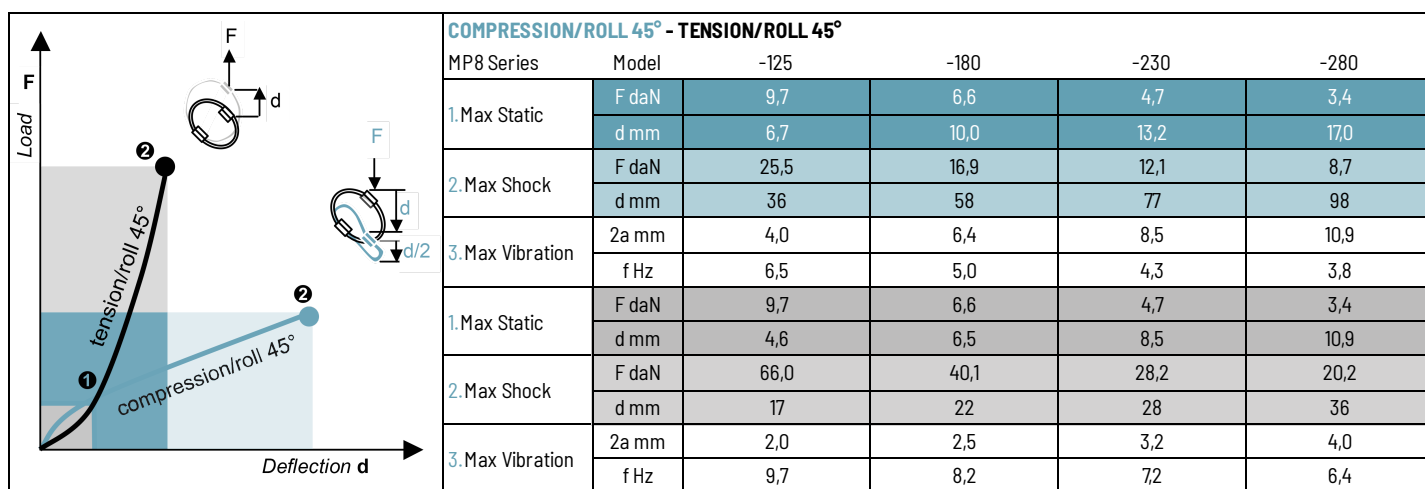
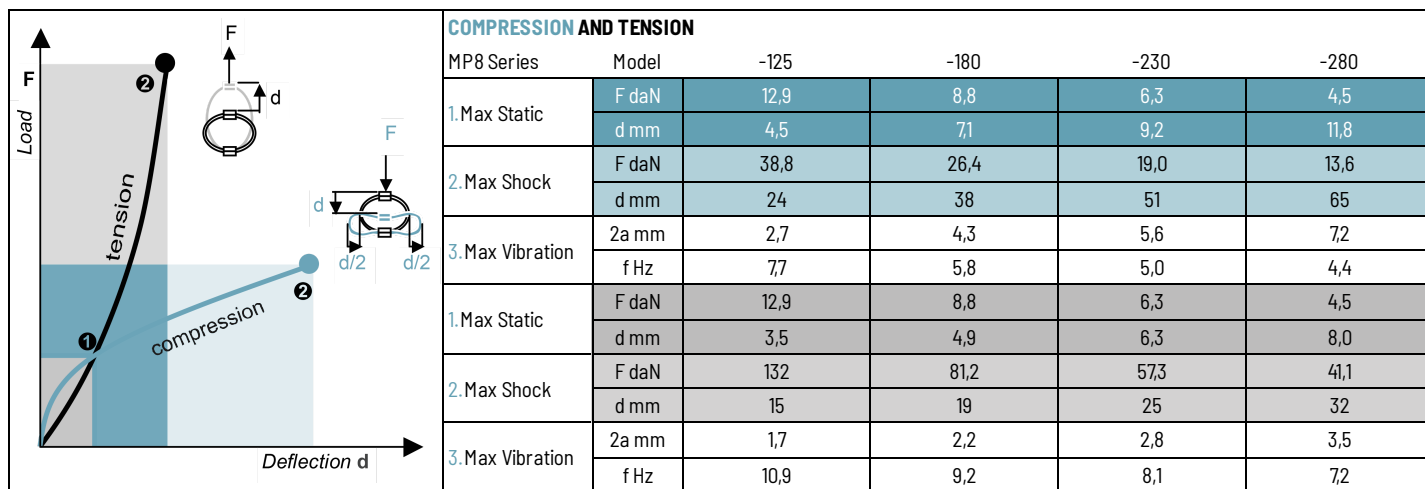
MODEL	height H (mm)	width U (mm)	width V (mm)	weight (kg)
-125	56	60	82	0,18
-180	72	78	90	0,20
-230	86	86	103	0,22
-280	102	97	111	0,23

INTERFACES	
fixtures holes D	
Bar 1	1 through hole $\varnothing 7$ mm (option: Insert M10)
Bar 2	2 through holes $\varnothing 7$ mm

M P 8 - 1 2 5

SERIE: MP8 MODEL: -125
 'Polycal' mount height: 56mm
 from the MP8 series width: 60mm
 weight: 0,18kg



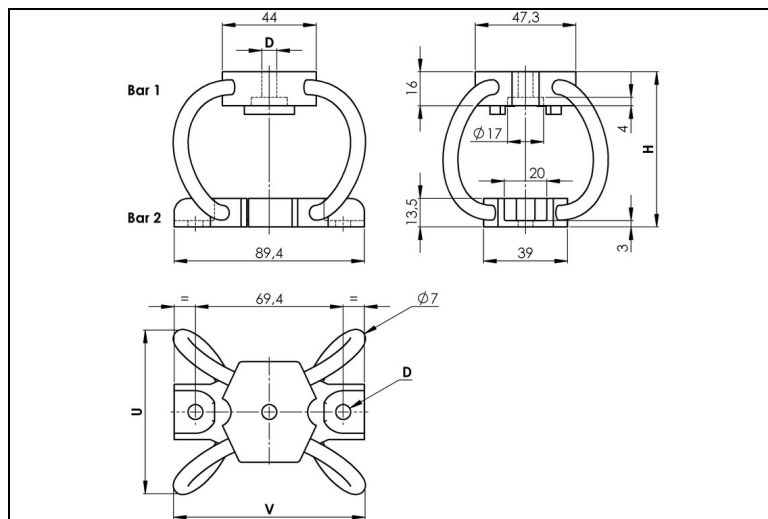


TYPICAL SHOCK/VIBRATION SPECIFICATIONS:

- Air** AIR 7306, MIL-E-5400, MIL-C-172, MIL-STD-810
- Ground Forces** GAM EG13A, SEFT 001, MIL-STD-810, VG 9533
- Marine** GAM EG13C, IT25-21/96-31/15-86, MIL-S-167, MIL-S-901, STANAG 042, BV 043.73, BV 044
- Others** GAM EMB1, GAM EMBT4, DEF STAN 07-55, IEC 571, FINABEL 2C

WIRE ROPE ISOLATOR: 'POLYCAL'

DEFINITION
series MP9



- All metal multidirectional anti-vibration/shock mounts
- Exceptional reliability and long life
- High damping
- No aging
- Corrosion resistant
- Unequalled temperature range: - 180°C to 300°C (- 290°F to 570°F)
- Great adaptability/versatility

Dimensions are in millimeters. For reference only

SERIES
Materials and finishes (meets RoHS requirements)
MP9
Cable: stainless steel
Retainer bars: aluminium alloy
Inserts: stainless steel

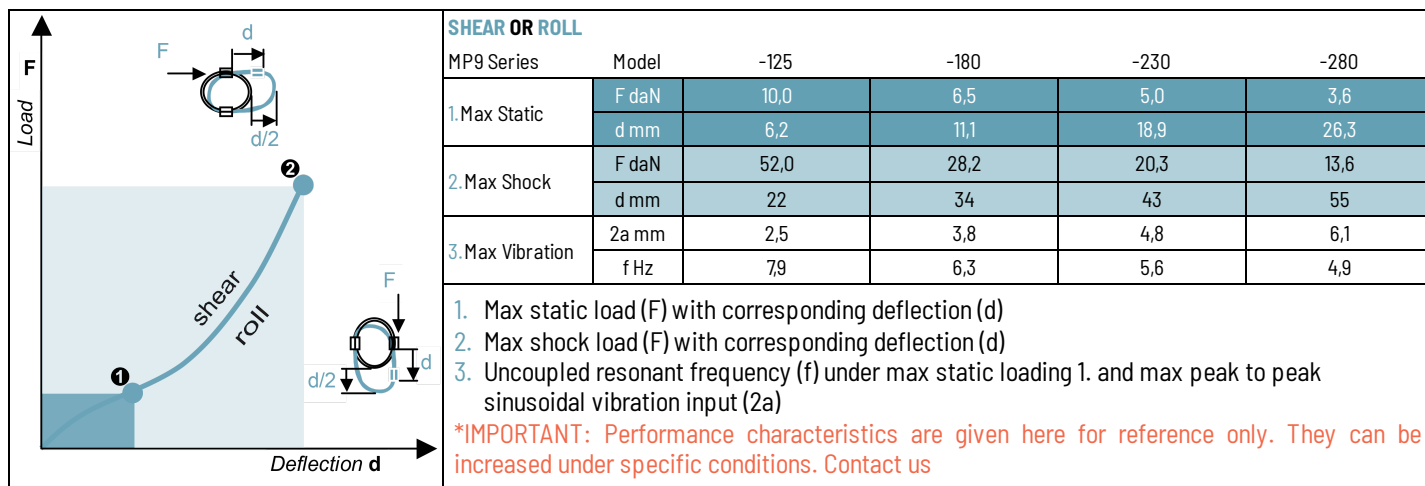
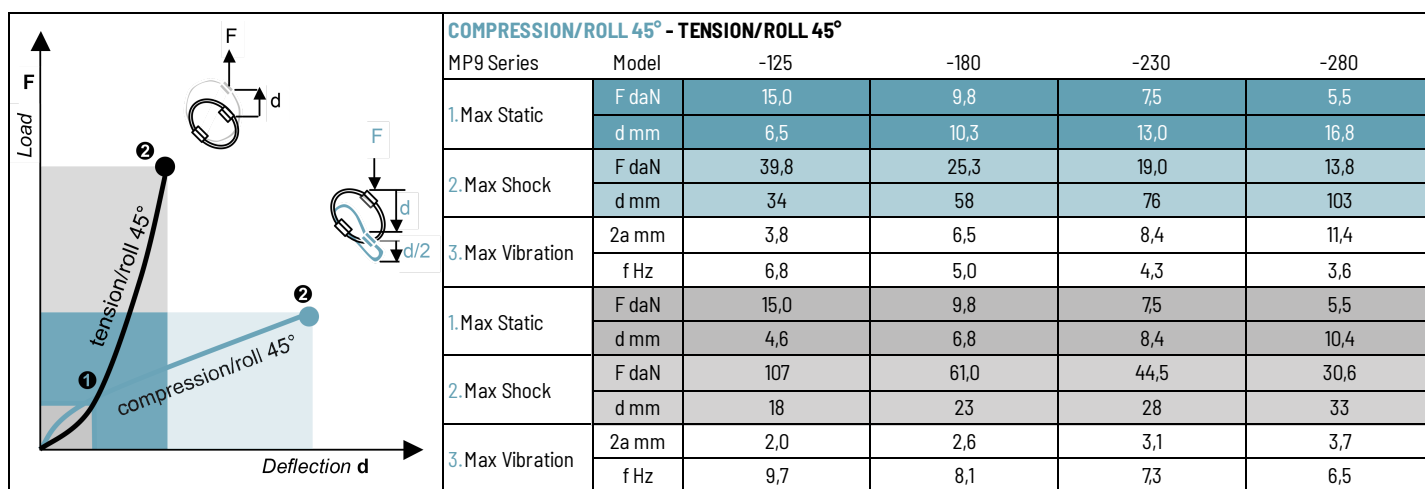
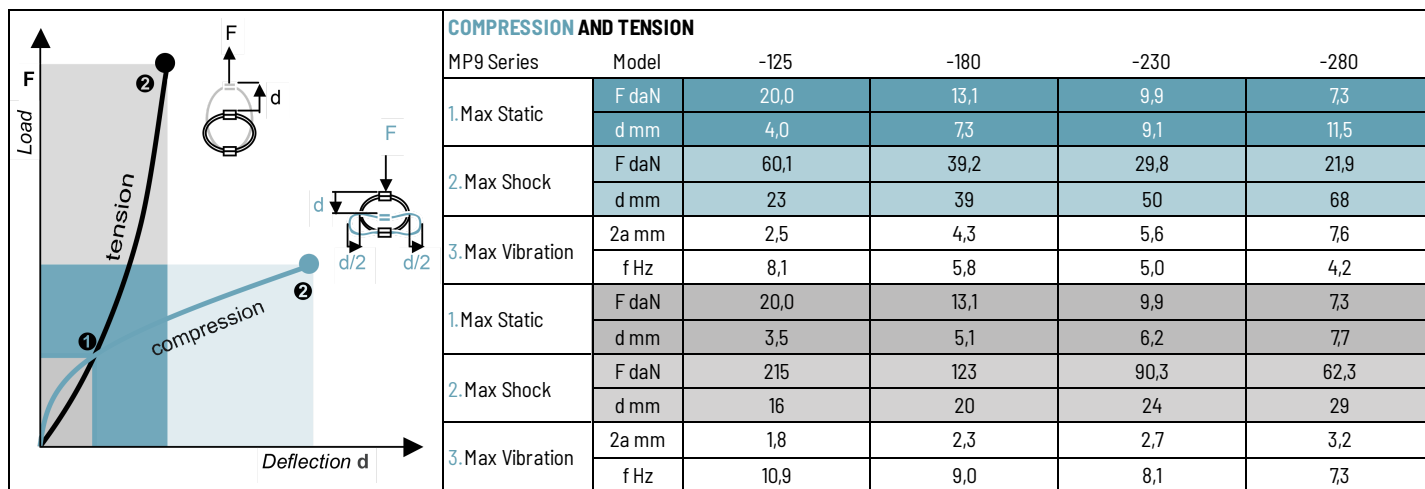
MODEL	height H (mm)	width U (mm)	width V (mm)	weight (kg)
-125	55	65	79	0,20
-180	73	77	90	0,23
-230	86	85	102	0,26
-280	106	97	114	0,29

INTERFACES	
fixtures holes D	
Bar 1	1 through hole $\varnothing 7$ mm (option: Insert M10)
Bar 2	2 through holes $\varnothing 7$ mm

M P 9 - 1 2 5

SERIE: MP9 MODEL: -125
 'Polycal' mount height: 55mm
 from the MP9 series width: 65mm
 weight: 0,20kg



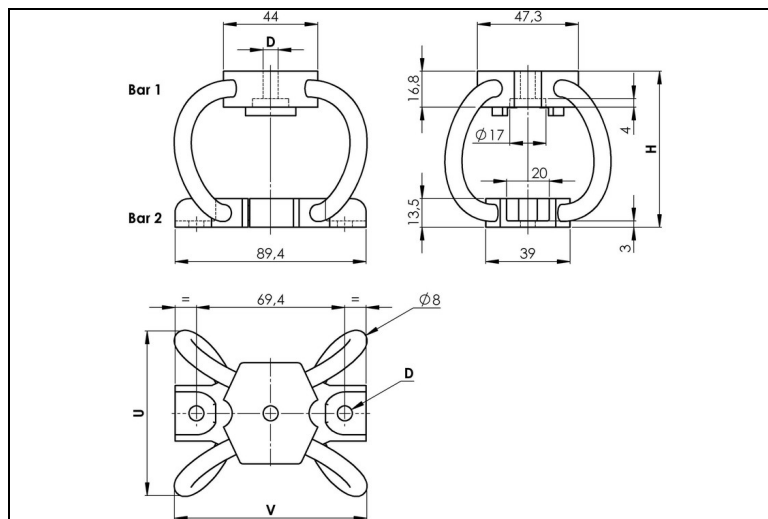


TYPICAL SHOCK/VIBRATION SPECIFICATIONS:

- Air** AIR 7306, MIL-E-5400, MIL-C-172, MIL-STD-810
- Ground Forces** GAM EG13A, SEFT 001, MIL-STD-810, VG 9533
- Marine** GAM EG13C, IT25-21/96-31/15-86, MIL-S-167, MIL-S-901, STANAG 042, BV 043.73, BV 044
- Others** GAM EMB1, GAM EMBT4, DEF STAN 07-55, IEC 571, FINABEL 2C

WIRE ROPE ISOLATOR: 'POLYCAL'

DEFINITION
series MP10



- All metal multidirectional anti-vibration/shock mounts
- Exceptional reliability and long life
- High damping
- No aging
- Corrosion resistant
- Unequalled temperature range: - 180°C to 300°C (- 290°F to 570°F)
- Great adaptability/versatility

Dimensions are in millimeters. For reference only

SERIES
Materials and finishes (meets RoHS requirements)
MP10
Cable: stainless steel
Retainer bars: aluminium alloy
Inserts: stainless steel

MODEL	height H (mm)	width U (mm)	width V (mm)	weight (kg)
-125	55	65	82	0,22
-145	62	71	89	0,23
-180	74	79	93	0,25
-230	87	86	103	0,26
-280	104	99	116	0,28

INTERFACES	
fixtures holes D	
Bar 1	1 through hole ø7 mm (option: Insert M10)
Bar 2	2 through holes ø7 mm

M P 1 0 - 1 2 5

SERIE: MP10
'Polycal' mount from the MP10 series

MODEL: -125
height: 55mm
width: 65mm
weight: 0,22kg



		COMPRESSION AND TENSION					
MP10 Series	Model	-125	-145	-180	-230	-280	
1. Max Static	F daN	33,9	28,0	22,7	17,8	12,5	
	d mm	3,5	4,9	7,4	9,1	11,8	
2. Max Shock	F daN	101	84,1	68,2	53,2	37,6	
	d mm	22	28	39	51	66	
3. Max Vibration	2a mm	2,5	3,2	4,3	5,6	7,3	
	f Hz	8,4	7,2	5,8	5,0	4,4	
1. Max Static	F daN	33,9	28,0	22,7	17,8	12,5	
	d mm	3,5	4,3	5,2	6,2	8,1	
2. Max Shock	F daN	386	301	216	160	113	
	d mm	17	19	21	24	32	
3. Max Vibration	2a mm	1,9	2,2	2,4	2,7	3,5	
	f Hz	10,7	9,8	9,0	8,2	7,2	

		COMPRESSION/ROLL 45° - TENSION/ROLL 45°					
MP10 Series	Model	-125	-145	-180	-230	-280	
1. Max Static	F daN	25,5	21,0	17,1	13,3	9,4	
	d mm	6,5	8,1	10,3	12,9	16,9	
2. Max Shock	F daN	68,3	55,8	44,1	34,0	24,0	
	d mm	33	42	59	76	99	
3. Max Vibration	2a mm	3,7	4,7	6,5	8,4	11,0	
	f Hz	7,0	6,1	5,0	4,3	3,8	
1. Max Static	F daN	25,5	21,0	17,1	13,3	9,4	
	d mm	4,6	5,6	6,9	8,3	10,9	
2. Max Shock	F daN	193	150	107	79,1	55,7	
	d mm	19	22	24	28	36	
3. Max Vibration	2a mm	2,2	2,5	2,7	3,1	4,0	
	f Hz	9,6	8,7	8,0	7,3	6,4	

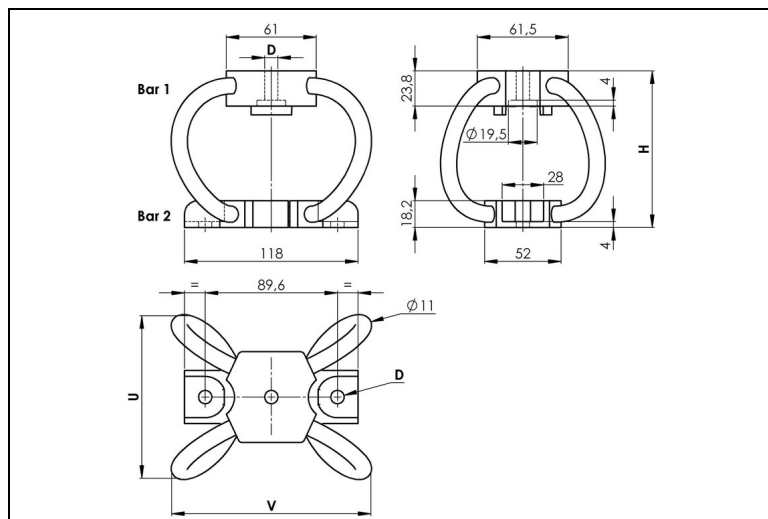
		SHEAR OR ROLL					
MP10 Series	Model	-125	-145	-180	-230	-280	
1. Max Static	F daN	17,0	14,0	11,4	8,9	6,3	
	d mm	6,0	7,8	11,0	18,4	28,9	
2. Max Shock	F daN	94,4	71,8	49,9	36,0	25,2	
	d mm	23	28	35	43	56	
3. Max Vibration	2a mm	2,6	3,1	3,9	4,8	6,2	
	f Hz	7,9	7,1	6,3	5,6	4,9	
<ol style="list-style-type: none"> 1. Max static load (F) with corresponding deflection (d) 2. Max shock load (F) with corresponding deflection (d) 3. Uncoupled resonant frequency (f) under max static loading 1. and max peak to peak sinusoidal vibration input (2a) <p>*IMPORTANT: Performance characteristics are given here for reference only. They can be increased under specific conditions. Contact us</p>							

TYPICAL SHOCK/VIBRATION SPECIFICATIONS:

Air	AIR 7306, MIL-E-5400, MIL-C-172, MIL-STD-810
Ground Forces	GAM EG13A, SEFT 001, MIL-STD-810, VG 9533
Marine	GAM EG13C, IT25-21/96-31/15-86, MIL-S-167, MIL-S-901, STANAG 042, BV 043.73, BV 044
Others	GAM EMB1, GAM EMBT4, DEF STAN 07-55, IEC 571, FINABEL 2C

WIRE ROPE ISOLATOR: 'POLYCAL'

DEFINITION
series MP11



- All metal multidirectional anti-vibration/shock mounts
- Exceptional reliability and long life
- High damping
- No aging
- Corrosion resistant
- Unequalled temperature range: - 180°C to 300°C (- 290°F to 570°F)
- Great adaptability/versatility

Dimensions are in millimeters. For reference only

SERIES
Materials and finishes (meets RoHS requirements)
MP11
Cable: stainless steel
Retainer bars: aluminium alloy
Inserts: stainless steel

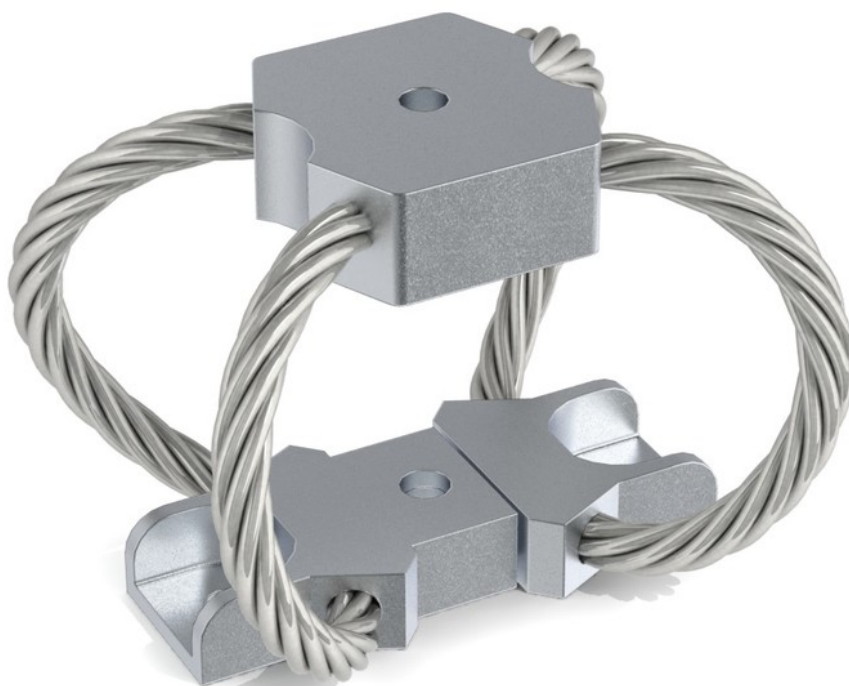
MODEL	height H (mm)	width U (mm)	width V (mm)	weight (kg)
-175	75	88	114	0,58
-200	84	91	122	0,60
-235	92	99	128	0,62
-270	106	110	135	0,66
-345	127	127	147	0,73

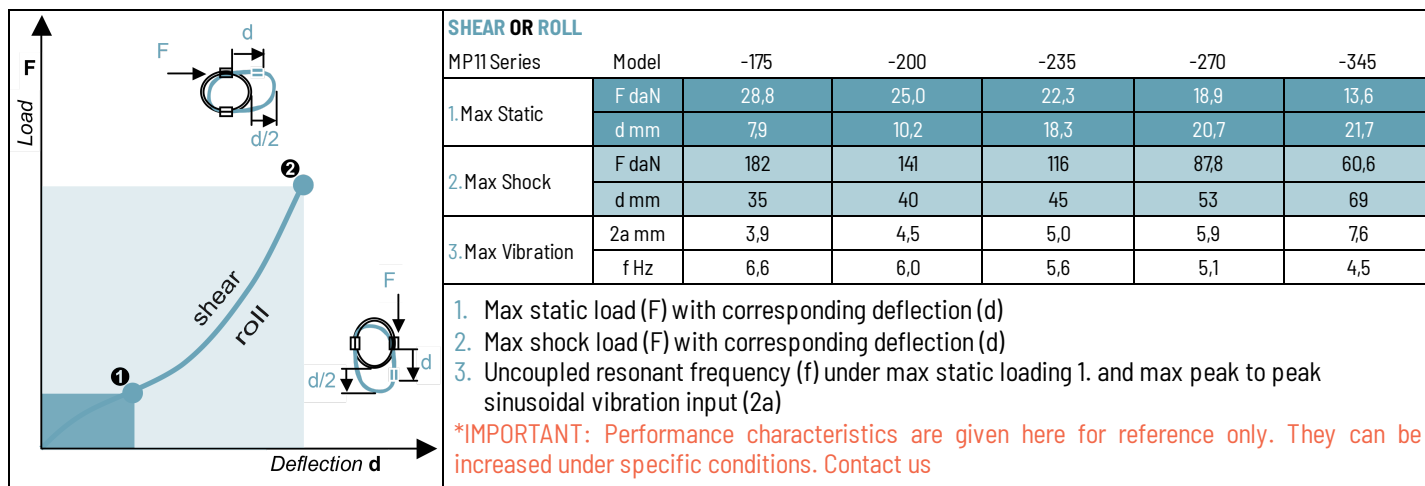
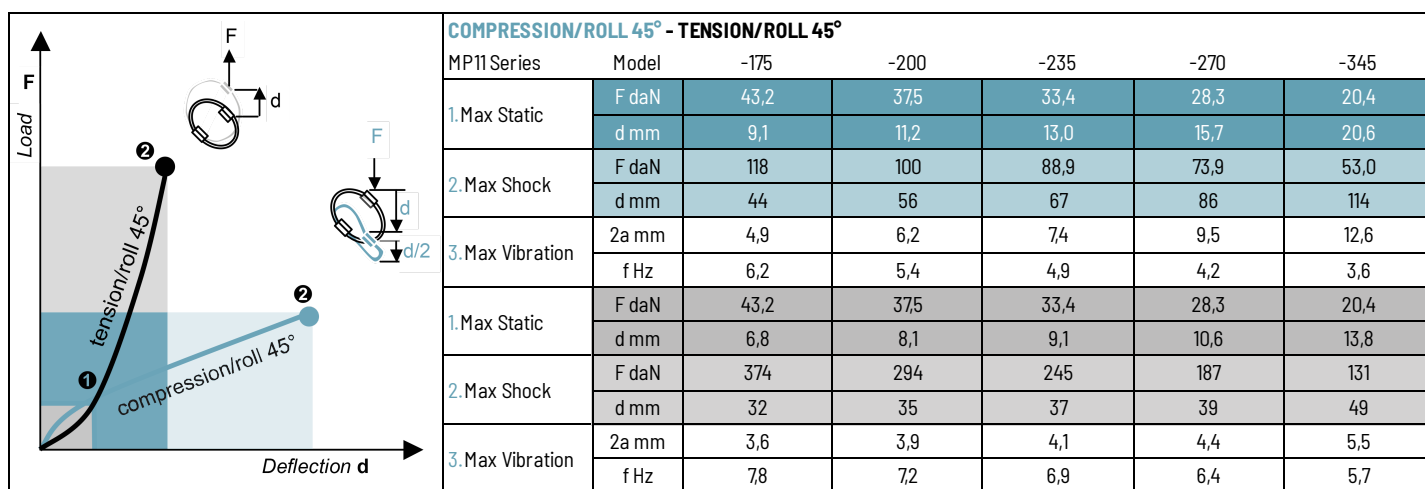
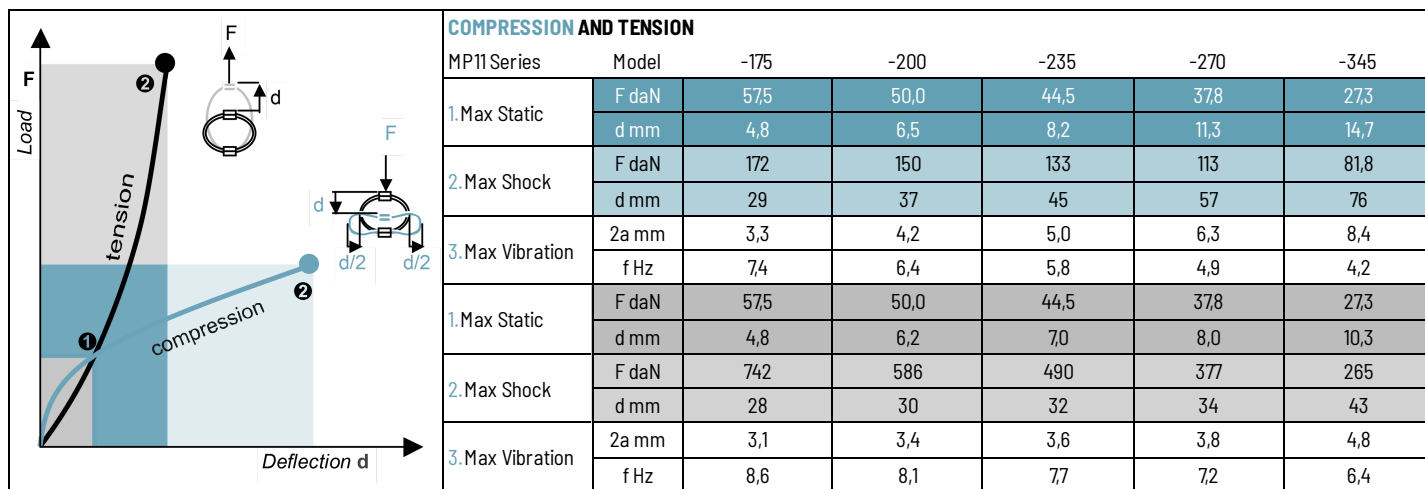
INTERFACES	
fixtures holes D	
Bar 1	1 through hole ø9 mm (option: Insert M12)
Bar 2	2 through holes ø9 mm

M P 1 1 - 1 7 5

SERIE: MP11
'Polycal' mount from the
MP11 series

MODEL: -175
height: 75mm
width: 88mm
weight: 0,58kg



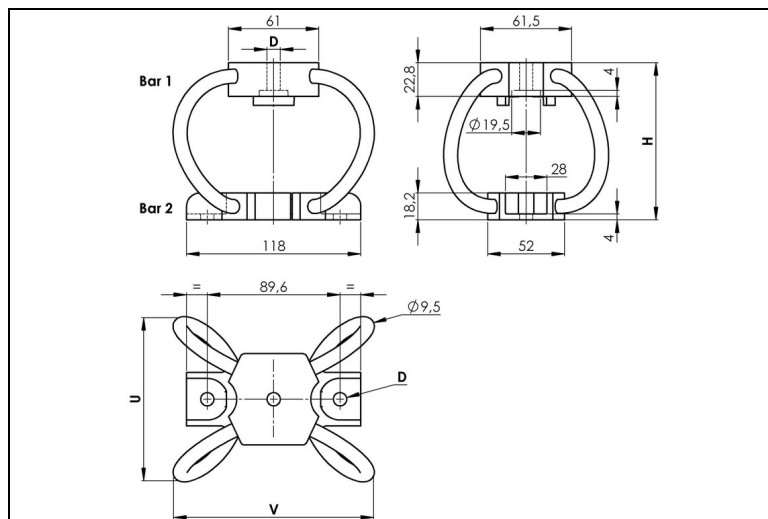


TYPICAL SHOCK/VIBRATION SPECIFICATIONS:

- Air** AIR 7306, MIL-E-5400, MIL-C-172, MIL-STD-810
- Ground Forces** GAM EG13A, SEFT 001, MIL-STD-810, VG 9533
- Marine** GAM EG13C, IT25-21/96-31/15-86, MIL-S-167, MIL-S-901, STANAG 042, BV 043.73, BV 044
- Others** GAM EMB1, GAM EMBT4, DEF STAN 07-55, IEC 571, FINABEL 2C

WIRE ROPE ISOLATOR: 'POLYCAL'

DEFINITION
series MP13



- All metal multidirectional anti-vibration/shock mounts
- Exceptional reliability and long life
- High damping
- No aging
- Corrosion resistant
- Unequalled temperature range: - 180°C to 300°C (- 290°F to 570°F)
- Great adaptability/versatility

Dimensions are in millimeters. For reference only

SERIES
Materials and finishes (meets RoHS requirements)
MP13
Cable: stainless steel
Retainer bars: aluminium alloy
Inserts: stainless steel

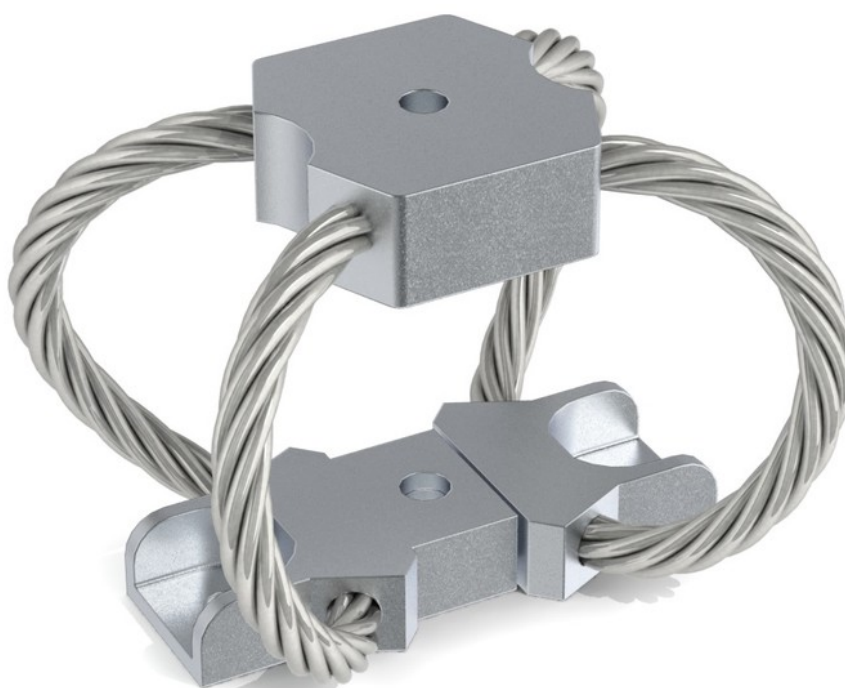
MODEL	height H (mm)	width U (mm)	width V (mm)	weight (kg)
-175	77	90	116	0,53
-200	84	91	122	0,54
-235	90	96	125	0,56
-270	102	106	135	0,58
-345	128	128	146	0,65

INTERFACES	
fixtures holes D	
Bar 1	1 through hole ø9 mm (option: Insert M12)
Bar 2	2 through holes ø9 mm

M P 1 3 - 1 7 5

SERIE: MP13
'Polycal' mount from the
MP13 series

MODEL: -175
height: 77mm
width: 90mm
weight: 0,53kg



		COMPRESSION AND TENSION					
MP13 Series	Model	-175	-200	-235	-270	-345	
1. Max Static	F daN	34,1	27,7	25,4	22,0	15,4	
	d mm	5,7	7,3	8,7	11,1	14,9	
2. Max Shock	F daN	102	83,2	76,1	66,1	46,3	
	d mm	32	38	44	54	78	
3. Max Vibration	2a mm	3,6	4,3	4,8	6,0	8,6	
	f Hz	70	6,3	5,8	5,1	4,1	
1. Max Static	F daN	34,1	27,7	25,4	22,0	15,4	
	d mm	5,3	6,4	7,0	7,9	10,4	
2. Max Shock	F daN	400	328	286	227	148	
	d mm	26	32	33	35	43	
3. Max Vibration	2a mm	2,9	3,5	3,7	3,9	4,8	
	f Hz	8,8	8,0	7,6	7,2	6,3	

		COMPRESSION/ROLL 45° - TENSION/ROLL 45°					
MP13 Series	Model	-175	-200	-235	-270	-345	
1. Max Static	F daN	25,6	20,8	19,0	16,5	11,6	
	d mm	9,6	11,6	12,9	15,4	21,0	
2. Max Shock	F daN	68,8	56,0	50,8	43,3	29,9	
	d mm	48	58	66	82	117	
3. Max Vibration	2a mm	5,4	6,4	7,3	9,1	12,9	
	f Hz	5,8	5,3	5,0	4,3	3,5	
1. Max Static	F daN	25,6	20,8	19,0	16,5	11,6	
	d mm	7,0	8,4	9,2	10,5	14,0	
2. Max Shock	F daN	201	164	143	113	73,4	
	d mm	30	36	38	40	49	
3. Max Vibration	2a mm	3,3	4,0	4,2	4,4	5,5	
	f Hz	7,8	7,1	6,8	6,5	5,6	

		SHEAR OR ROLL					
MP13 Series	Model	-175	-200	-235	-270	-345	
1. Max Static	F daN	17,0	13,9	12,7	11,0	7,7	
	d mm	8,7	10,6	12,1	21,2	22,4	
2. Max Shock	F daN	97,7	78,9	68,2	53,1	33,8	
	d mm	35	42	46	52	70	
3. Max Vibration	2a mm	3,9	4,7	5,1	5,8	7,7	
	f Hz	6,5	6,0	5,7	5,2	4,5	

1. Max static load (F) with corresponding deflection (d)
 2. Max shock load (F) with corresponding deflection (d)
 3. Uncoupled resonant frequency (f) under max static loading 1. and max peak to peak sinusoidal vibration input (2a)

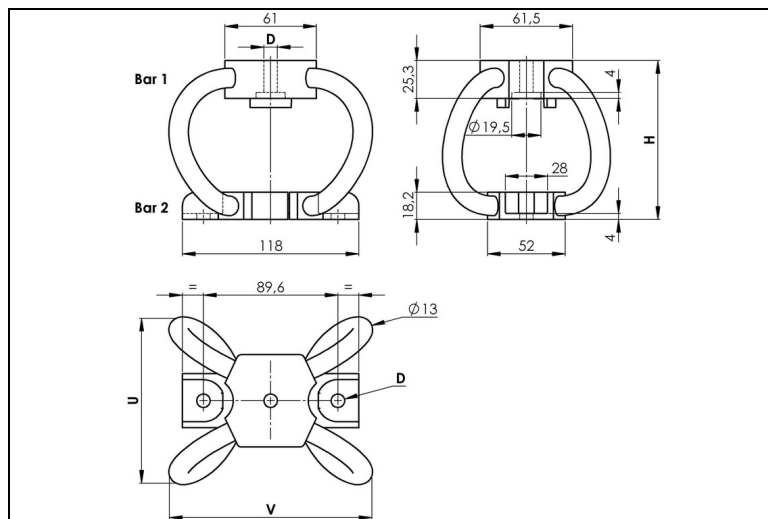
***IMPORTANT:** Performance characteristics are given here for reference only. They can be increased under specific conditions. Contact us

TYPICAL SHOCK/VIBRATION SPECIFICATIONS:

Air	AIR 7306, MIL-E-5400, MIL-C-172, MIL-STD-810
Ground Forces	GAM EG13A, SEFT 001, MIL-STD-810, VG 9533
Marine	GAM EG13C, IT25-21/96-31/15-86, MIL-S-167, MIL-S-901, STANAG 042, BV 043.73, BV 044
Others	GAM EMB1, GAM EMBT4, DEF STAN 07-55, IEC 571, FINABEL 2C

WIRE ROPE ISOLATOR: 'POLYCAL'

DEFINITION
series MP14



- All metal multidirectional anti-vibration/shock mounts
- Exceptional reliability and long life
- High damping
- No aging
- Corrosion resistant
- Unequalled temperature range: - 180°C to 300°C (- 290°F to 570°F)
- Great adaptability/versatility

Dimensions are in millimeters. For reference only

SERIES
Materials and finishes (meets RoHS requirements)
MP14
Cable: stainless steel
Retainer bars: aluminium alloy
Inserts: stainless steel

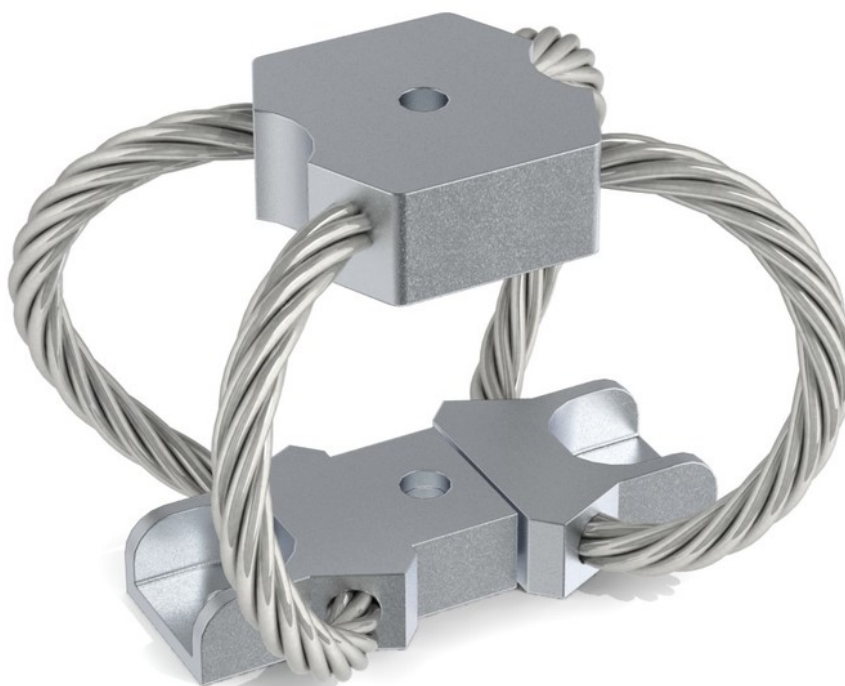
MODEL	height H (mm)	width U (mm)	width V (mm)	weight (kg)
-175	77	93	114	0,60
-200	85	97	121	0,68
-235	92	106	131	0,75
-270	103	110	140	0,82
-345	128	128	152	0,98
-430	154	150	172	1,0

INTERFACES	
fixtures holes D	
Bar 1	1 through hole ø9 mm (option: Insert M12)
Bar 2	2 through holes ø9 mm

M P 1 4 - 1 7 5

SERIE: MP14
'Polycal' mount from the MP14 series

MODEL: -175
height: 77mm
width: 93mm
weight: 0,60kg



		COMPRESSION AND TENSION						
MP14 Series	Model	-175	-200	-235	-270	-345	-430	
1. Max Static	F daN	104	91,0	76,0	63,5	49,3	33,9	
	d mm	4,4	5,9	7,4	9,7	14,9	19,6	
2. Max Shock	F daN	313	273	227	190	147	101	
	d mm	30	37	43	53	76	99	
3. Max Vibration	2a mm	3,3	4,1	4,8	5,9	8,4	10,9	
	f Hz	7,4	6,6	6,0	5,4	4,3	3,7	
1. Max Static	F daN	104	91,0	76,0	63,5	49,3	33,9	
	d mm	4,4	5,9	7,3	8,6	10,5	13,9	
2. Max Shock	F daN	1341	1087	910	724	490	339	
	d mm	28	31	37	41	45	60	
3. Max Vibration	2a mm	3,2	3,5	4,1	4,6	5,0	6,6	
	f Hz	8,5	8,0	7,5	6,9	6,3	5,5	

		COMPRESSION/ROLL 45° - TENSION/ROLL 45°						
MP14 Series	Model	-175	-200	-235	-270	-345	-430	
1. Max Static	F daN	78,4	68,2	57,0	47,6	37,0	25,5	
	d mm	9,2	11,1	13,0	15,7	20,7	27,4	
2. Max Shock	F daN	214	184	154	127	96,4	66,3	
	d mm	45	56	65	80	114	149	
3. Max Vibration	2a mm	5,0	6,2	7,2	8,8	12,6	16,4	
	f Hz	6,1	5,4	5,0	4,5	3,6	3,2	
1. Max Static	F daN	78,4	68,2	57,0	47,6	37,0	25,5	
	d mm	6,9	8,1	9,5	11,2	14,0	18,5	
2. Max Shock	F daN	677	546	457	363	243	168	
	d mm	32	36	42	47	51	68	
3. Max Vibration	2a mm	3,6	4,0	4,7	5,2	5,7	7,6	
	f Hz	7,8	7,2	6,7	6,2	5,6	4,9	

		SHEAR OR ROLL						
MP14 Series	Model	-175	-200	-235	-270	-345	-430	
1. Max Static	F daN	52,2	45,5	38,0	31,8	24,6	17,0	
	d mm	8,0	10,0	11,9	23,6	21,4	28,4	
2. Max Shock	F daN	331	264	218	171	112	77,4	
	d mm	35	41	48	56	70	92	
3. Max Vibration	2a mm	3,9	4,5	5,3	6,2	7,7	10,2	
	f Hz	6,6	6,0	5,6	5,1	4,5	3,9	

1. Max static load (F) with corresponding deflection (d)
 2. Max shock load (F) with corresponding deflection (d)
 3. Uncoupled resonant frequency (f) under max static loading 1. and max peak to peak sinusoidal vibration input (2a)

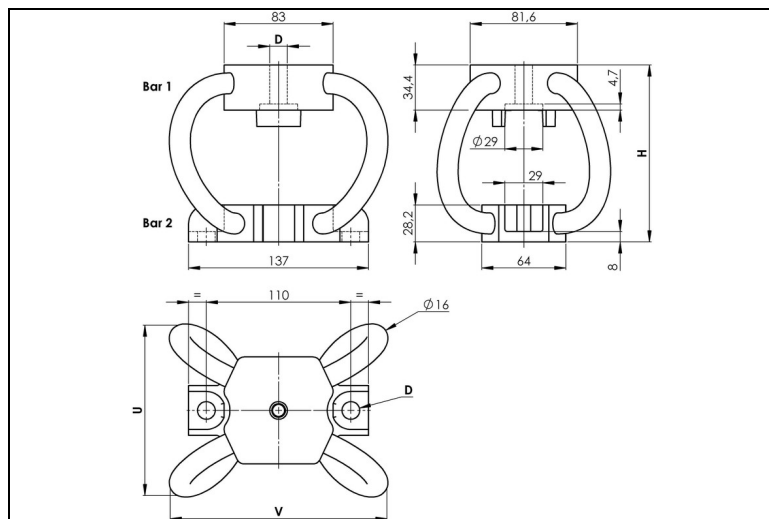
***IMPORTANT:** Performance characteristics are given here for reference only. They can be increased under specific conditions. Contact us

TYPICAL SHOCK/VIBRATION SPECIFICATIONS:

Air	AIR 7306, MIL-E-5400, MIL-C-172, MIL-STD-810
Ground Forces	GAM EG13A, SEFT 001, MIL-STD-810, VG 9533
Marine	GAM EG13C, IT25-21/96-31/15-86, MIL-S-167, MIL-S-901, STANAG 042, BV 043.73, BV 044
Others	GAM EMB1, GAM EMBT4, DEF STAN 07-55, IEC 571, FINABEL 2C

WIRE ROPE ISOLATOR: 'POLYCAL'

DEFINITION
series MP15



- All metal multidirectional anti-vibration/shock mounts
- Exceptional reliability and long life
- High damping
- No aging
- Corrosion resistant
- Unequalled temperature range: - 180°C to 300°C (- 290°F to 570°F)
- Great adaptability/versatility

Dimensions are in millimeters. For reference only

SERIES
Materials and finishes (meets RoHS requirements)
MP15
Cable: stainless steel
Retainer bars: aluminium alloy
Inserts: stainless steel

MODEL	height H (mm)	width U (mm)	width V (mm)	weight (kg)
-315	131	133	175	1,8
-375	151	151	188	1,9
-415	165	154	190	2,0
-515	192	179	212	2,2
-615	223	200	236	2,4

INTERFACES	
fixtures holes D	
Bar 1	1 through hole $\varnothing 13,5$ mm (option: Insert M16)
Bar 2	2 through holes $\varnothing 13,5$ mm

M P 1 5 - 3 1 5

SERIE: MP15
'Polycal' mount from the MP15 series

MODEL: -315
height: 131mm
width: 133mm
weight: 1,8kg



		COMPRESSION AND TENSION					
MP15 Series	Model	-315	-375	-415	-515	-615	
1. Max Static	F daN	90,2	71,0	69,9	50,7	39,6	
	d mm	11,2	15,8	17,4	22,3	26,8	
2. Max Shock	F daN	270	213	209	151	118	
	d mm	61	79	92	116	144	
3. Max Vibration	2a mm	6,8	8,8	10,1	12,8	15,9	
	f Hz	5,0	4,3	3,8	3,4	3,0	
1. Max Static	F daN	90,2	71,0	69,9	50,7	39,6	
	d mm	9,8	12,0	12,2	15,6	18,6	
2. Max Shock	F daN	1017	763	668	490	372	
	d mm	46	55	50	65	76	
3. Max Vibration	2a mm	5,2	6,1	5,6	7,2	8,4	
	f Hz	6,5	5,9	5,8	5,2	4,7	

		COMPRESSION/ROLL 45° - TENSION/ROLL 45°					
MP15 Series	Model	-315	-375	-415	-515	-615	
1. Max Static	F daN	67,6	53,3	52,4	38,0	29,7	
	d mm	17,9	22,7	24,4	31,4	38,2	
2. Max Shock	F daN	180	140	135	98,3	76,3	
	d mm	92	119	138	174	216	
3. Max Vibration	2a mm	10,2	13,1	15,2	19,2	23,8	
	f Hz	4,2	3,6	3,3	2,9	2,6	
1. Max Static	F daN	67,6	53,3	52,4	38,0	29,7	
	d mm	12,8	15,9	16,2	20,9	25,0	
2. Max Shock	F daN	509	381	331	242	183	
	d mm	53	63	57	75	87	
3. Max Vibration	2a mm	5,9	7,0	6,4	8,3	9,6	
	f Hz	5,8	5,2	5,2	4,6	4,2	

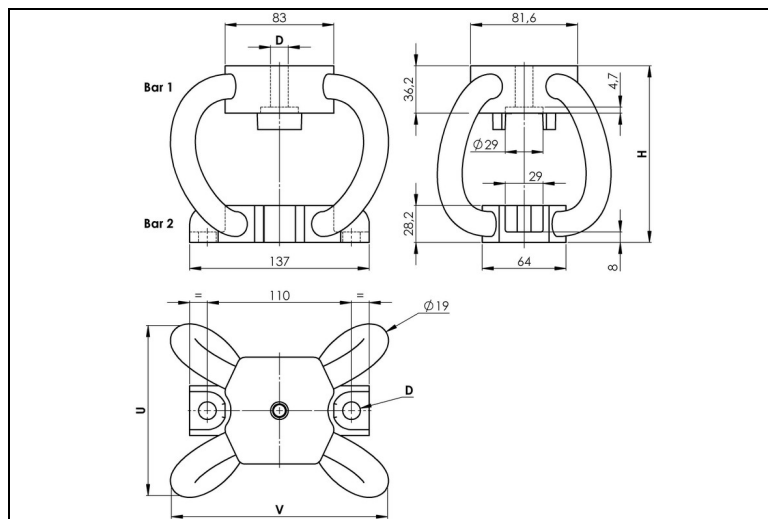
		SHEAR OR ROLL					
MP15 Series	Model	-315	-375	-415	-515	-615	
1. Max Static	F daN	45,1	35,5	34,9	25,3	19,8	
	d mm	21,8	22,0	25,8	33,0	41,5	
2. Max Shock	F daN	245	180	154	112	84,2	
	d mm	64	79	82	105	126	
3. Max Vibration	2a mm	7,1	8,7	9,0	11,6	13,9	
	f Hz	4,8	4,3	4,1	3,6	3,3	
<ol style="list-style-type: none"> 1. Max static load (F) with corresponding deflection (d) 2. Max shock load (F) with corresponding deflection (d) 3. Uncoupled resonant frequency (f) under max static loading 1. and max peak to peak sinusoidal vibration input (2a) <p>*IMPORTANT: Performance characteristics are given here for reference only. They can be increased under specific conditions. Contact us</p>							

TYPICAL SHOCK/VIBRATION SPECIFICATIONS:

Air	AIR 7306, MIL-E-5400, MIL-C-172, MIL-STD-810
Ground Forces	GAM EG13A, SEFT 001, MIL-STD-810, VG 9533
Marine	GAM EG13C, IT25-21/96-31/15-86, MIL-S-167, MIL-S-901, STANAG 042, BV 043.73, BV 044
Others	GAM EMB1, GAM EMBT4, DEF STAN 07-55, IEC 571, FINABEL 2C

WIRE ROPE ISOLATOR: 'POLYCAL'

DEFINITION
series MP16



- All metal multidirectional anti-vibration/shock mounts
- Exceptional reliability and long life
- High damping
- No aging
- Corrosion resistant
- Unequalled temperature range: - 180°C to 300°C (- 290°F to 570°F)
- Great adaptability/versatility

Dimensions are in millimeters. For reference only

SERIES
Materials and finishes (meets RoHS requirements)
MP16
Cable: stainless steel
Retainer bars: aluminium alloy
Inserts: stainless steel

MODEL	height H (mm)	width U (mm)	width V (mm)	weight (kg)
-315	130	138	174	2,2
-375	149	151	195	2,3
-415	164	160	204	2,4
-515	194	183	219	2,7
-615	224	205	237	3,0

INTERFACES	
fixtures holes D	
Bar 1	1 through hole $\varnothing 13,5$ mm (option: Insert M16)
Bar 2	2 through holes $\varnothing 13,5$ mm

M P 1 6 - 3 1 5

SERIE: MP16
'Polycal' mount from the MP16 series

MODEL: -315
height: 130mm
width: 138mm
weight: 2,2kg



		COMPRESSION AND TENSION					
MP16 Series	Model	-315	-375	-415	-515	-615	
1. Max Static	F daN	168	137	120	94,7	72,4	
	d mm	9,8	14,1	17,1	22,2	27,1	
2. Max Shock	F daN	504	411	361	284	217	
	d mm	59	77	89	116	143	
3. Max Vibration	2a mm	6,5	8,6	9,9	12,8	15,8	
	f Hz	5,2	4,4	4,0	3,4	3,0	
1. Max Static	F daN	168	137	120	94,7	72,4	
	d mm	9,6	11,6	12,9	15,5	18,9	
2. Max Shock	F daN	1952	1455	1240	911	691	
	d mm	47	53	57	64	78	
3. Max Vibration	2a mm	5,2	5,8	6,3	7,2	8,6	
	f Hz	6,5	6,0	5,7	5,2	4,7	

		COMPRESSION/ROLL 45° - TENSION/ROLL 45°					
MP16 Series	Model	-315	-375	-415	-515	-615	
1. Max Static	F daN	126	102	90,4	71,0	54,3	
	d mm	17,3	21,9	24,8	31,0	38,3	
2. Max Shock	F daN	339	271	237	183	140	
	d mm	88	116	134	174	215	
3. Max Vibration	2a mm	9,7	12,9	14,8	19,2	23,7	
	f Hz	4,3	3,7	3,4	2,9	2,6	
1. Max Static	F daN	126	102	90,4	71,0	54,3	
	d mm	12,5	15,3	17,1	20,6	25,3	
2. Max Shock	F daN	979	726	617	451	341	
	d mm	54	60	65	74	89	
3. Max Vibration	2a mm	6,0	6,7	7,2	8,2	9,9	
	f Hz	5,8	5,3	5,1	4,6	4,2	

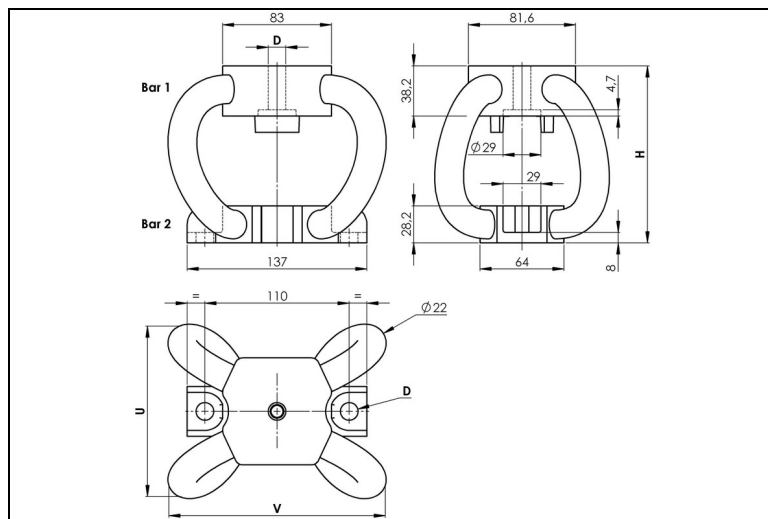
		SHEAR OR ROLL					
MP16 Series	Model	-315	-375	-415	-515	-615	
1. Max Static	F daN	84,0	68,5	60,2	47,4	36,2	
	d mm	17,8	21,3	24,8	32,9	41,0	
2. Max Shock	F daN	475	346	291	209	157	
	d mm	63	76	85	104	127	
3. Max Vibration	2a mm	7,0	8,4	9,4	11,5	14,1	
	f Hz	4,9	4,3	4,1	3,6	3,3	
1. Max static load (F) with corresponding deflection (d) 2. Max shock load (F) with corresponding deflection (d) 3. Uncoupled resonant frequency (f) under max static loading 1. and max peak to peak sinusoidal vibration input (2a)							
*IMPORTANT: Performance characteristics are given here for reference only. They can be increased under specific conditions. Contact us							

TYPICAL SHOCK/VIBRATION SPECIFICATIONS:

Air	AIR 7306, MIL-E-5400, MIL-C-172, MIL-STD-810
Ground Forces	GAM EG13A, SEFT 001, MIL-STD-810, VG 9533
Marine	GAM EG13C, IT25-21/96-31/15-86, MIL-S-167, MIL-S-901, STANAG 042, BV 043.73, BV 044
Others	GAM EMB1, GAM EMBT4, DEF STAN 07-55, IEC 571, FINABEL 2C

WIRE ROPE ISOLATOR: 'POLYCAL'

DEFINITION
series MP17



- All metal multidirectional anti-vibration/shock mounts
- Exceptional reliability and long life
- High damping
- No aging
- Corrosion resistant
- Unequalled temperature range: - 180°C to 300°C (- 290°F to 570°F)
- Great adaptability/versatility

Dimensions are in millimeters. For reference only

SERIES
Materials and finishes (meets RoHS requirements)
MP17
Cable: stainless steel
Retainer bars: aluminium alloy
Inserts: stainless steel

MODEL	height H (mm)	width U (mm)	width V (mm)	weight (kg)
-315	133	141	181	2,2
-375	154	152	184	2,7
-415	160	163	205	2,9
-515	194	185	222	3,6
-615	220	208	242	4,2

INTERFACES	
fixtures holes D	
Bar 1	1 through hole ø13,5 mm (option: Insert M16)
Bar 2	2 through holes ø13,5 mm

M P 1 7 - 3 1 5

SERIE: MP17
'Polycal' mount from the MP17 series

MODEL: -315
height: 133mm
width: 141mm
weight: 2,2kg



		COMPRESSION AND TENSION					
MP17 Series		Model	-315	-375	-415	-515	-615
1. Max Static	F daN	271	243	193	168	129	
	d mm	9,6	13,0	15,2	21,5	26,2	
2. Max Shock	F daN	815	729	581	504	389	
	d mm	61	77	86	113	140	
3. Max Vibration	2a mm	6,8	8,6	9,5	12,4	15,4	
	f Hz	5,1	4,4	4,2	3,4	3,1	
1. Max Static	F daN	271	243	193	168	129	
	d mm	9,6	11,3	13,5	15,0	18,2	
2. Max Shock	F daN	3167	2513	2161	1620	1227	
	d mm	49	50	64	63	75	
3. Max Vibration	2a mm	5,5	5,5	7,1	7,0	8,3	
	f Hz	6,3	6,1	5,5	5,2	4,8	

		COMPRESSION/ROLL 45° - TENSION/ROLL 45°					
MP17 Series		Model	-315	-375	-415	-515	-615
1. Max Static	F daN	203	182	145	126	97,3	
	d mm	18,1	21,4	24,9	29,9	36,8	
2. Max Shock	F daN	549	480	387	327	250	
	d mm	92	116	129	169	210	
3. Max Vibration	2a mm	10,2	12,9	14,2	18,6	23,1	
	f Hz	4,2	3,6	3,5	3,0	2,6	
1. Max Static	F daN	203	182	145	126	97,3	
	d mm	13,1	14,8	17,7	20,0	24,3	
2. Max Shock	F daN	1590	1252	1081	803	607	
	d mm	56	57	73	72	85	
3. Max Vibration	2a mm	6,3	6,3	8,1	7,9	9,5	
	f Hz	5,7	5,4	4,9	4,7	4,3	

		SHEAR OR ROLL					
MP17 Series		Model	-315	-375	-415	-515	-615
1. Max Static	F daN	135	121	96,8	84,1	64,8	
	d mm	171	25,3	23,7	31,7	39,8	
2. Max Shock	F daN	768	596	511	372	278	
	d mm	66	74	88	101	123	
3. Max Vibration	2a mm	7,3	8,2	9,8	11,2	13,6	
	f Hz	4,7	4,4	4,1	3,7	3,3	
		1. Max static load (F) with corresponding deflection (d) 2. Max shock load (F) with corresponding deflection (d) 3. Uncoupled resonant frequency (f) under max static loading 1. and max peak to peak sinusoidal vibration input (2a)					
		*IMPORTANT: Performance characteristics are given here for reference only. They can be increased under specific conditions. Contact us					

TYPICAL SHOCK/VIBRATION SPECIFICATIONS:

Air	AIR 7306, MIL-E-5400, MIL-C-172, MIL-STD-810
Ground Forces	GAM EG13A, SEFT 001, MIL-STD-810, VG 9533
Marine	GAM EG13C, IT25-21/96-31/15-86, MIL-S-167, MIL-S-901, STANAG 042, BV 043.73, BV 044
Others	GAM EMB1, GAM EMBT4, DEF STAN 07-55, IEC 571, FINABEL 2C