

**TECHNICAL DATA**

Max Length Twin Mast	33,7 m	Max Length Single Mast	13,1 m
Max Payload Twin Mast	6500 Kg	Max Payload Single Mast	3300 Kg
Motors Power Twin Mast	2 x 2 x 4 Kw	Motors Power Single Mast	2 x 4 Kw
Speed	9 m / min	Motors per drive unit	2
Platform deck width	1,3 m	Standard wall extensions	1 m (longer available on request) (*)
Wall Ties Distance	30 ft max.	Free Standing Height	6 m
Mast element weight	70 kg	Mast element dim. (mm)	525 x 505 x 1489
Max working height	150 m (*)	Power Supply	400 V - 50 Hz - Threephase (*)

**SAFETY FEATURES**

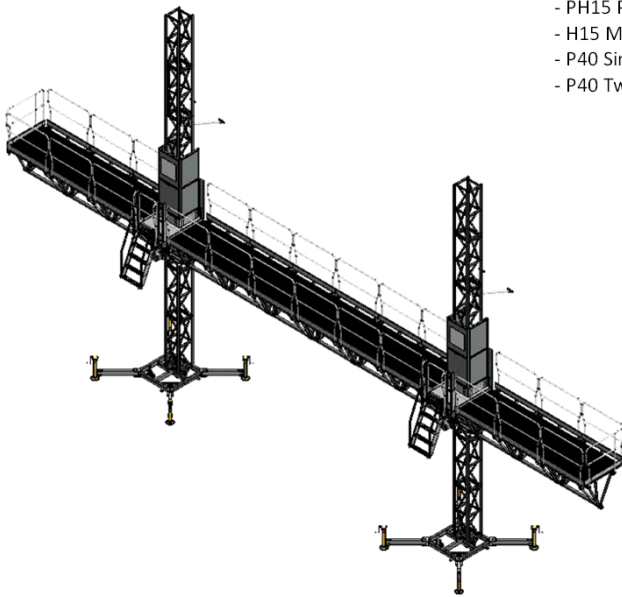
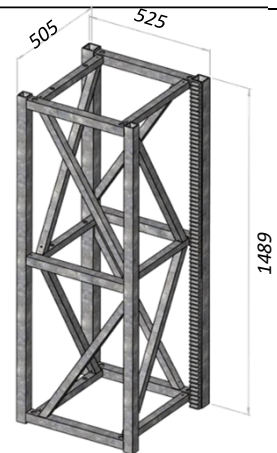
- First class geared motors self braking type
- Centrifugal emergency brake for each geared-motor with automatic activation in case of overspeed
- Device for manual descent in case of power failure
- Castor wheels on the base for easy placement
- Mast protection nets
- Low voltage Electrical panel
- Detection of correct phase
- Limit switch checking mast element presence
- Emergency push button
- Sound alarm when platform moving
- Automatic levelling device in twin mast configuration checked by double limit switch
- Erection left / right drive unit stop
- Levelling Jacks and Rubber shock absorbers included in the base
- Rack interrupted on the terminal mast element to avoid overrun
- 220 V socket on board for tools
- Changing phase device
- Limit switch for doors, up, down, overrun and Emergency
- Double Limit switch up / down / levelling

The Manufacturer reserves the right to change any of the above data without notice

NOTES: (\*) Other values on request - (\*\*) Optional

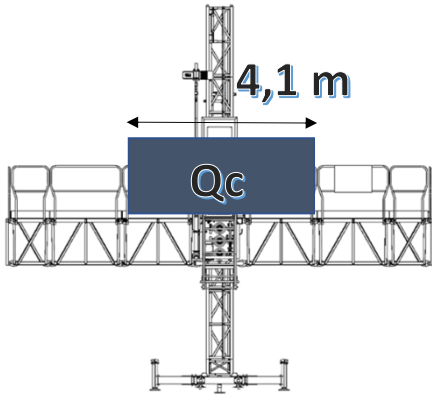
**Mast section compatible with:**

- E15 P&M Hoist
- PH15 Transp.Platform
- PH15 PLA TWIN Transp.Plat.
- H15 Material Hoist
- P40 Single Mast Climber
- P40 Twin Mast Climber

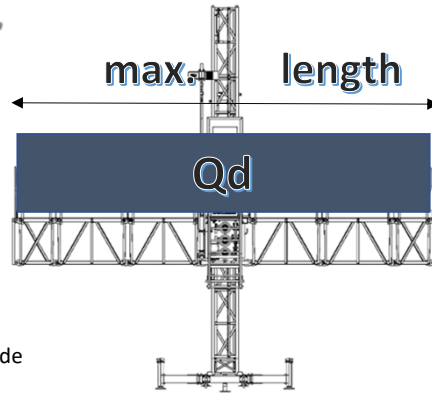


Images shown are only indicative  
The customer can choose the preferred configuration

P40 S SINGLE MAST - LOAD DISTRIBUTION					
Total Length		4,1 m	7,1 m	10,1 m	13,1 m
num. of Left decks		1	2	3	4
num. of Right decks		1	2	3	4
Qc	[Kg]	3300	3010	2730	2450
Qd	[Kg]	3300	2800	1900	1100



**Single Mast**  
**3300 Kg**  
**Max payload**



**Qc** : Concentrated load  
Area : Drive unit + 1 deck each side

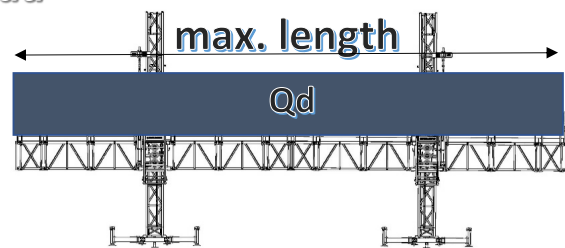
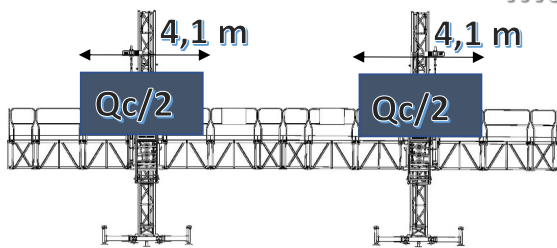
**Qd** : Evenly distributed load  
Area : all along the platform


**Qc = Concentrated Load**  
including  (240 Kg)

**Qd = Evenly distributed load**  
including  (240 Kg)

P40 S TWIN MAST - LOAD DISTRIBUTION										
Total Length		8,2 m	12,9 m	17,2 m	20,2 m	24,7 m	26,2 m	27,7 m	30,7 m	33,7 m
num. of decks each wing		1	1	2	3	3	3	3	3	4
num. of decks between masts		2	5	6	6	9	10	11	13	13
Qc	[Kg]	6500	6070	5650	5370	4940	4800	4660	4380	4090
Qd	[Kg]	6500	5670	4840	4290	3460	3180	2905	2350	1800

**Twin Mast**  
**6500 Kg**  
**Max payload**



**Qc = Concentrated Load**  
including  (600 Kg)

**Qd = Evenly distributed load**  
including  (600 Kg)

