

**green:ID**

LED Wall Lamp

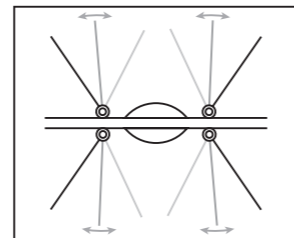
62906





## Introduction

This wall lamp adopts ADC12 aluminum housing which can provide excellent thermal management; it also with unique up and down light functional design ; the beam angle can be adjusted by the flexible aluminum plate.

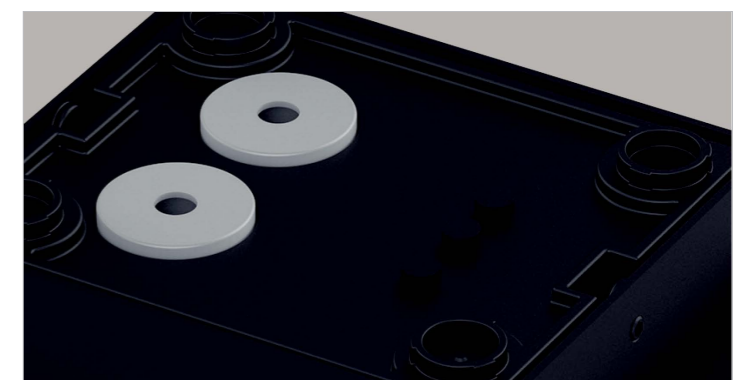
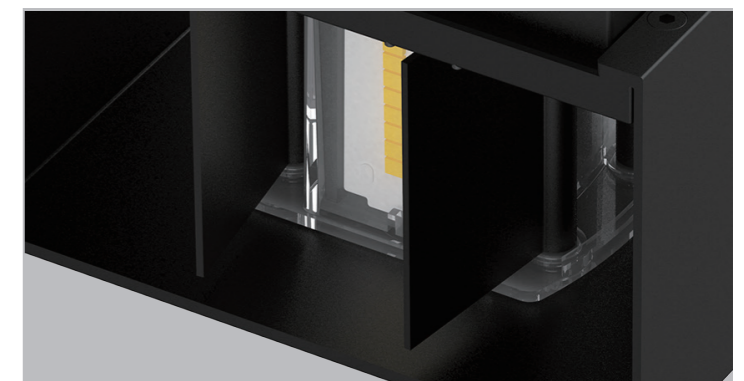
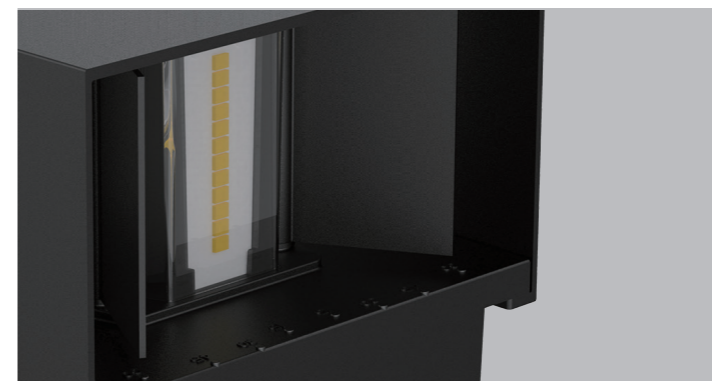


## Features

- IP65 waterproof
- Up and down luminous design.
- Aluminum heat sink provides excellent thermal management
- Environment friendly, without Mercury or any other hazardous substances.

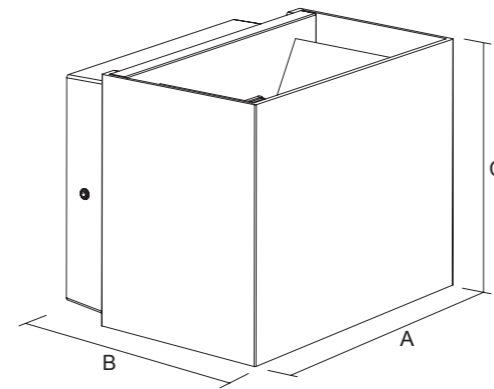
## Application Areas

It is designed for indoor and outdoor lighting applications hotel, park, and corridors etc.





62906  
Mains Cable entry(2x)



## Technical Data Sheet

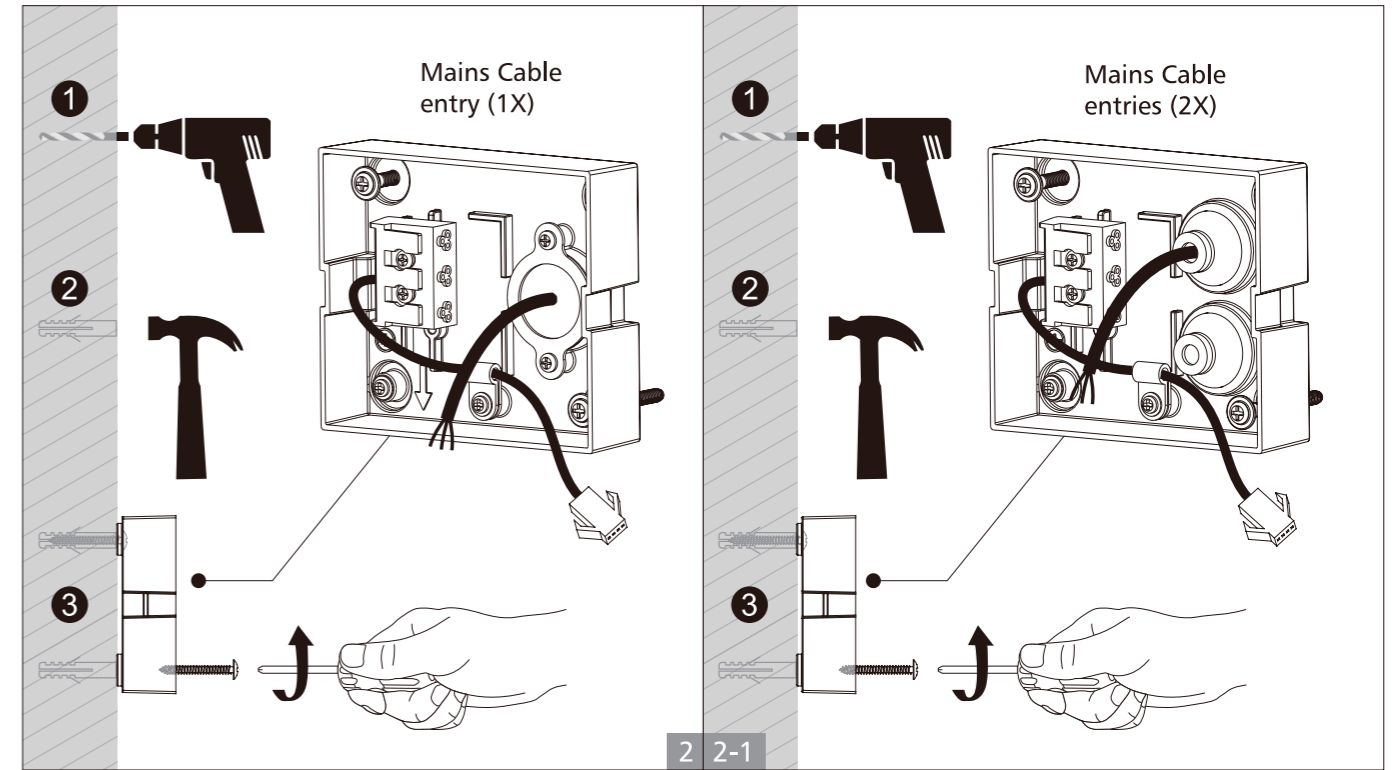
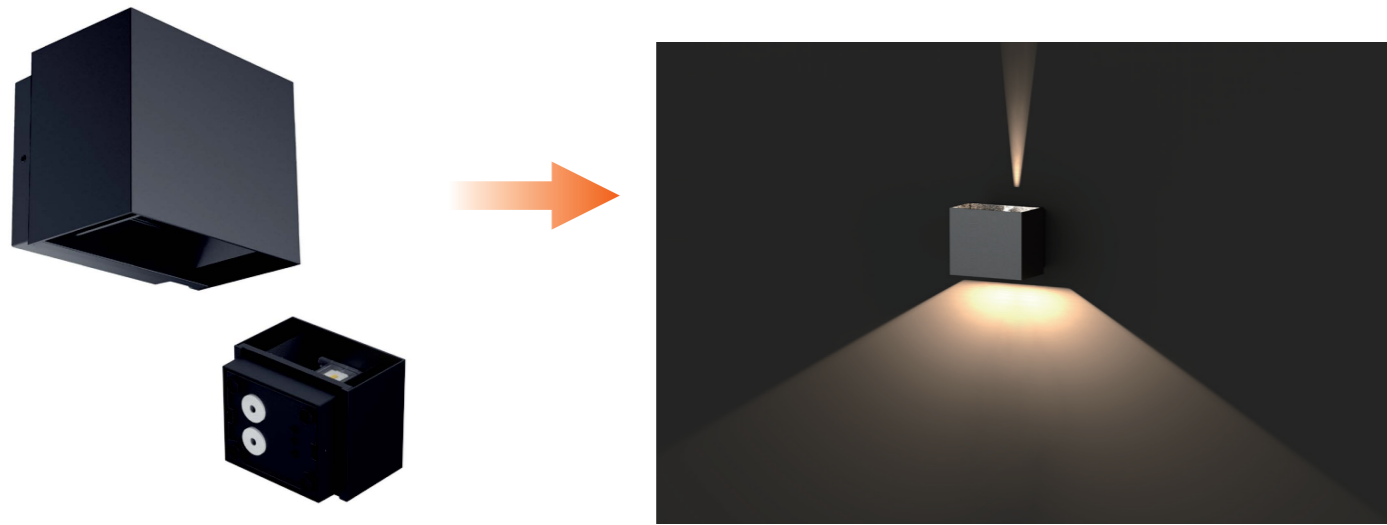
Code No.	62906		
Dimension(mm)	120*96.8*100		
Cutout (mm)	-		
Watt(W)	2×5W		
Rated Input Voltage(V)	AC230V		
Input Voltage(V)	AC100-240V		
LED Module Input	DC66-76V		
Light Source	SMD		
SDCM	<6		
CCT(K)	1-CCT: 3000K/4000K/5000K/5700K		
CCT Selection DIP Switch	NO		
Luminous Flux (lm) ±5%	Non-DIM	1-CCT	750~900
	DIM		-
	Non-DIM	3-CCT	-
	DIM		-
CRI	≥80		
Beam Angle (°)	Adjustable 15°~120°		
UGR	-		
LED Driver	Built-in		
Dimming Option	NO		
Sensor	NO		
Emergency Kits	NO		
Electrical Class	Class I		
Ingress Protection (IP Rating)	IP65		
Impact Resistance (IK Rating)	IK06		
Product Finishing(Base)	Black RAL9005		
Materials of Optics	PC		
Materials of Housing	Aluminium /PC		
Lifetime (hr)	50,000h		
Glow wire test (°C)	750°C		
Operating Temp. (°C)	-20°C ~45°C		
Storage Temp. (°C)	-20°C ~60°C		
Installation	Wall mount		

## Measurement

Code	Dimension(mm)			Size(mm)	Product Weight (Kg)		Package weight (Kg)		Carton Size(cm)	Qty/CTN
	A	B	C		N.W/PC	G.W/PC	N.W/CTN	G.W/CTN		
62906	120	96.8	100	120*96.8*100	0.59	0.71	10.62	13.58	39*31.5*40	18

## Driver Datasheet (Non-Dimmable)

Total load wattage		10W
Output	Output Voltage range	DC60-80V
	Rated output current	140mA
	Line Regulation	±5%
	Setup, Rise Time	1S
	Flickering Index	-
Input	Input Voltage	AC85-265V
	Rated Input Voltage(V)	AC100-240V
	Frequency	50/60Hz
	Input Current	≤0.11A
	Rated Input Current	0.1A
	Power Factor	0.9
	THD	-
	Efficiency	≥87%
	No load wattage	<0.5W
Protection	Short circuit protection	Pass
	Over voltage protection	Pass
	Over temperature protection	Pass
Safety &EMC	Withstand voltage	-
	Isolation Resistance	-
	Surge	IEC61000-4-5(L-N:0.5KV, L/N-PG:1KV)
	EMC Emission	EN55015, EN61000-3-2
	EMC Immunity	EN61000-4-2,3,4,5,6,8,11; EN61547



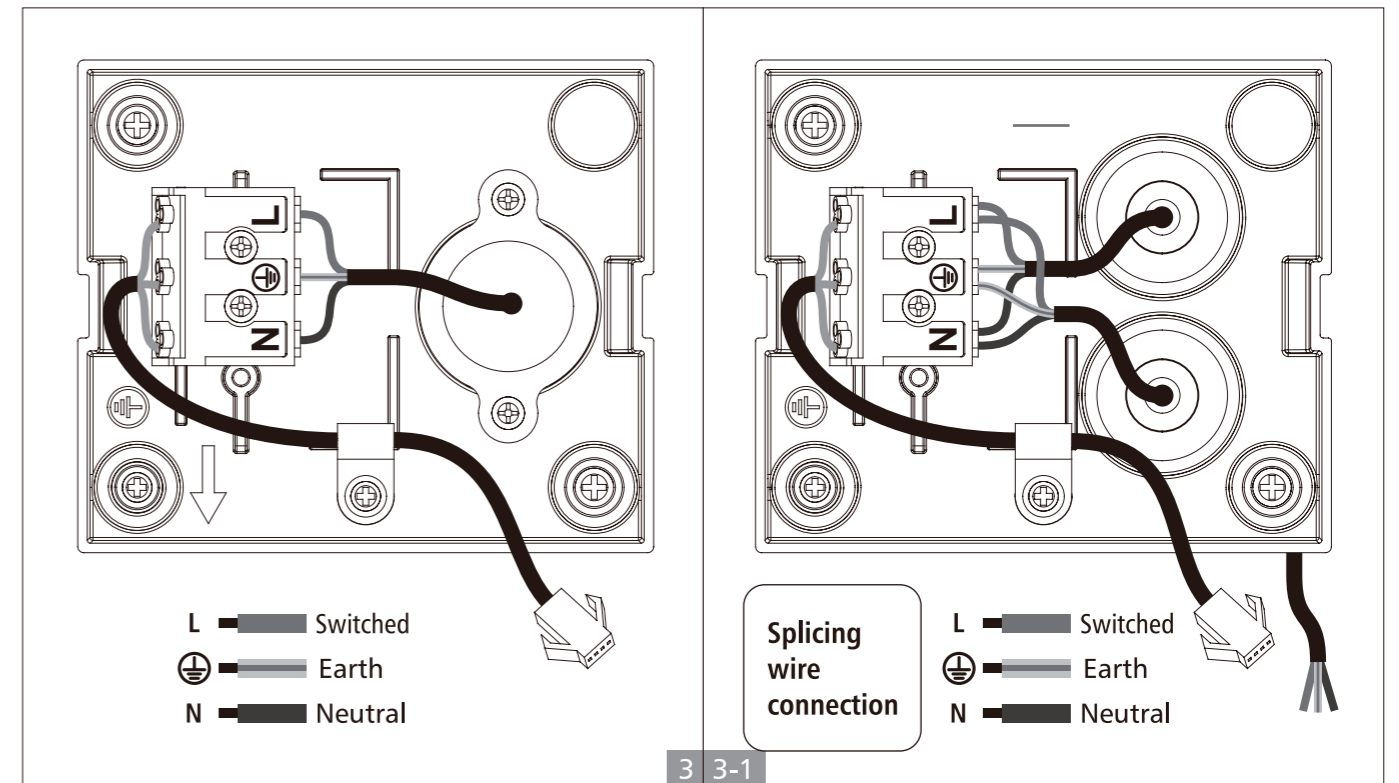
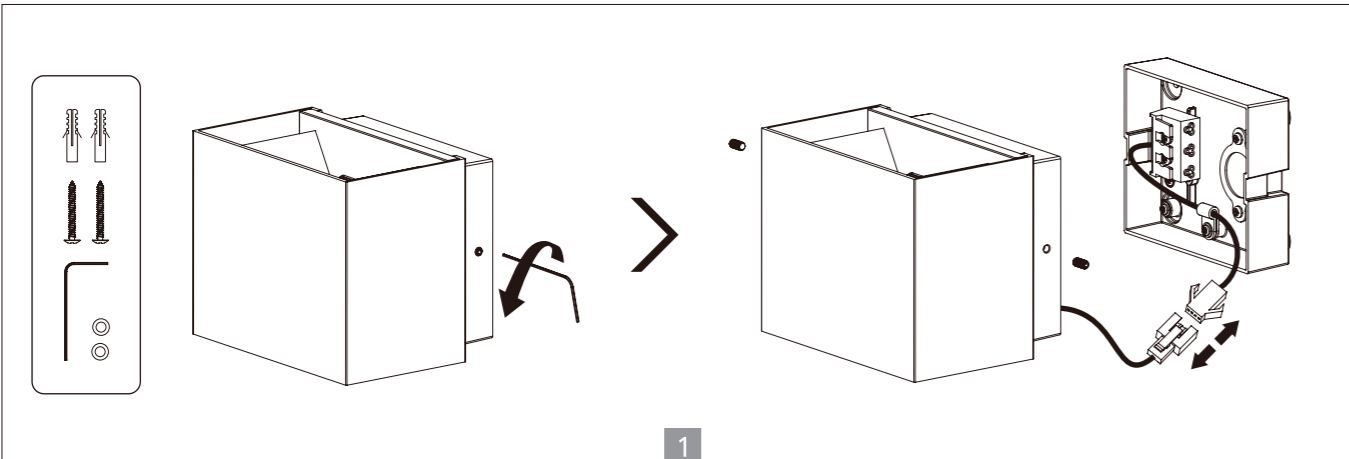
**Installation Instruction**

**WARNING**

1. Switch off before installation.
2. Switch on only after complete installation and examination of the circuit.
3. Professional electrician for installation and maintenance only.



**Wall mounted installation**



3 3-1

