

LED "BRIGHT"

Flood Light

100W

150W

200W

400W

Advantages

- Two models could be combined into one
- High efficiency, 150lm/ w
- Beam angle 45° / 60° / 90° / 80*140° for option
- Intergrated AL heat sink, flat honeycomb-shaped design
- Meanwell Driver



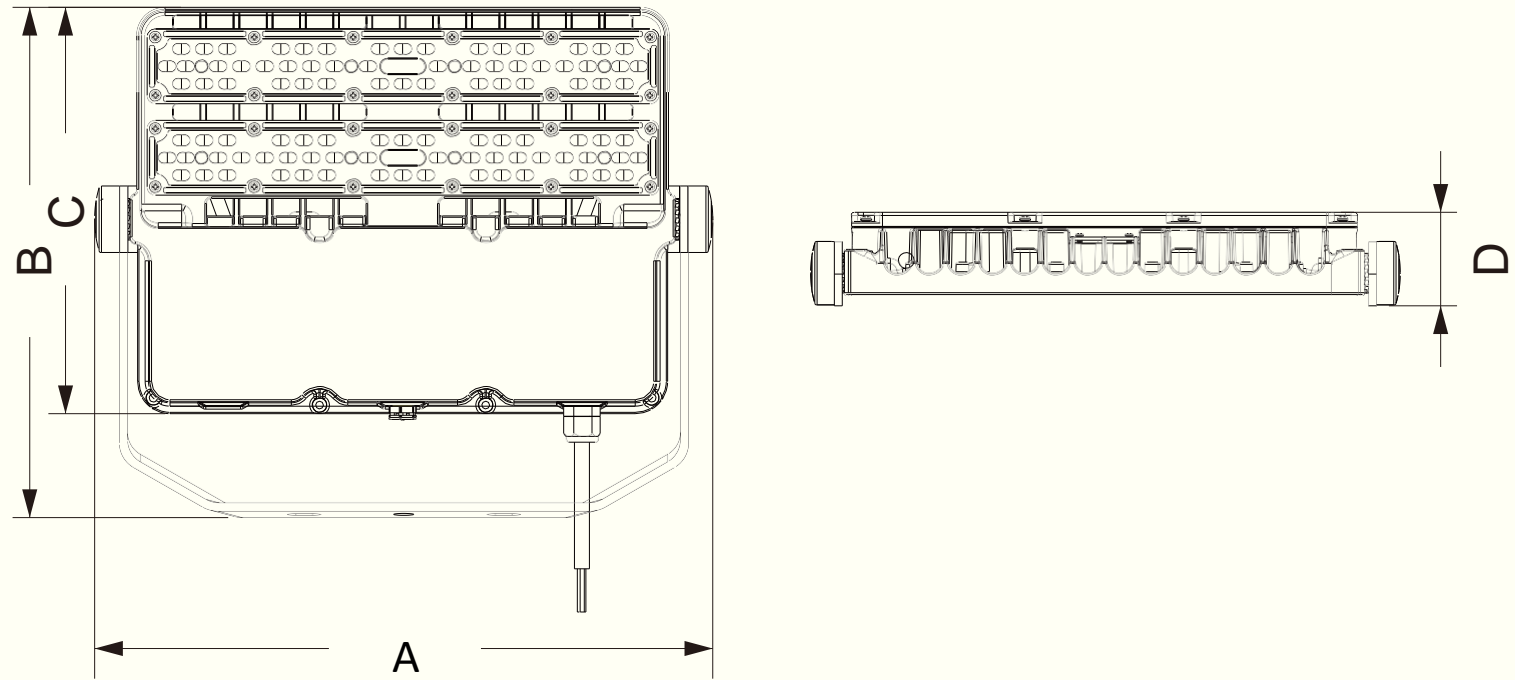
150
lm/w

CRI>80

IP66

7
ÅRS GARANTI

Dimension



Model	A	B	C	D
100W	365	310	245	60
150W	365	365	300	60
200W	365	420	355	60
400W	695	435	355	65

Application

- Billboard
- Road
- Tunnel
- Bridge and culvert
- Square
- Building



A: Technical Parameter

Item No.	65300 (4000 kelvin, 90°)	
Lamp Size	310*365*60mm	
Voltage	AC100V-277V 50/60HZ	
Power	100W	
LED Type	EMC 5050	
LED Quantity	96pcs	
Luminous Flux	EMC 5050	15000LM ±5%
Color Temperature (CCT)	Warm white	2800-3500K
	Neutral white	3800-4500K
	Cool white	5500-6500K
Beam Angle	45° / 60° / 90° / 80*140°	
Color Rendering Index (CRI)	Ra>80	
Power Supply Efficiency	>90%	
LED Luminous Efficiency	150lm/W	
Power Factor (PF)	>0.9	
Total Harmonic Distortion (THD)	≤15%	
IP Rank	IP 66	
Net Weight	4.5 kg	
Certificate	CE, RoHS, CB,SAA	

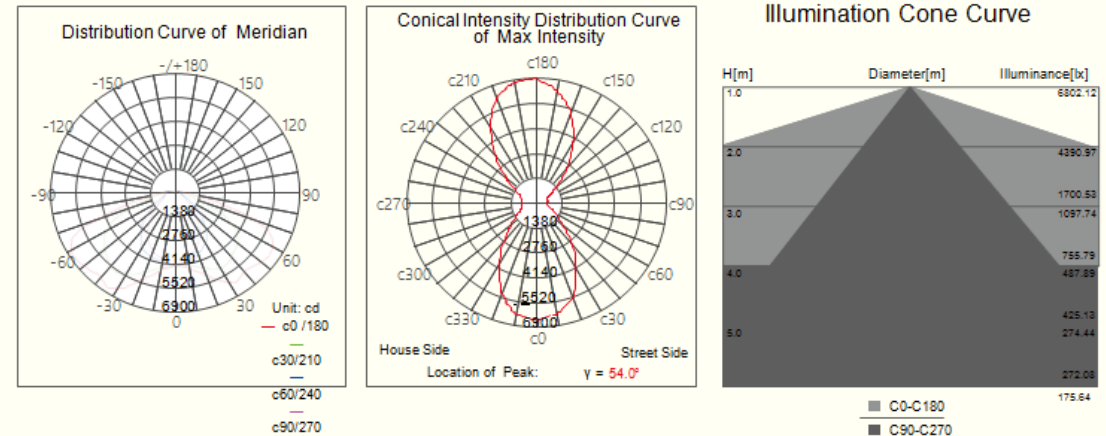
B: Mechanical Specifications

LED Driver	MEANWELL
Housing Processing	Die - Casting
Material	ADC12

C: Environmental

Temperature Range Operating	-40°C ~ 50°C
Humidity Range Operating	10% ~ 90%
Temperature Range Storage	-40°C ~ 70°C
Humidity Range Storage	10% ~ 90%

LUMINOUS INTENSITY DISTRIBUTION



A: Technical Parameter

Item No.	65302 (4000 kelvin, 90°)	
Lamp Size	365*365*60mm	
Voltage	AC100V-277V 50/60HZ	
Power	150W	
LED Type	EMC 5050	
LED Quantity	144pcs	
Luminous Flux	EMC 5050	22500LM ±5%
Color Temperature (CCT)	Warm white	2800-3500K
	Neutral white	3800-4500K
	Cool white	5500-6500K
Beam Angle	45° / 60° / 90° / 80*140°	
Color Rendering Index (CRI)	Ra>80	
Power Supply Efficiency	>90%	
LED Luminous Efficiency	150lm/W	
Power Factor (PF)	>0.9	
Total Harmonic Distortion (THD)	≤15%	
IP Rank	IP 66	
Net Weight	5 kg	
Certificate	CE, RoHS, CB,SAA	

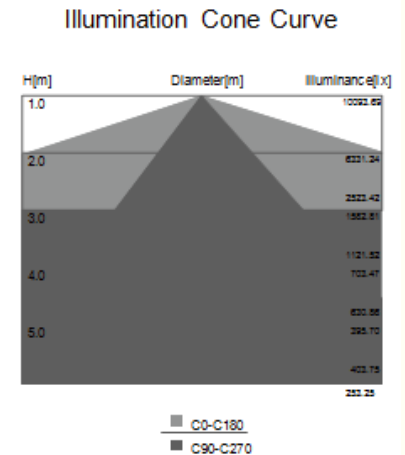
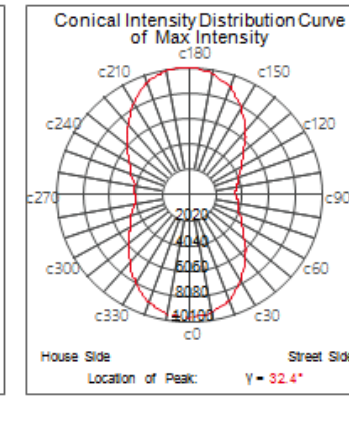
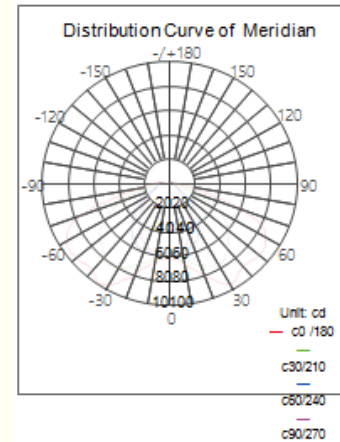
B: Mechanical Specifications

LED Driver	MEANWELL
Housing Processing	Die - Casting
Material	ADC12

C: Environmental

Temperature Range Operating	-40°C ~ 50°C
Humidity Range Operating	10% ~ 90%
Temperature Range Storage	-40°C ~ 70°C
Humidity Range Storage	10% ~ 90%

LUMINOUS INTENSITY DISTRIBUTION



A: Technical Parameter

Item No.	65304 (4000 kelvin, 90°)	
Lamp Size	420*365*60mm	
Voltage	AC100V-277V 50/60HZ	
Power	200W	
LED Type	EMC 5050	
LED Quantity	192pcs	
Luminous Flux	EMC 5050	30000LM ±5%
Color Temperature (CCT)	Warm white	2800-3500K
	Neutral white	3800-4500K
	Cool white	5500-6500K
Beam Angle	45° / 60° / 90° / 80*140°	
Color Rendering Index (CRI)	Ra>80	
Power Supply Efficiency	>90%	
LED Luminous Efficiency	150lm/W	
Power Factor (PF)	>0.9	
Total Harmonic Distortion (THD)	≤15%	
IP Rank	IP 66	
Net Weight	6 kg	
Certificate	CE, RoHS, CB,SAA	

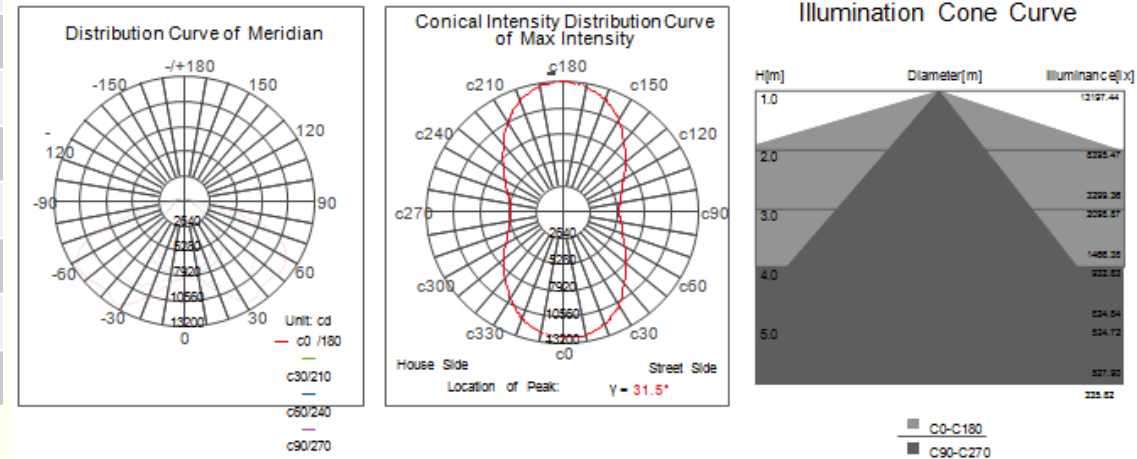
B: Mechanical Specifications

LED Driver	MEANWELL
Housing Processing	Die - Casting
Material	ADC12

C: Environmental

Temperature Range Operating	-40°C ~ 50°C
Humidity Range Operating	10% ~ 90%
Temperature Range Storage	-40°C ~ 70°C
Humidity Range Storage	10% ~ 90%

LUMINOUS INTENSITY DISTRIBUTION



A: Technical Parameter

Item No.	65308 (4000 kelvin, 90°)	
Lamp Size	695*435*65mm	
Voltage	AC100V-277V 50/60HZ	
Power	400W	
LED Type	EMC 5050	
LED Quantity	384pcs	
Luminous Flux	EMC 5050	60000LM ±5%
Color Temperature (CCT)	Warm white	2800-3500K
	Neutral white	3800-4500K
	Cool white	5500-6500K
Beam Angle	45° / 60° / 90° / 80*140°	
Color Rendering Index (CRI)	Ra>80	
Power Supply Efficiency	>90%	
LED Luminous Efficiency	150lm/W	
Power Factor (PF)	>0.9	
Total Harmonic Distortion (THD)	≤15%	
IP Rank	IP 66	
Net Weight	12 kg	
Certificate	CE, RoHS, CB,SAA	

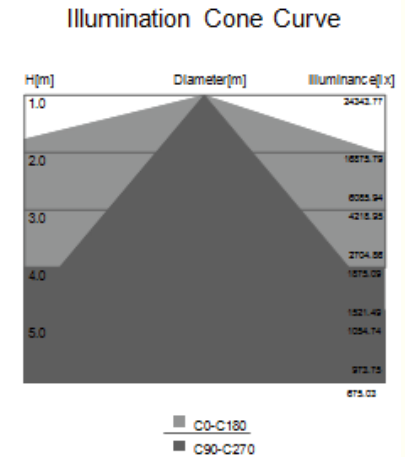
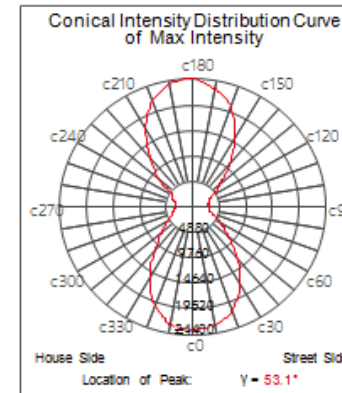
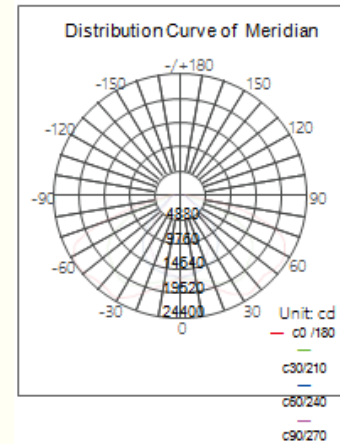
B: Mechanical Specifications

LED Driver	MEANWELL
Housing Processing	Die - Casting
Material	ADC12

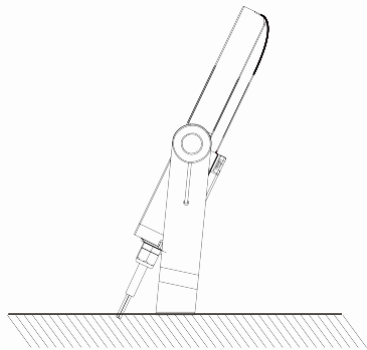
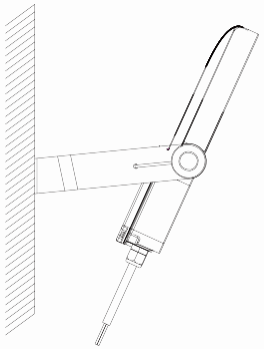
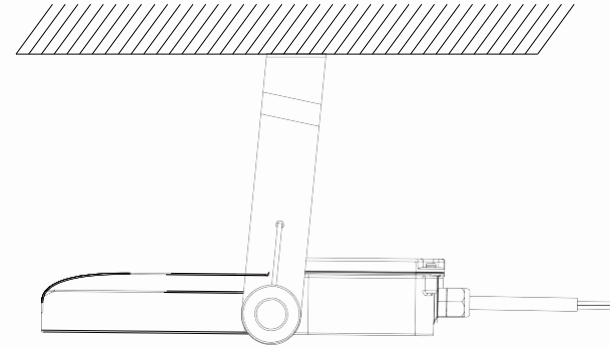
C: Environmental

Temperature Range Operating	-40°C ~ 50°C
Humidity Range Operating	10% ~ 90%
Temperature Range Storage	-40°C ~ 70°C
Humidity Range Storage	10% ~ 90%

LUMINOUS INTENSITY DISTRIBUTION



Installation

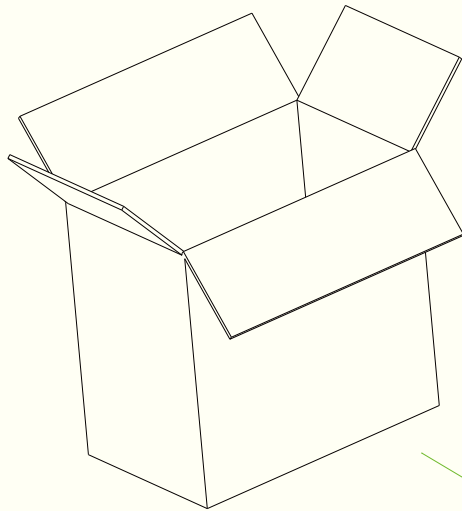
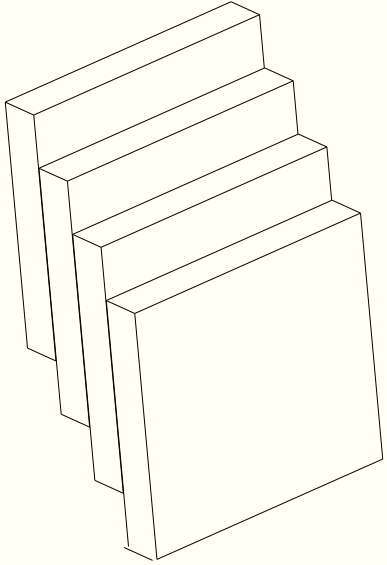


With support frame

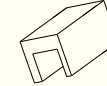
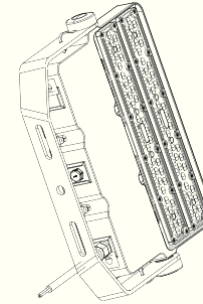
Fix the bracket on the wall by screws and then adjust the lamp body to proper orientation.

Packing

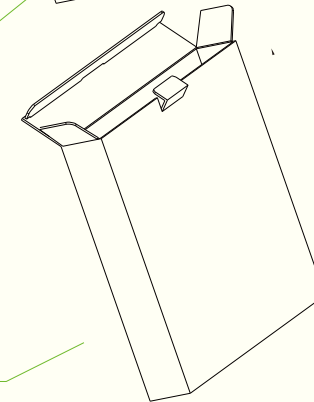
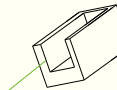
NO	Inner Box Size	Box weight	Pcs/Ctn	CartonSize	G.W
100W	326*68*371mm	4.77Kgs	4pcs	342*387*288mm	19.5Kgs
150W	381*68*371mm	5.32Kgs	4pcs	397*288*387mm	22Kgs
200W	436*68*371mm	6.4Kgs	4pcs	452*288*387mm	26.3Kgs
400W	/	/	1pcs	707*77*457mm	13Kgs



Master Carton



EPE



Inner Box

Attention

- 1. If the light does not work, check the cable connection and make sure the AC cable is connected in strict accordance with the label tips.**
- 2. Turn off the power before installation and demount.**
- 3. Please turn to professional electrician if any failure.**