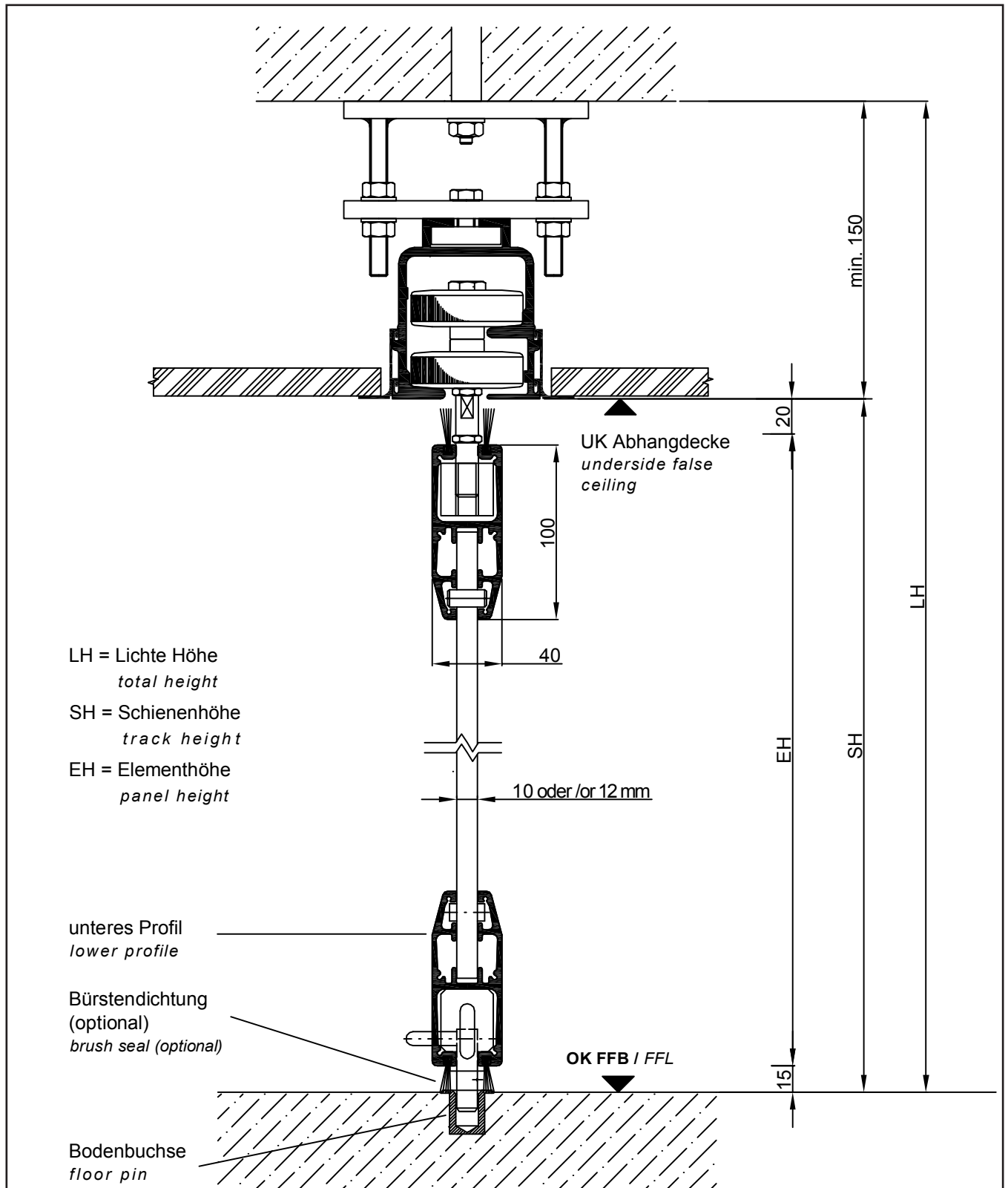


technical details	Type G 3000	
<i>suspension</i>	2 point	
<i>min. suspension height</i>	150 mm	
<i>types of trims</i>	I/L/T/U-profile	
<i>parking types</i>	See register no. 3 ("Schienensysteme")	
<i>glass type</i>	safety glass tempered	
<i>glass thickness in mm</i>	10	12
<i>track height max:</i>	3190 mm	3650 mm
<i>panel width in mm</i>	610...1250	
<i>pivot panel</i>	the pivot panel is not operable and swings into the stacked position	
<i>pivot panel width in mm</i>	...1250	
<i>pass door</i>	the pass door is connected with an operable panel	
<i>pass door width in mm</i>	max. 900	
<i>anchor panel in mm</i>	door + 320	
<i>tempered glass width-height proportion</i>	1:10 (introduction of the glass producer)	
<i>top clearance</i>	20 mm	
<i>bottom clearance</i>	15 mm	
<i>brush seals</i>	horizontal and vertical upgradeable	
<i>bolting panels</i>	to gip in the floor	
<i>Colour of profile standard</i>	E6 / EV1	
<i>HUF COR standard handle</i>	FSB aluminum handle l=200 mm	
<i>profil cylinder for lock</i>	30/30 mm	



**Typ 5 aus Schallschutzgründen
nur bei Glasanlagen empfohlen
*type 5 only for glass partitions
because of sound value***

