



Gunnebo SpeedStile FL^s

DS Series

Flap Leaf Speed Gate for Internal Installation

GUNNEBO[®]

Flap Leaf Speed Gate for Internal Installation

Motorised flap leaves

Architects and Interior Designers have always been at the forefront in introducing new materials. Gunnebo embraces this philosophy in the SpeedStile DS series with exciting new materials, selection of finishes and lighting effects. Finishes and ergonomic shapes that capture the designer's imagination. A new stylish and flexible design able to virtually blend infinite aesthetics within architectural interior needs, still including security features and performances from Gunnebo experience.

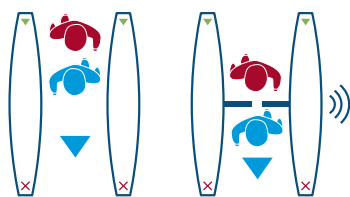
One-Leaf Service-Gate solution for extra wide service passage, also available.

Applications are wherever high aesthetics is a must. Applications include Government, Finance, Banking, Retail, Telecommunications, Information Technology, Publishing, Leisure, Education...

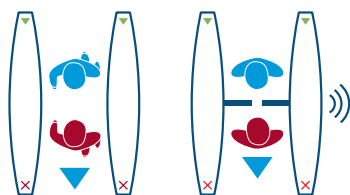
Security Features

Fraud Detection through sophisticated and proven algorithm

Intrusion
Tailgating
Piggybacking
Wrong way direction
Leave aisle timeout



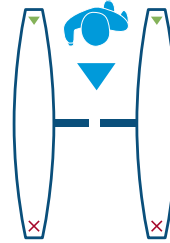
Tailgating and piggybacking detection



Wrong way and intrusion detection

Mode of Operation

Flap Leaves



Normally Closed

Passage in one or both directions is electronically controlled. On receiving a signal from the access control system, or remote control, the wings open (Normally Closed NC). If an unauthorised person tries to tailgate or attempts to enter from the opposite direction, the in-built alarm system is activated. If within the pre-set timeout no passage has occurred, the lane will close and reset.

Illuminated symbols

Steady light=Normal use. Flashing light=Alarm conditions.



Green Arrow

Steady: Authorised use or designated free passage Proceed through the unit.

Flashing: Emergency/Fire exit.

Red Cross

Steady: Unit in use or no passage. Passage not authorised.

Flashing: Alarm, fraudulent condition or technical alarm.

LED display indicators on the column drive post, with illuminated symbols.



Safety Features

Safety force sensing
Safety light curtain (option)
Accurate presence sensing
Emitter/receiver infrared sensors technology
Logic voltage 24V dc
Voltage free contact input for Fire Alarm fail state
Manual push opening on power off
Anti-panic push opening in operation
Wide walkway for wheel chair or easier access
Accompanied wheelchair or child passage management

For security and safety reasons children must be supervised by an adult at all times in the vicinity of an active lane. Any child being escorted through the lane must always precede the accompanying adult during passage.

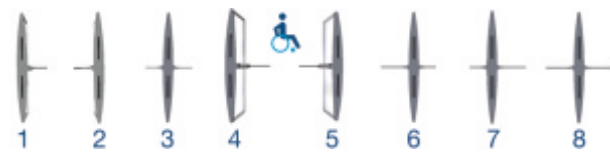
Design/Construction

DS series modern and stylish design, Stainless Steel and glass construction with robust and stylish technopolymer lid with a vast selection of finishes and customisation.

Cabinet Length: 1.8m

Standard passage way 600mm and Wide passage (900mm) available. Available also as Combi – centre cabinet with narrow (600mm) passage in one side and wide (900mm) passage on the other side.

In order to create a lane it is necessary to have one right and one left cabinet. To create more than one lane, use one or more centre or combi cabinets. Select cabinets according to the number of lanes and passage width desired.



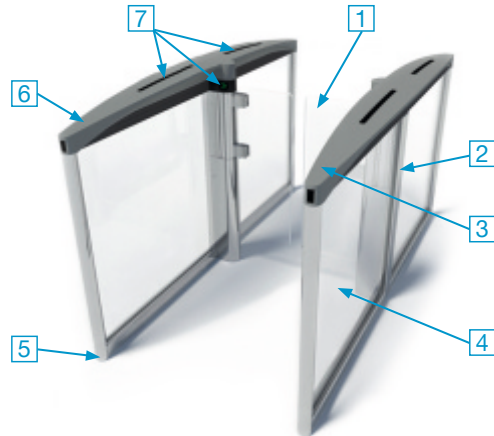
1. Left 2. Right 3. Centre 4. Left Wide 5. Right Wide 6. Centre Left
7. Centre Right 8. Centre Wide



Two lane configuration comprising of 1N°L, 1N°C and 1N°R cabinets (left), and Two lane configuration comprising of N°1 LW, 1N°CLW and 1N°R cabinet (right).

Finishes

DS series includes applied Grey Aluminium for the elliptic top lid with stainless steel effect centre strip, chassis, plinth and end leg posts finishing in 304 grade stainless steel and glass inlay 10mm thick.



1. Flap Leaves. 2. Rotor column. 3. Card reader integration. 4. Glass inlay.
5. End leg post. 6. Lid. 7. LED display indicators.

Optional finishes for lid



Applied finishes for top lid

White or Black Carbon fibre effect, Dark Mahogany effect or Light Maple effect

Options & Accessories

DS series finishes and materials	Remote control systems
Light curtain safety kit	Preassembled or in a kit form
Card reader integration	One-Leaf Service Gate version to pair with adjacent FLS lanes

Access Specifications

Flow rates by type of reader¹

Insertion type	Swipe type	Proximity type
20 Passages per minute	30 Passages per minute	40 Passages per minute

1. Approximate figures.

Accessibility for Standard (600mm) vs. Wide (900mm) models

Plain dot indicates the functionality is implemented, empty dot indicates some limitations, no dot indicates not available. Emergency egress² functionality implemented as standard.

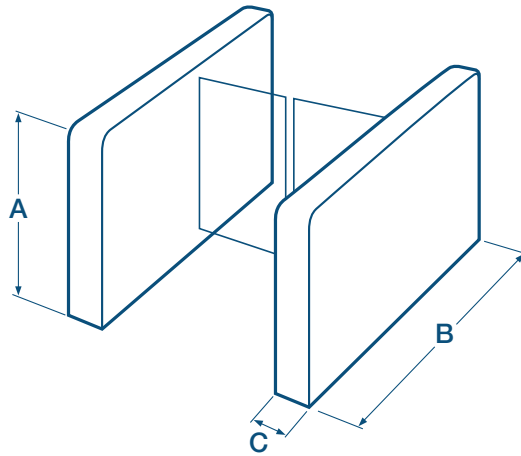
600mm	•	•	•	•	•	○	○			○
900mm	•	•	•	•	•	○	○	•	•	•

Disabled Access: 900mm net passage way and algorithm able to manage wheelchair access.
 2. In the event of a power failure the flap leaves will remain in the current position.

Electrical Data & Conditions of Use

Power Supply	Power Rating	Power Rating	Fire Signal	Operating Temperature	IP Rating	Noise Level
230Vac 50Hz ¹	20VA Stand by	120VA In operation	Input for voltage free contact	+5°C to + 40°C RH 95% No condensing	IP20	Less than 55dB ²

1. 115Vac 60Hz also available on demand. 2. Note: Average background noise in office environment is 50-55dB



Dimensions & Weights

	Overall Height	Passage Width	A Cabinet Height	B Cabinet Length	C Cabinet Width ¹	Weight (kg) Side Cabinet	Weight (kg) Centre Cabinet
Standard short lane	940	600	940	1800	120	75	90
Wide short lane	940	900	940	1800	120	78	96

Dimensions in (mm). Weight net (kg). Might require lifting equipment. For details refer to installation detail drawings.
 1. Add 65mm for side cabinet or 130mm for centre cabinet due to column rotor.

Installation & Maintenance

Product Delivery	Application	Site Preparation ¹	Cabling & Conduits ²	Control Board Location	Systems Integration ⁵	Systems Integration ⁵	Maintenance Access	MTTR ³	MCBF ⁴
Pre-assembled or kit form as option	Indoor	Flat & level finished floor +/- 5mm	Through the ground	Into rotor column	27 digital interface I/O RS232 RS485	Settings programmable via parameters	Drive column and lid access	Less than 30 minutes	4 million (5 million if NO)

1. Bolting depth MIN 70mm, concrete MIN fckcube 30N/mm² resistance, MIN 2000 x 400 x 150 mm deep. 2. Running MIN 140 mm below finished floor level, should rise MIN 50mm from foundation. 3. Mean time to repair. 4. Mean cycle between failure. 5. Potential free contact for card reader input. New Electronic Platform with in-built RS485 and COMR1 switching interface.

It is the customer's responsibility to ensure the structural integrity and strength of the installation location.

Data provided is for information only, please refer to your usual Gunnebo Customer Service contact in order to prepare the installation site.



Want to see SpeedStile FLs DS in full action?
 Scan this QR code with your smartphone.
 Or search for "SpeedStile FLs DS" on YouTube.

Gunnebo SpeedStile FL^s



Take advantage of our knowledge:
www.gunneboentrancecontrol.com

GUNNEBO®