

STREAMLINE

LED GADELAMPE



170
LM/W

.....
Die-cast Housing
With tempered glass
Surge Protection 6KV
With Anti-UV lens
.....



Smooth Surface
Eliminate the risk of dust and water accumulation



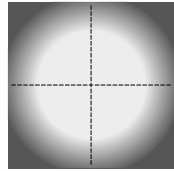
Streamlined design
minimize light loss

IP66

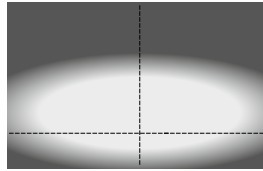




The symmetric light distribution is ideal for illuminating squares, plazas and other open areas while the asymmetric light distribution is ideal for illuminating streets and pathways.

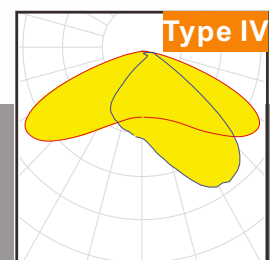
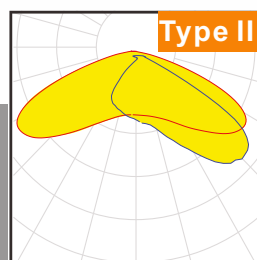
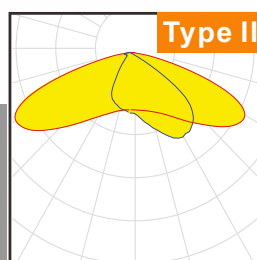
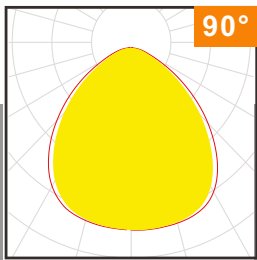


Symmetric

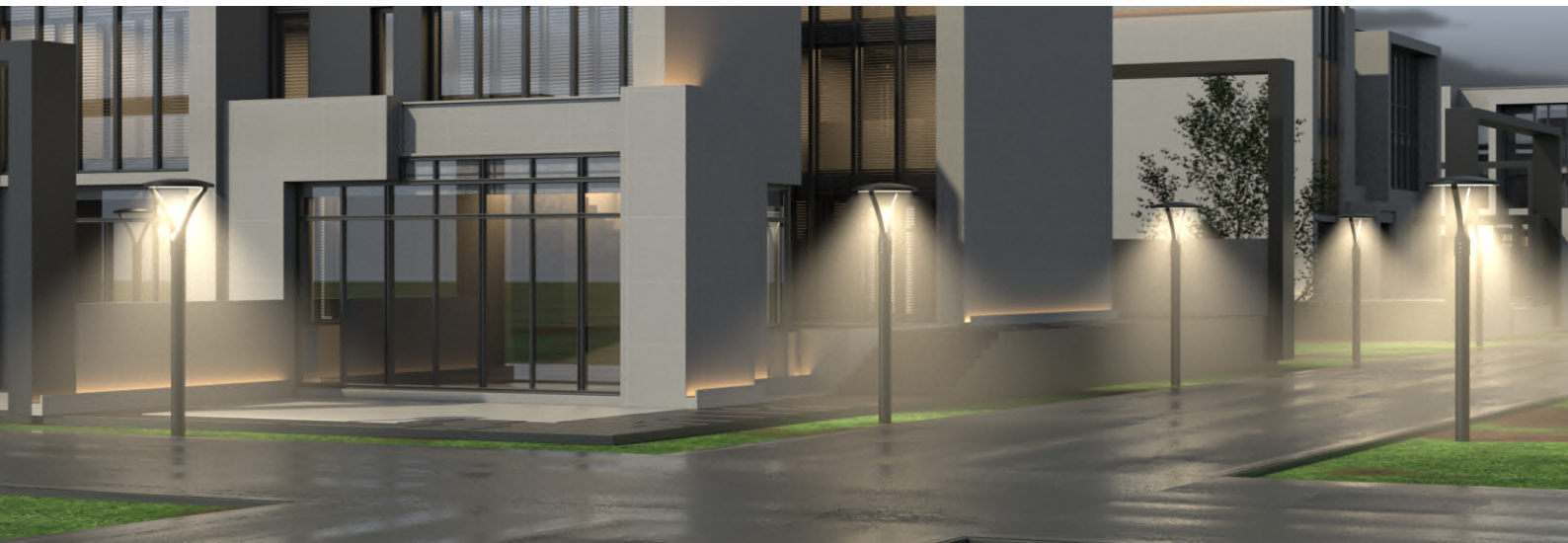


Asymmetric

Professional Optics



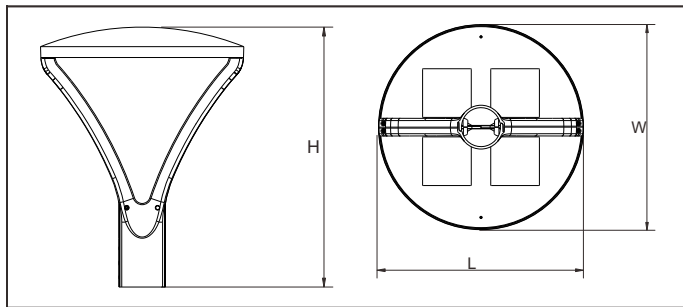
IESNA STANDARD	Roadway width / Mounting Height	
	One side mounting	Both side mounting
Type II	Up to 1 times MH	Up to 2 times MH
Type III	Up to 1.5 times MH	Up to 3 times MH
Type IV	Up to 2 times MH	Up to 4 times MH





Features

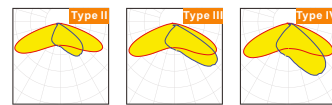
Housing: Die-cast Aluminum
 Thermal Conductivity: 96 W/m·K
 Led: Philips
 CRI: Ra>80
 SDCM: <4
 Power Factor: >0.95
 THD: <15
 Driver: Meanwell
 Driver Efficiency: >93%
 Protection: OTP, OCP, OVP, SCP
 Surge Protection: 6KV
 Waterproof: IP66
 Impact Test: IK08
 Electrical: 100-277V, 50/60Hz
 Operating Temperature: -40~50°C
 TM21: L90B10>50,000H
 Lifetime: 50,000H



Functions

PWM · DALI · 0/1~10V

Optical options:



170 lm/w

5 YEARS WARRANTY

Meanwell Driver

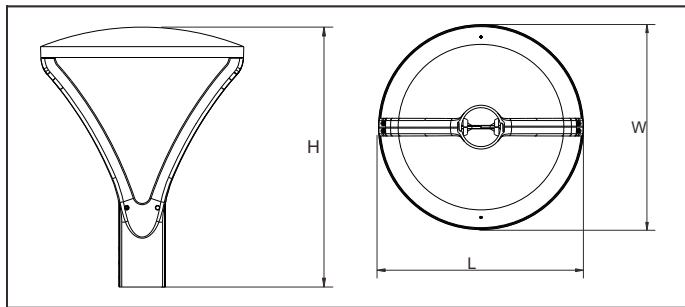
Philips LED

Model	Watt	Voltage	Lumen	CRI	IP	Dimension
64112	30W	100~277V	5100LM	>80	IP66	L422*W422*H539MM
64114	40W	100~277V	6800LM	>80	IP66	L422*W422*H539MM
64116	60W	100~277V	9600LM	>80	IP66	L422*W422*H539MM
64118	90W	100~277V	13500LM	>80	IP66	L422*W422*H539MM



Features

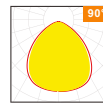
Housing: Die-cast Aluminum
 Thermal Conductivity: 96 W/m·K
 Led: Philips
 CRI: Ra>80
 SDCM: <4
 Power Factor: >0.95
 THD: <15
 Driver: Meanwell
 Driver Efficiency: >93%
 Protection: OTP, OCP, OVP, SCP
 Surge Protection: 6KV
 Waterproof: IP66
 Impact Test: IK08
 Electrical: 100-277V, 50/60Hz
 Operating Temperature: -40~50°C
 TM21: L90B10>50,000H
 Lifetime: 50,000H



Functions

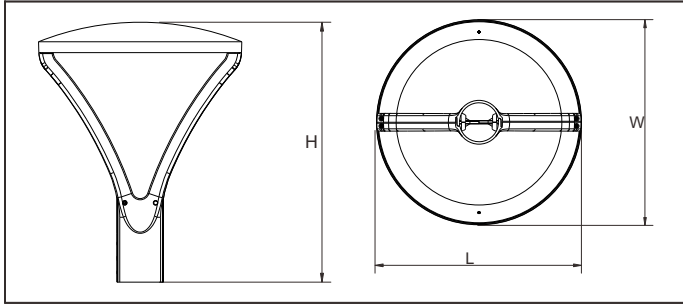
PWM · DALI · 0/1~10V

Optical options:



Model	Watt	Voltage	Lumen	CRI	IP	Dimension
LN030HEGH-PM	30W	100~277V	4500LM	>70	IP66	L422*W422*H539MM
LN040HEGH-PM	40W	100~277V	6000LM	>70	IP66	L422*W422*H539MM
LN060HEGH-PM	60W	100~277V	9000LM	>70	IP66	L422*W422*H539MM
LN090HEGH-PM	90W	100~277V	13500LM	>70	IP66	L422*W422*H539MM

Packing



Model	Outer Carton (mm)	QTY/CTN	N.W. (kg)	G.W. (kg)
LN030GE	520 470 227	1	5.7	6.8
LN040GE	520 470 227	1	5.7	6.8
LN060GE	520 470 227	1	5.7	6.8
LN090GE	520 470 227	1	5.7	6.8