

DARE TO STAND OUT

Let yourself be seduced by Element4







DISCOVER OUR SENSATIONAL CLUB SERIES!

Are you looking for a stylish world-class gas fireplace? A striking atmosphere maker that fits your trendy interior? Then choose a fireplace from the Club Series of Element4. This fireplace with new Ledburner® technology provides an intense experience thanks to LED lighting and realistic fire. It's the fireplace for design lovers like you.

*A fireplace that fits
you perfectly*

Our Club Series gas fireplaces are equipped with stylish LED lighting and are an impressive eye-catcher in every room. The so-called 'Ledburner®' offers a unique combination of LED lighting and fire, with no less than 7 different colour options. This way you can fully adapt the fireplace to the ambiance you want at that moment. In addition, the fireplace gives off exactly the right amount of heat, because the flame picture, the temperature and the lighting are optimally controllable.

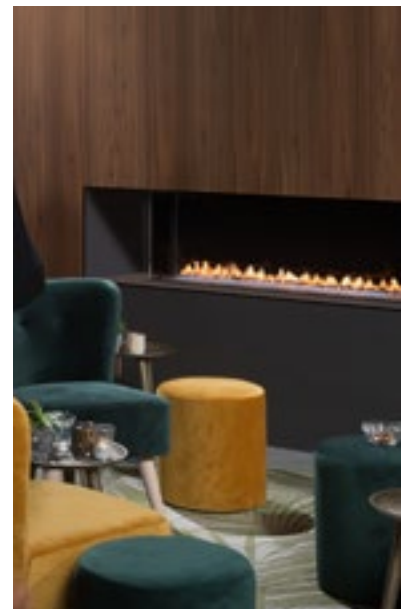
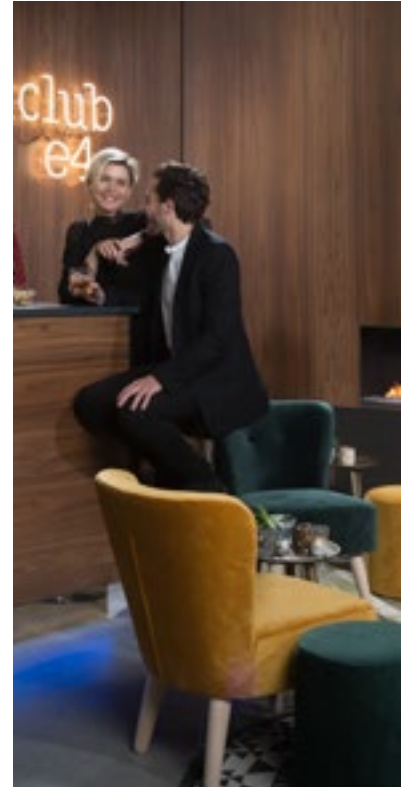
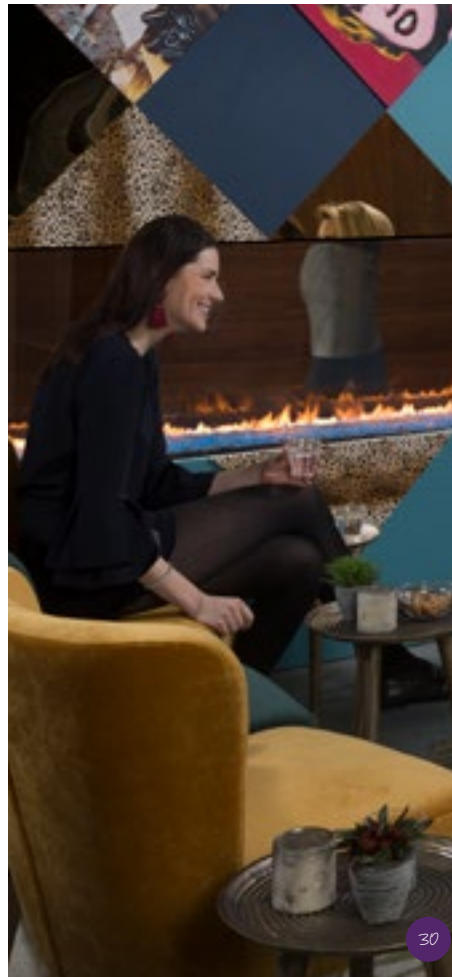
DUTCH COMMON SENSE WITH GLOBAL ALLURE

Element4 is a top Dutch brand. We work practically and pragmatically, but with a strong focus on design. This ensures that our fireplaces are loved around the world by designers, architects and trend-conscious consumers. As real 'Dutchies', technology is an important issue for us. Our fireplaces have the most advanced technical features: they are efficient, can be controlled remotely and have an adjustable flame picture. This makes us a real trend-setter on the international market.

Enthusiastic? Find out about our amazing range of club fires.

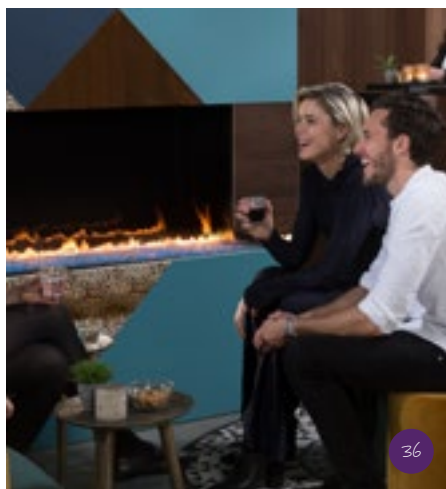
CONTENTS

- 06 LED BURNER
- 08 LOW SETTING
- 09 INSTALLATION DEPTH
- 10 DIGITAL CONTROL
- 12 CLOSED SYSTEM
- 13 POWER FAN
- 14 BACK WALLS
- 16 ANTI-REFLECTIVE
- 18 GLASS FUEL MEDIA
- 20 ACCESSORIES
- 22 PRODUCTS
- 52 TECHNICAL INFORMATION





24



30

FRONT-VIEW FIREPLACE

- Club 140 F
- Club 240 F

24

26
28

SEE-THROUGH FIREPLACES

- Club 140 T
- Club 240 T

30

32
34

CORNER FIREPLACES

- Club 140 C
- Club 240 C

36

38
40



42



46

3-SIDED FIREPLACES

- Club 140 3/S

42

44

ROOM DIVIDERS

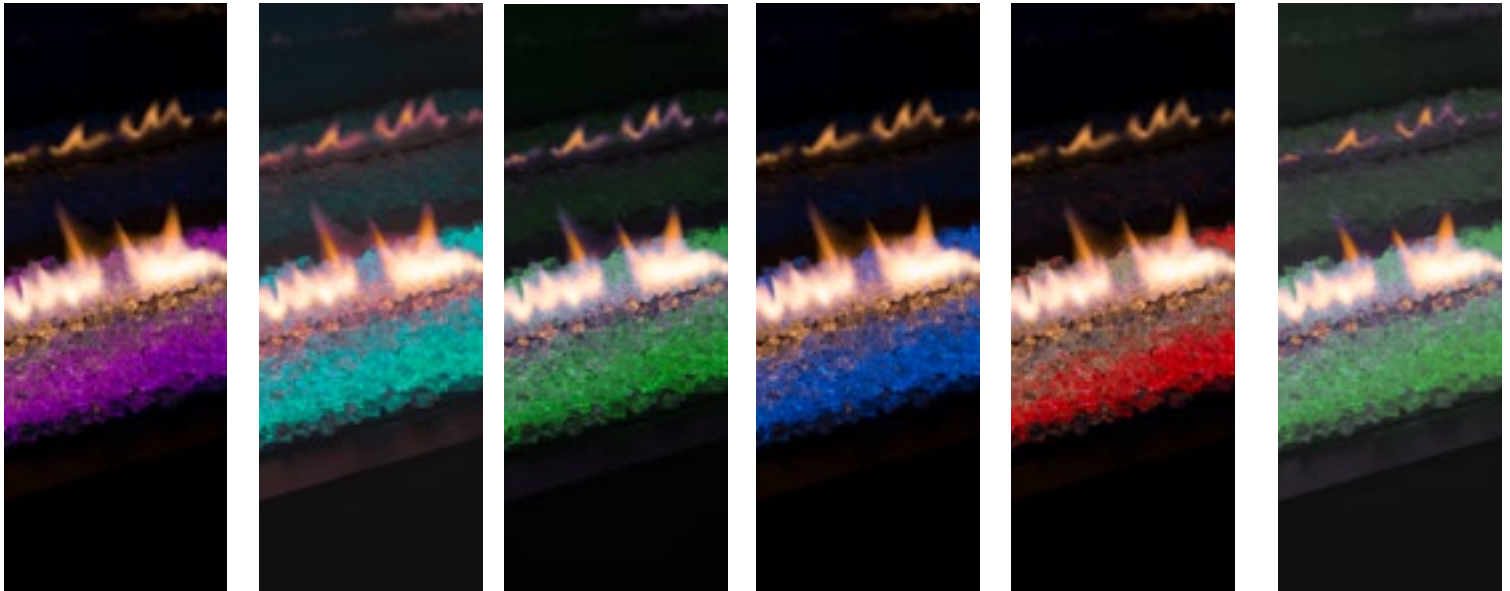
- Club 140 RD
- Club 240 RD

46

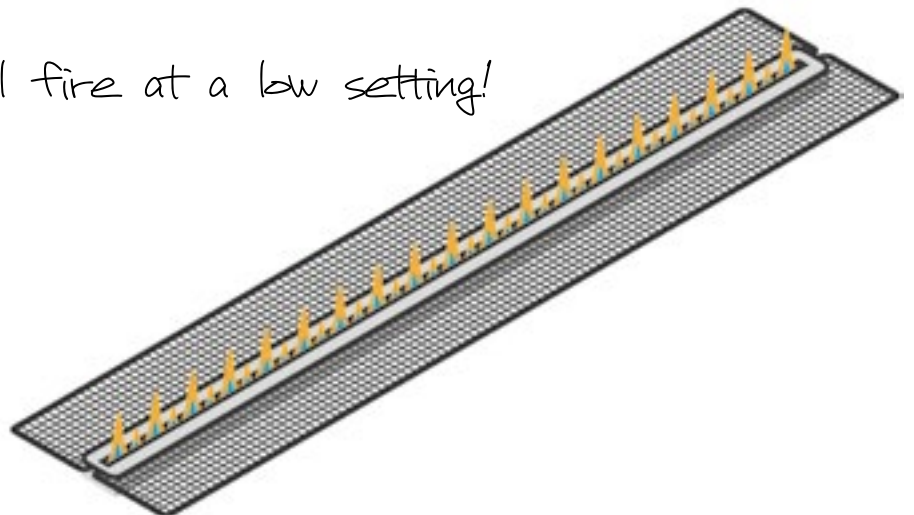
48
50

DISCOVER THE LED BURNER!

The Club Series gas fireplaces come standard with the innovative Ledburner®. This burner forms a combination of LED lighting and fire, with no less than 7 different colour options. This way you can fully adapt the fireplace to create the atmosphere you need at that moment. In addition, the fireplace delivers exactly the right amount of heat, because the flame picture, temperature and LED lighting are optimally adjustable.



Enjoy the most beautiful fire at a low setting!





WE PROUDLY PRESENT TO YOU:

THE MOST BEAUTIFUL FIRE AT A LOW SETTING

At Element4 we see it as a challenge to get the most out of our fireplaces. Our aim? Creating a lovely ambiance with a great flame picture, regardless of the power on which the gas fireplace is running. This applies to our regular gas fireplaces, but also to our Club Series gas fireplaces. Now you can enjoy a beautiful fire, even with the lowest possible gas consumption. It is no coincidence that we dare to say that a gas fireplace from Element4 "has the most beautiful fire at a low setting".





ELEMENT4 | *Installation depth*

SAVE ROOM THANKS TO MINIMAL INSTALLATION DEPTH

Do you have limited space available or do you want a gas fireplace that is as flat as possible to meet your design needs? Then an Element4 fireplace is the right choice for you. Our Club Series gas fires require an installation depth of only 25cm. This is ideal if you have a narrow room or if you also want to install a mantel. Moreover, many designers and architects opt for our shallow fireplaces because of the spatial effect in the interior.

DIGITAL CONTROL



PRO CONTROL

Want to easily control your gas fireplace with your Smartphone or Tablet? It is possible with ProControl from Element4. ProControl is the perfect choice if you want to control your fireplace remotely, without the use of a home automation system. All you need is the supplied Element4 Wi-Fi box. The rest is already present in your fireplace and in the user-friendly ProControl app that you install on your smartphone or tablet. It could not be easier!



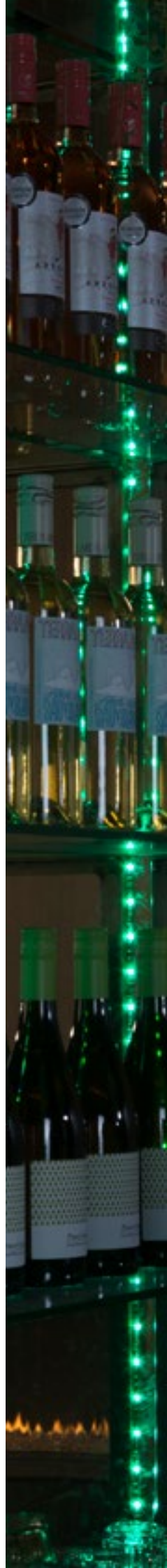
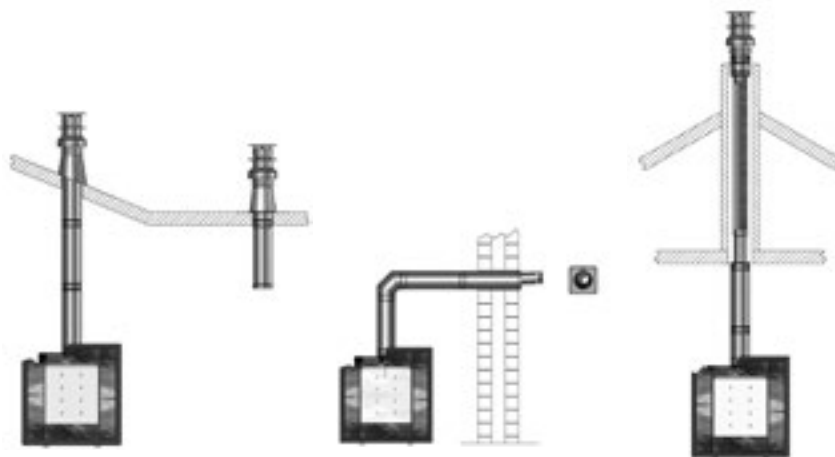
DOMOTICA

Do you want to control your Element4 gas fireplace with your existing home automation system? It's possible! Using home automation you can switch the gas fireplace on and off, turn it up or down and control the double burner. The installation is simple: you connect an Element4 home automation cable to the receiver of your gas fireplace and connect it to your home automation system. The rest speaks for itself. And if you cannot get it to work, your nearest dealer is always there to help you.



DISCOVER THE ADVANTAGES OF OUR CLOSED SYSTEM

Like the other gas fireplaces from Element4, the Club Series also works on a balanced flue system. Briefly, this means that the fireplace is not open to the room, but is completely enclosed. The fresh air and the flue gases run through the same, double-walled pipe that is connected to the outside air. What is the big advantage of a closed system? The flames are always behind the glass. This is safer and ensures heat retention in the fireplace, with a higher convection heat and pleasantly warm room as a result. In addition, the supplied cold outside air is already preheated by the double-walled pipe. This ensures a greater efficiency on your Club Series gas fireplace.





WITH THE POWER-FAN YOU CAN ENJOY A GAS FIREPLACE ANYWHERE

Want to install your Club Series gas fireplace in a place where there is no room for an exhaust pipe? You can do it with the Powerfan. This smart solution makes it possible to create a carry-over of no less than 36 meters within the flue. This allows you to install your Club Series gas fireplace in places where it previously was not possible. And the handy thing is: the device itself regulates the correct settings for the supply and removal of air.



BACK WALLS

Your Club Series gas fireplace comes standard with a steel back wall. Alternatively, you can equip the fireplace with a black glass back wall. This way, you can easily adjust the fireplace to your unique interior.

The choices vary according to the type of fireplace, so check carefully which back wall is available for your fireplace.

We offer the following styles and designs:



BLACK STEEL



BLACK GLASS

Choose your own style!



ELEMENT4 | *Anti-reflective glass*



ANTI-REFLECTIVE GLASS

Want to enjoy an even more beautiful flame picture with your Club Series gas fireplace? Want to feel like you are looking straight into the fire? Have your fireplace equipped with anti-reflective glass. This glass prevents annoying glare on the glass and is virtually invisible to the eye. Even when the fireplace is turned off, you cannot see the glass. This allows you to benefit from the best of both worlds: the convenience and comfort of a closed fireplace, with the atmosphere and flames of a real fireplace.



View the technical overview on page 52 to see which of the fireplaces can be used with anti-reflective glass.



FUEL BED

Your Club Series gas fireplace comes with a stylish glass crystal fuel bed. This optimally highlights the LED lighting.









YOUR FIRE IS COMPLETE WITH THE RIGHT ACCESSORIES

1 SERVICE HATCH

Do you have a gas fireplace without a frame? Then you need a service hatch for mounting the gas control block. The service hatch has an installation size of 250 mm x 175 mm (H x W) and is designed to be sleek and stylish. This way you are assured of an optimal match with the chimney breast.

2 WALL SWITCH

With a stylish switch on the wall, you can easily switch your gas fireplace on or off. You can also control the temperature with a touch of a button. It's a simple solution that is very easy to use.

3 REMOTE CONTROL

Our remote control features the E-Save control system. This allows you to switch the fireplace on and off remotely and to select different burner and temperature settings. Thus you save at least 40% on gas.

4 VENTILATION GRILL

It is important that the chimney breast of your gas fireplace is well ventilated. This is achieved by placing ventilation grills on the sides of the chimney breast. This prevents high temperatures in the chimney breast and any cracks in the plaster. In addition, you benefit from optimal heat dissipation. The ventilation grill has an installation dimension of 231 mm x 43 mm (H x W) and has a high level of finish.

PRODUCTS

Looking for a contemporary and striking gas fireplace to be the centerpiece of your interior?

Meet our high-profile Club Series. From front-view fireplaces and see-through fireplaces to room dividers and 3-sided fireplaces, with a gas fireplace from our Club Series, you enjoy:

- A design fireplace with realistic flame picture and LED lighting in 7 different colors
- Adjustable heat, flame picture and lighting using an app, home automation or remote control.

Like our other gas fireplaces, the Club Series are easy to maintain and have a low installation depth of just 25 centimeters. This way you also save valuable space. In addition, you benefit from the most beautiful fire, even on a low setting.





ELEMENT4 | *Front-view fireplaces*





Introduction

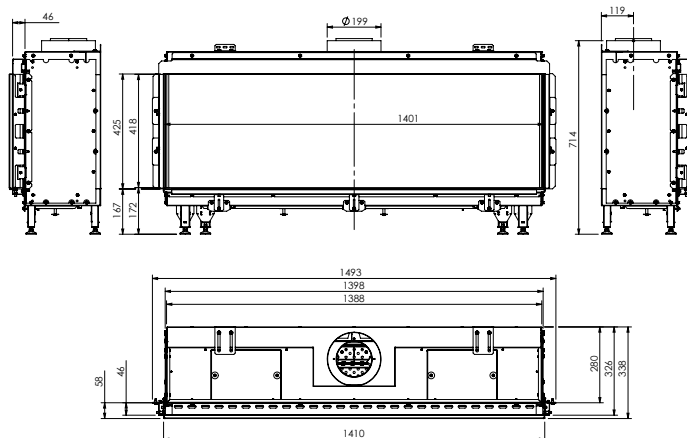
FRONT-VIEW FIREPLACES

A front-view fireplace has one glass plate and offers a beautiful view of the fire and the stylishly lit fuel bed at the front. You can perfectly apply a front-view fireplace in a mantel or matching casing. Did you know that with an Element4 fireplace you only need 25 centimeters of installation depth? This way you make optimum use of the (limited) space. Be inspired by our collection and discover which type of fireplace is right for you.




Club 140 F







 Led burner

Natural gas G25 (min - max): 4,7 - 17,2 kW

 Natural gas G20 (min - max): 5,4 - 19 kW
 Propane G31 (min - max): 2,2 - 16,5 kW
 Return: 89%

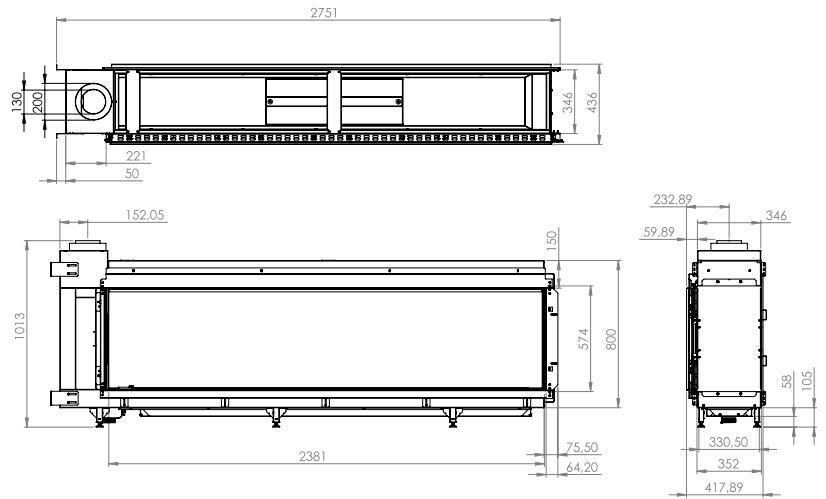
 Black steel: Standard
 Black glass: Optional

 E-save: Standard
 ProControl: Optional
 Powerfan: Optional
 AR-glass: Optional



Club 240 F






 Led burner


Natural gas G25 (min - max): 5,8 - 19,6 kW

Natural gas G20 (min - max): 5,8 - 19,6 kW

Propane G31 (min - max): 6,3 - 21,2 kW

Return: 89%

-  Black steel: Standard
- Black glass: Optional

- E-save: Standard
-  ProControl: Optional
- Powerfan: Optional
- AR-glas: -







Introduction

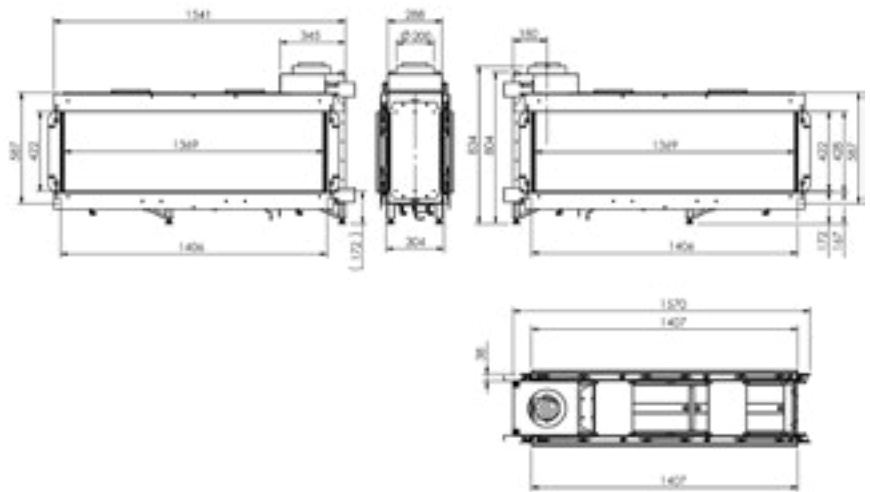
SEE-THROUGH FIREPLACES

Do you prefer a see-through fireplace? Then you are choosing a beautiful eye-catcher. You place this type of gas fireplace in a wall, where the fire and the illuminated fuel bed are visible on both sides. This creates a special spatial effect. Moreover, a see-through fireplace creates an open connection between two rooms, allowing you to enjoy an atmospheric fire in two places at the same time. This is the perfect choice if you are looking for a Club Series gas fireplace with optimal spatial experience.



Club 140 T





 Led burner

Natural gas G25 (min - max): 4,7 - 17,2 kW

 Natural gas G20 (min - max): 5,4 - 19 kW

Propane G31 2,2 - 16,5 kW

Return: 89%

 Black steel: Standard
Black glass: Optional

E-save: Standard

 ProControl: Optional

Powerfan: Optional

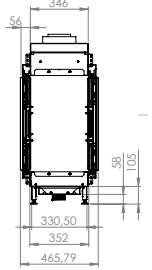
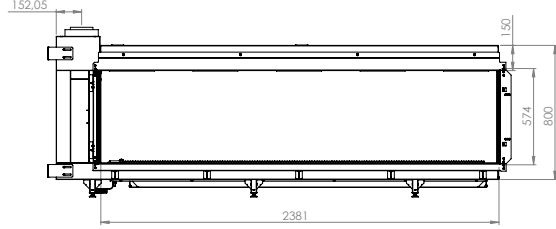
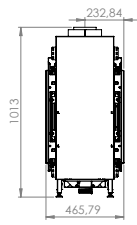
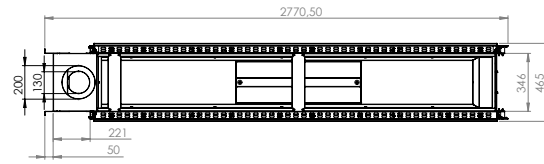
AR-glass: Optional



ELEMENT4 | *See-through fireplaces*

Club 240 T





 Led burner


Natural gas G25 (min - max): 5,8 - 19,6 kW

 Natural gas G20 (min - max): 5,8 - 19,6 kW

Propane G31 6,3 - 21,2 kW

Return: 89%

 Black steel: Standard
Black glass: Optional

 E-save: Standard
ProControl: Optional
Powerfan: Optional
AR-glass: -







Introduction

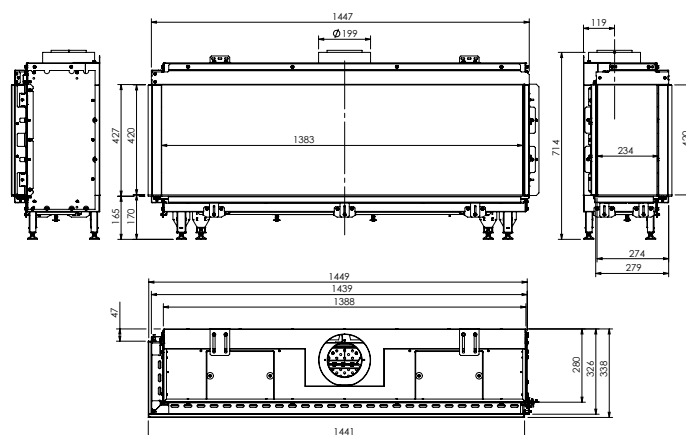
CORNER FIREPLACES

With a corner fireplace you create maximum atmosphere in your room. This type of gas fireplace offers a wide view of the sparkling flames and the colorful lighting in the fireplace. In addition, the corner fireplace provides even more atmospheric experience thanks to the extra window. Element4 offers a choice of various sizes, installation possibilities and capabilities. This way you will always find a corner fireplace that matches your installation situation and interior.



Club 140 C






 Led burner


Natural gas G25 (min - max): 4,7 - 17,2 kW

Natural gas G20 (min - max): 5,4 - 19 kW

Propane G31 (min - max): 2,2 - 16,5 kW

Return: 89%

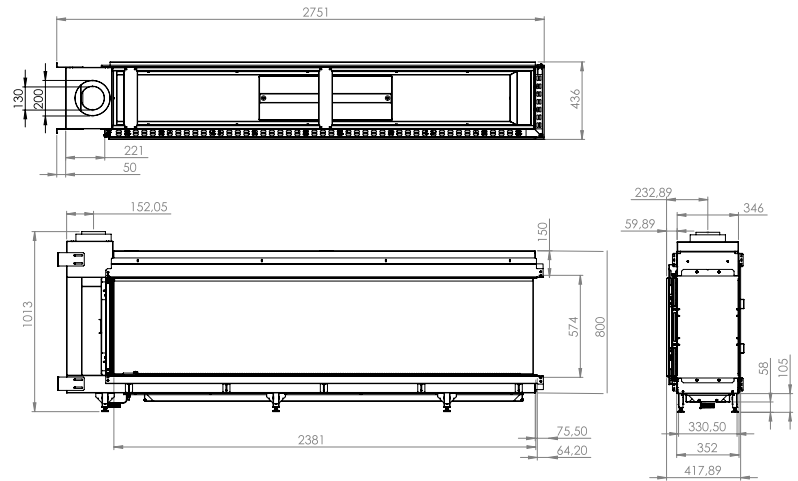
 Black steel: Standard
Black glass: Optional


 E-save: Standard
ProControl: Optional
Powerfan: Optional
AR-glass: Optional

 A


Club 240 C





 Led burner


Natural gas G25 (min - max): 5.8 - 19.6 kW

 Natural gas G20 (min - max): 5.8 - 19.6 kW

Propane G31 (min - max): 6.3 - 21.2 kW

Return: 89%

 Black steel: Standard
Black glass: Optional

 E-save: Standard
ProControl: Optional
Powerfan: Optional
AR-glass: -

 A

ELEMENT4 | 3-Sided fireplaces





Introduction

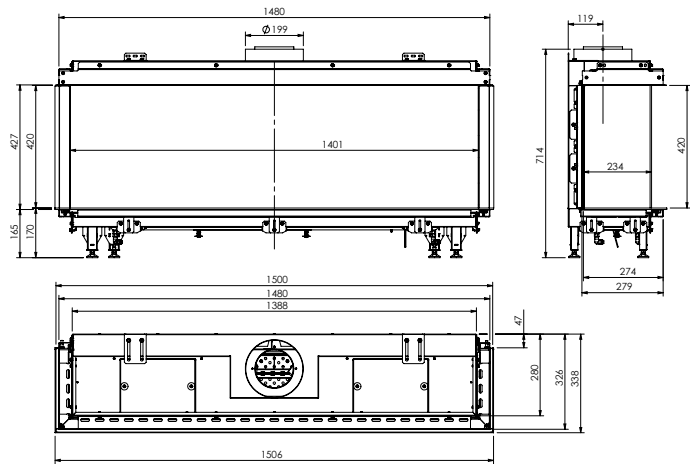
3-SIDED FIREPLACES

The 3-sided gas fireplace from the Club Series gives you a view of the fire and illuminated fuel bed from multiple angles. Thanks to the use of multiple glass plates, you can use this fireplace in many creative ways within your interior. Element4 offers a suitable model for every taste and style, available in various sizes. Be inspired by the collection and find the 3-sided gas fireplace that suits you.




Club140 3/S





 Led burner


Natural gas G25 (min - max): 4,7 - 17,2 kW

 Natural gas G20 (min - max): 5,4 - 19 kW

Propane G31 (min - max): 2,2 - 16,5 kW

Return: 89%

 Black steel: Standard
Black glass: Optional

 E-save: Standard
ProControl: Optional
Powerfan: Optional
AR-glass: Optional

 A





Introduction

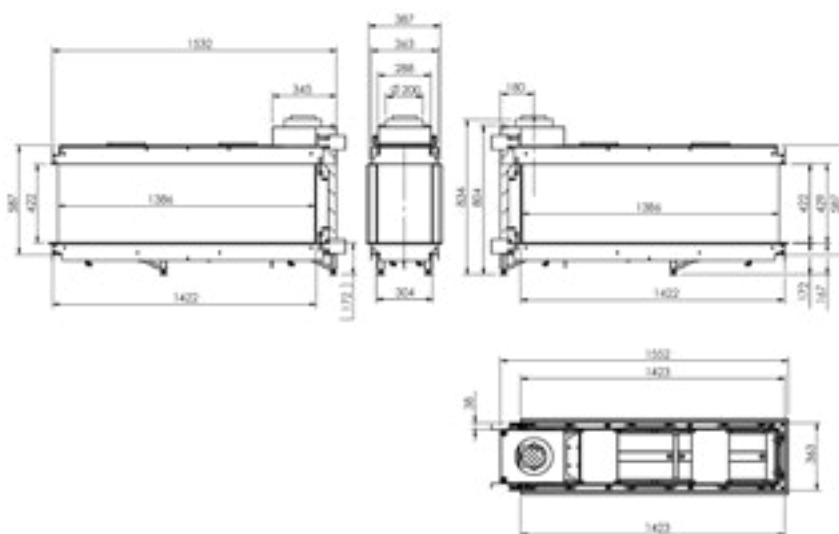
ROOMDIVIDERS

Choose a Club Series gas fireplace as a room divider and create a stylish separation between two different rooms. Thanks to the tall glass pane, you can view the realistic fire and the LED burner© from several positions. In addition, you can enjoy the warmth in both rooms. The room divider can be installed floating or in a wall. Discover our collection of room dividers and be inspired by the ambiance they create.



Club 140 RD






 Led burner


Natural gas G25 (min - max): 4,7 - 17,2 kW

Natural gas G20 (min - max): 5,4 - 19 kW

Propane G31 (min - max): 2,2 - 16,5 kW

Return: 89%

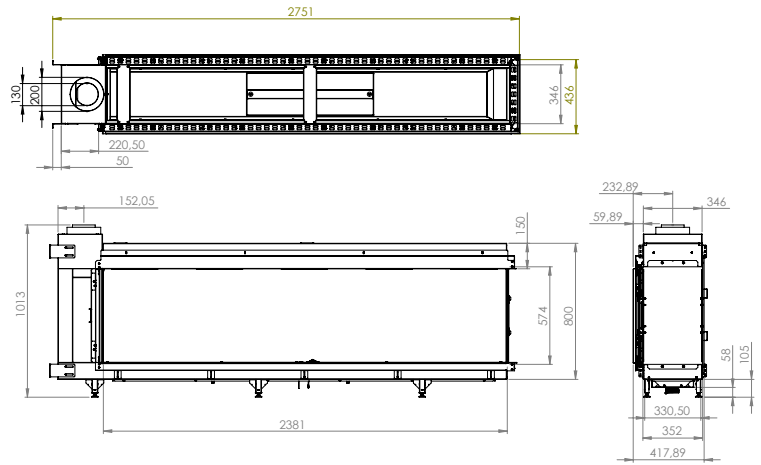
 Black steel: Standard
Black glass: Optional

 E-save: Standard
ProControl: Optional
Powerfan: Optional
AR-glass: Optional

 A

Club 240 RD





 Led burner


Natural gas G25 (min - max): 5,8 - 19,6 kW

Natural gas G20 (min - max): 5,8 - 19,6 kW

Propane G31 (min - max): 6,3 - 21,2 kW

Return: 89%

 Black steel: Standard
Black glass: Optional

 E-save: Standard
ProControl: Optional
Powerfan: Optional
AR-glass: -





Type fireplace

Natural gas

Propane

Net power kW min-max natural gas G25

Net power kW min-max natural gas G20

Net power kW min-max propane G31

Return

Energy label

Back wall - Black steel

Back wall - Black glass

Fuel bed - Crystal glass

E-Save

ProControl via @pp

Convection grill(s)

Service hatch

Fuel pipe Ø (mm)

Power Fan

AR-glass

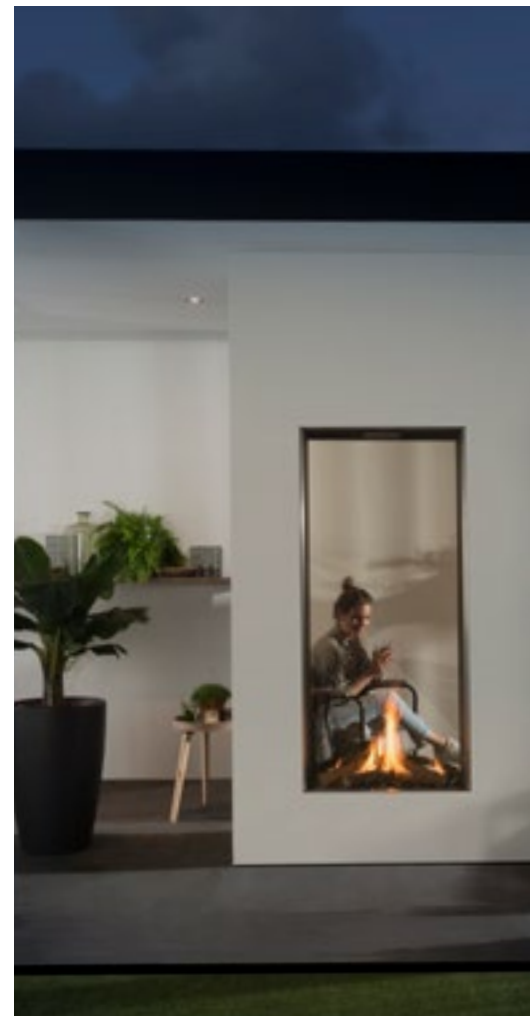
<i>CLUB 140 F</i>	<i>CLUB 240 F</i>	<i>CLUB 140 T</i>	<i>CLUB 240 T</i>	<i>CLUB 140 C</i>	<i>CLUB 240 C</i>	<i>CLUB 140 3/S</i>	<i>CLUB 140 RD</i>	<i>CLUB 240 RD</i>
Front	Front	See-through	See-through	Corner	Corner	3-Sided	Room dividers	Room dividers
● ●	● ●	● ●	● ●	● ●	● ●	● ●	● ●	● ●
4,7 - 17,2 5,4 - 19 2,2 - 16,5	5,8 - 19,6 5,8 - 19,6 6,3 - 21,2	4,7 - 17,2 5,4 - 19 2,2 - 16,5	5,8 - 19,6 5,8 - 19,6 6,3 - 21,2	4,7 - 17,2 5,4 - 19 2,2 - 16,5	5,8 - 19,6 5,8 - 19,6 6,3 - 21,2	4,7 - 17,2 5,4 - 19 2,2 - 16,5	4,7 - 17,2 5,4 - 19 2,2 - 16,5	5,8 - 19,6 5,8 - 19,6 6,3 - 21,2
89%	89%	89%	89%	89%	89%	89%	89%	89%
● ○	● ○	● ○	● ○	● ○	● ○	● ○	● ○	● ○
●	●	●	●	●	●	●	●	●
● ○	● ○	● ○	● ○	● ○	● ○	● ○	● ○	● ○
○ ○	○ ○	○ ○	○ ○	○ ○	○ ○	○ ○	○ ○	○ ○
200/130	200/130	200/130	200/130	200/130	200/130	200/130	200/130	200/130
○	○	○	○	○	○	○	○	○
○	-	○	-	○	-	○	○	-

LET OUR OTHER COLLECTIONS INSPIRE YOU

Element4 is a versatile and ambitious brand. We like to stay one step ahead and expand our range regularly with stylish newcomers. If you want, you can now equip all your favorite accommodation locations with an Element4 fireplace, whether it's your home, business premises or garden. Curious? Then take a look at our other collections!



Please visit www.element4.nl/en/brochures-1 and request the brochures!



Element4 always has the right fireplace
for you

ELEMENT
GAS FIRES 



ELEMENT
CLUB SERIES **4** 

BROCHURE 2018

Paxtonstraat 23
8013 RP Zwolle
Netherlands

+31 (0)38 420 90 20
info@element4.nl
www.element4.nl