

Showcase

Simple steel structures and welded rafters

GIVE STEEL A/S

Show case - Welded rafters

This show case presents a wide range of simple steel structures, typically used for retail, industry or agriculture.

With welded rafters we optimize weight, prize and CO₂ emission.

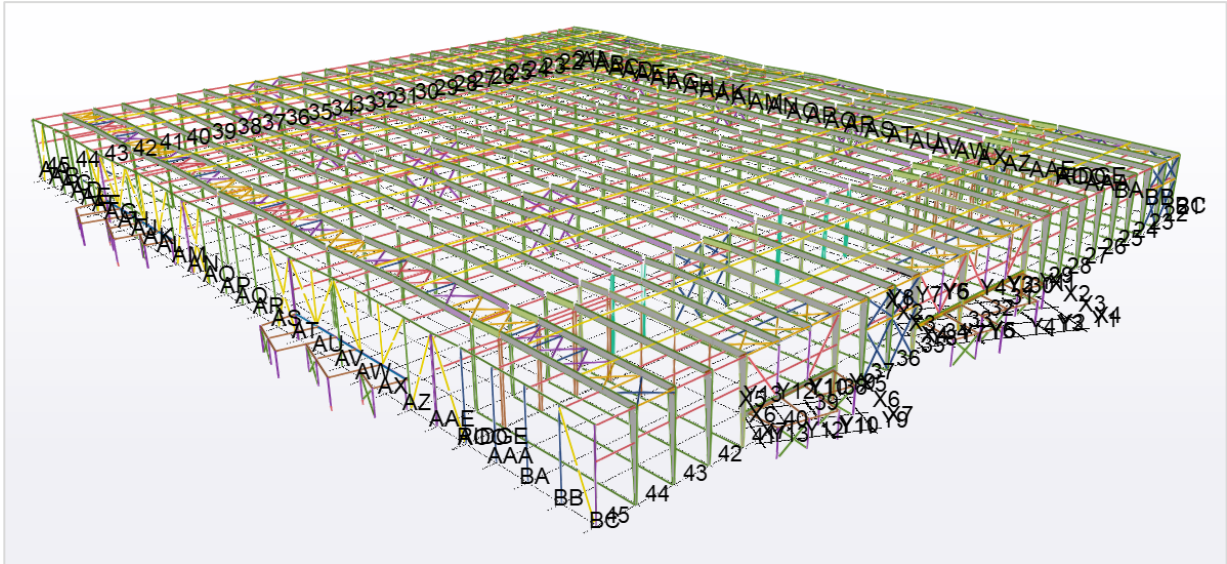
All structures are produced at our factory in Brande, Denmark.





Steel Structures for
Industry, warehouses and logistics

Frode Laursen



Project: 6696

Hall 12, 13,14,15 and 16

Customer: Dansk Hal A/S

Weight: 810 tonnes

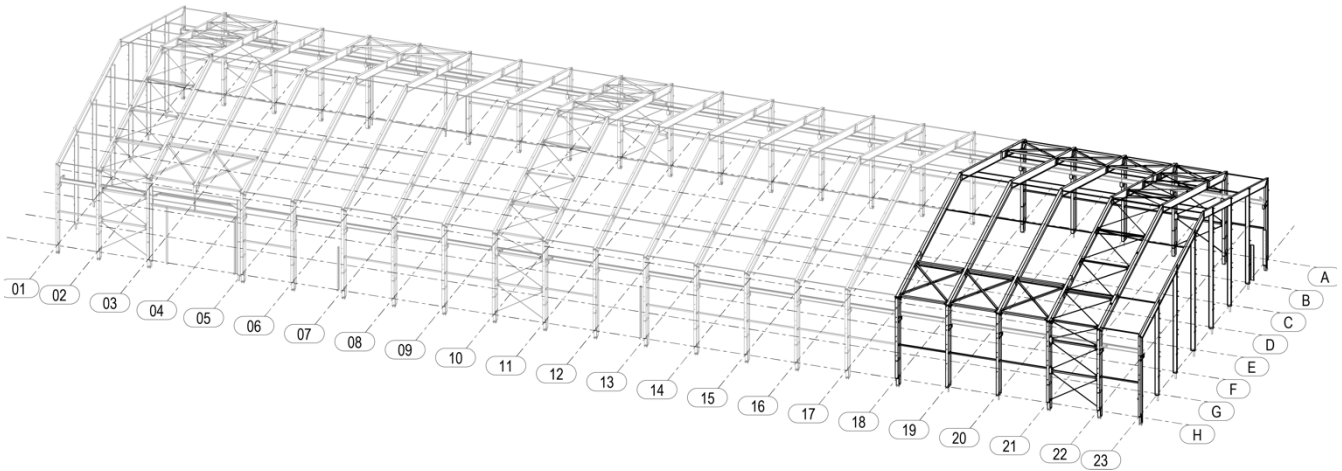
Area: 24.310 m2

Country: Sweden

Construction: Welded Rafters



Welcon Warehouse



Project: 8331

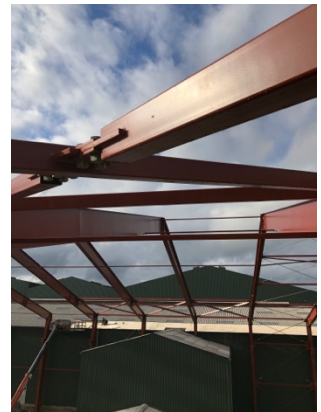
Customer: KT Erhvervsbyg A/S

Weight: 357 tonnes

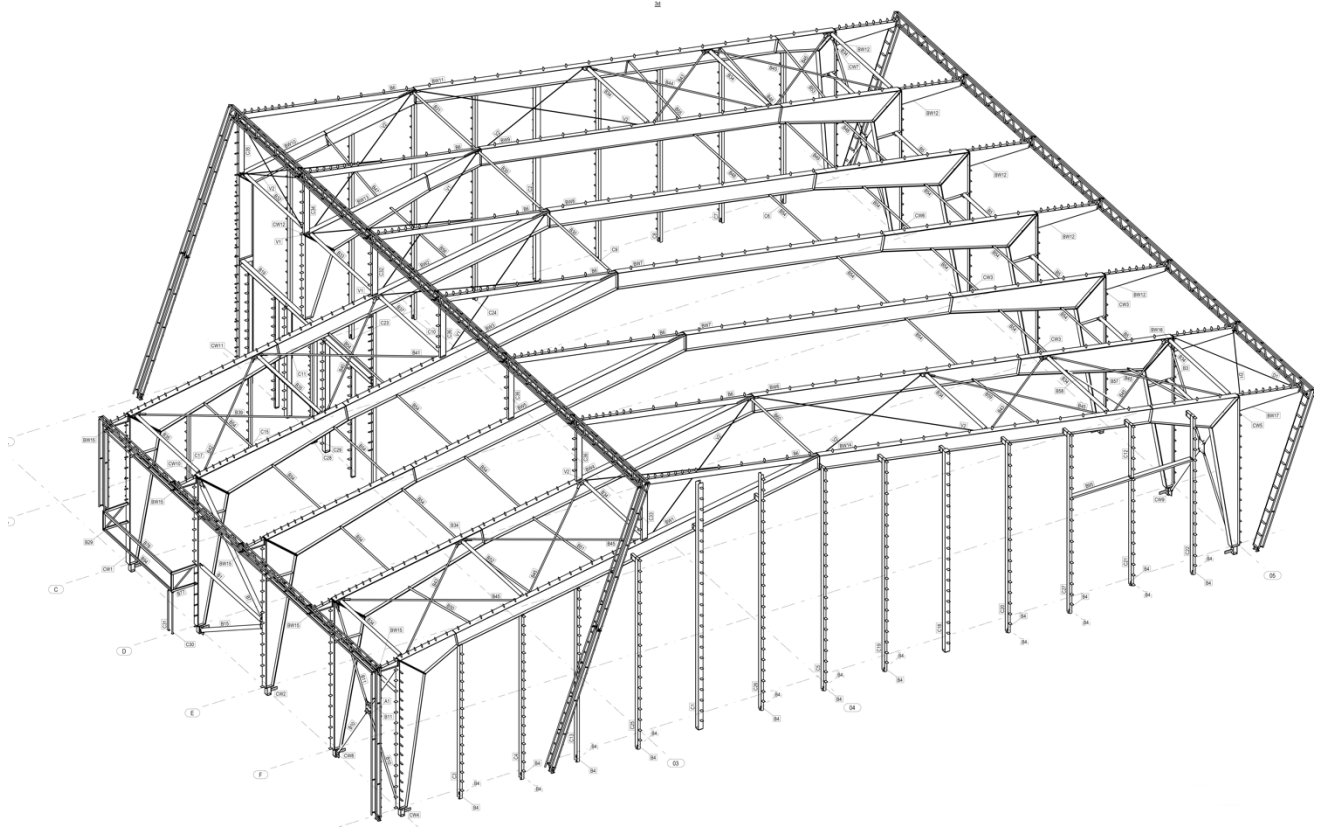
Area: 5.540 m²

Country: Denmark

Construction: Welded rafters



Samskib Warehouse



Project: 6010

Customer: NCC Construction Danmark A/S

Weight: 200 tonnes

Country: Aarhus Havn/ Port of Aarhus,
Denmark

Construction: Welded rafters



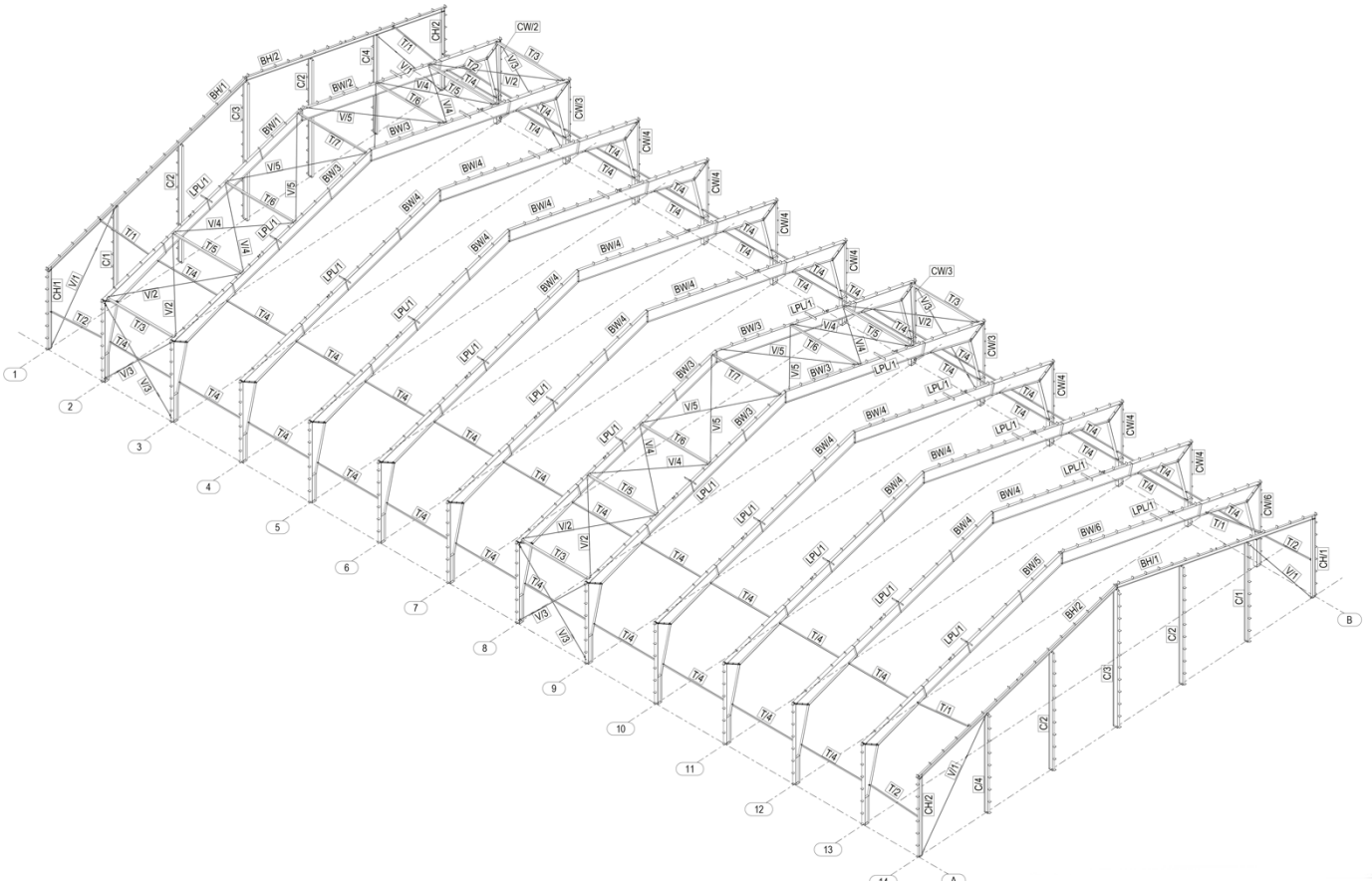
GIVE STEEL A/S

Show case - Welded rafters



Steel Structures for **Retail**

Simple Steel Structure for Retail store: Bygma Herring



Project: 8570

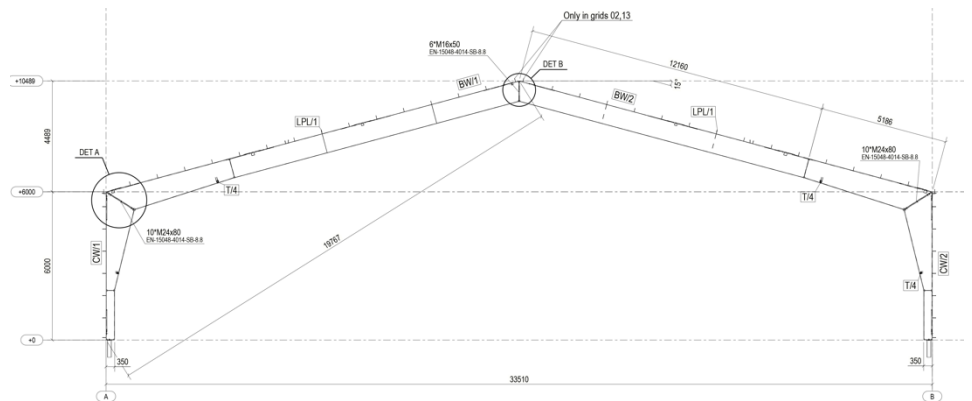
Customer: Bygma Herring

Weight: 53 tonnes

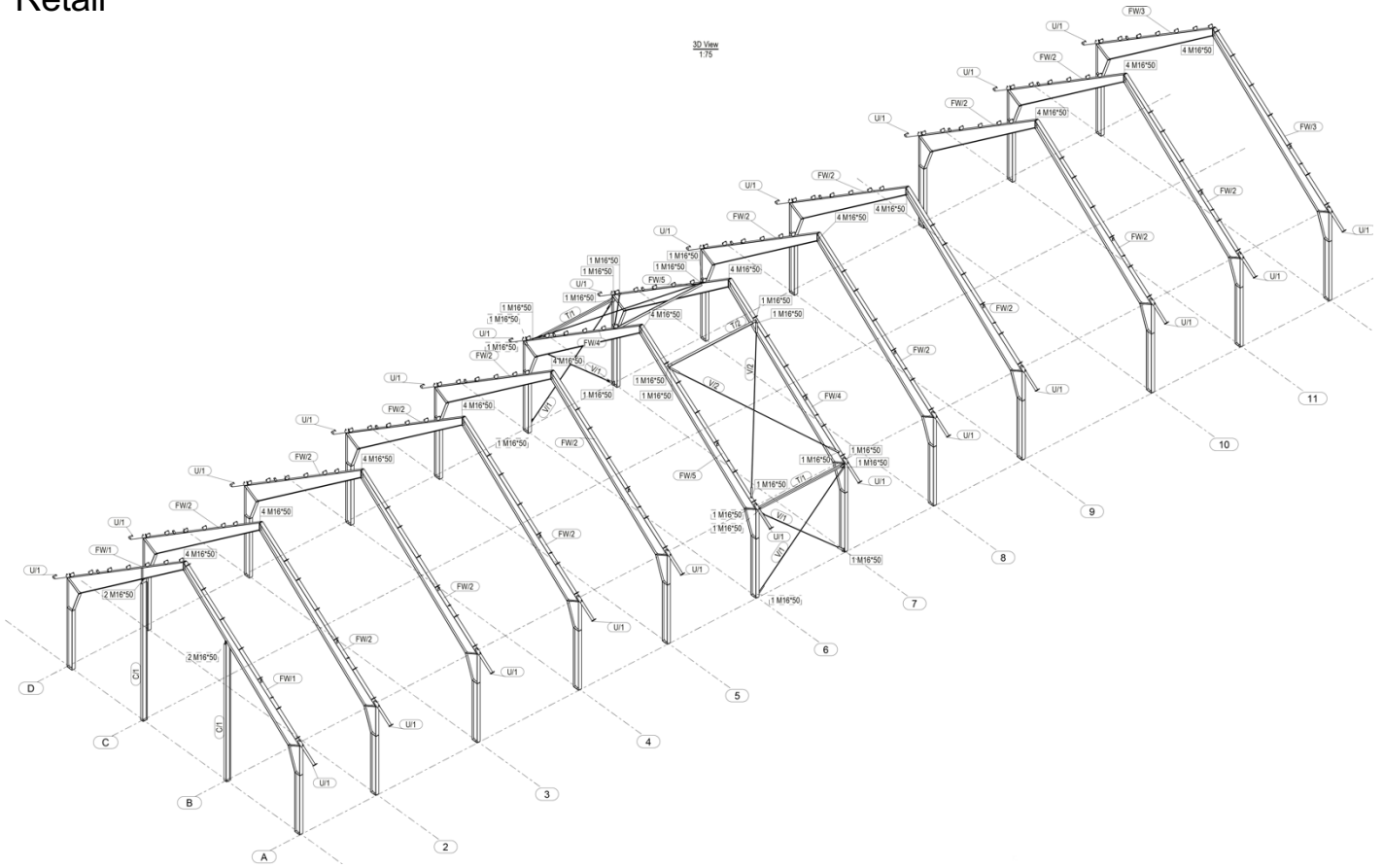
Area: 1055 m²

Country: Denmark

Construction: Welded rafters



Simple Steel Structure Retail



Project: 8537

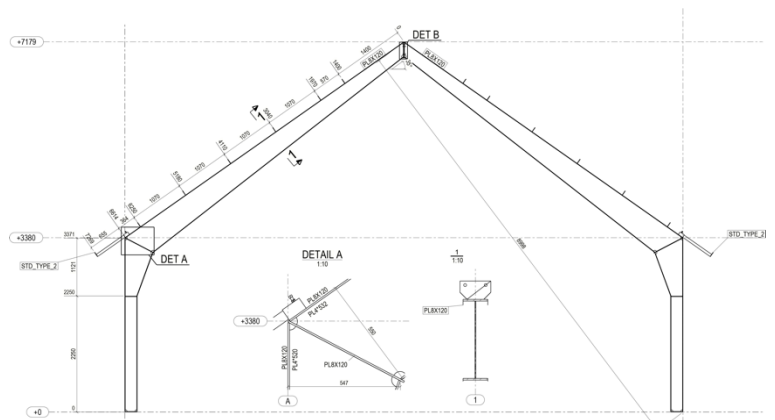
Customer: Østrup Tømmer- og Snedkerforretning ApS

Weight: 6,9 tonnes

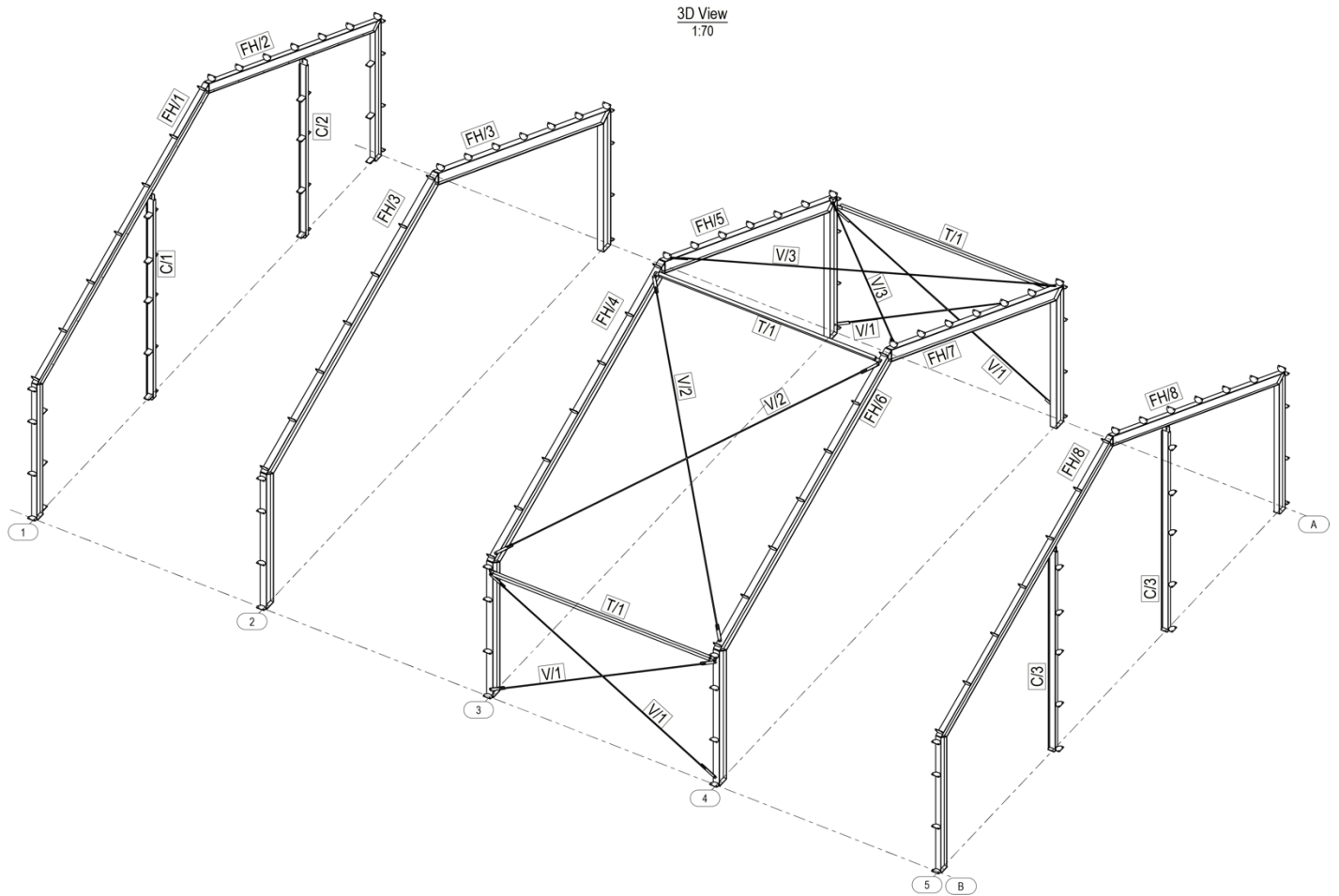
Area: 440 m²

Country: Denmark

Construction: Welded rafters



Simple Steel Structure



Project: 8462

Customer: Stensbo Huse ApS

Weight: 3,5 tonnes

Area: 210 m²

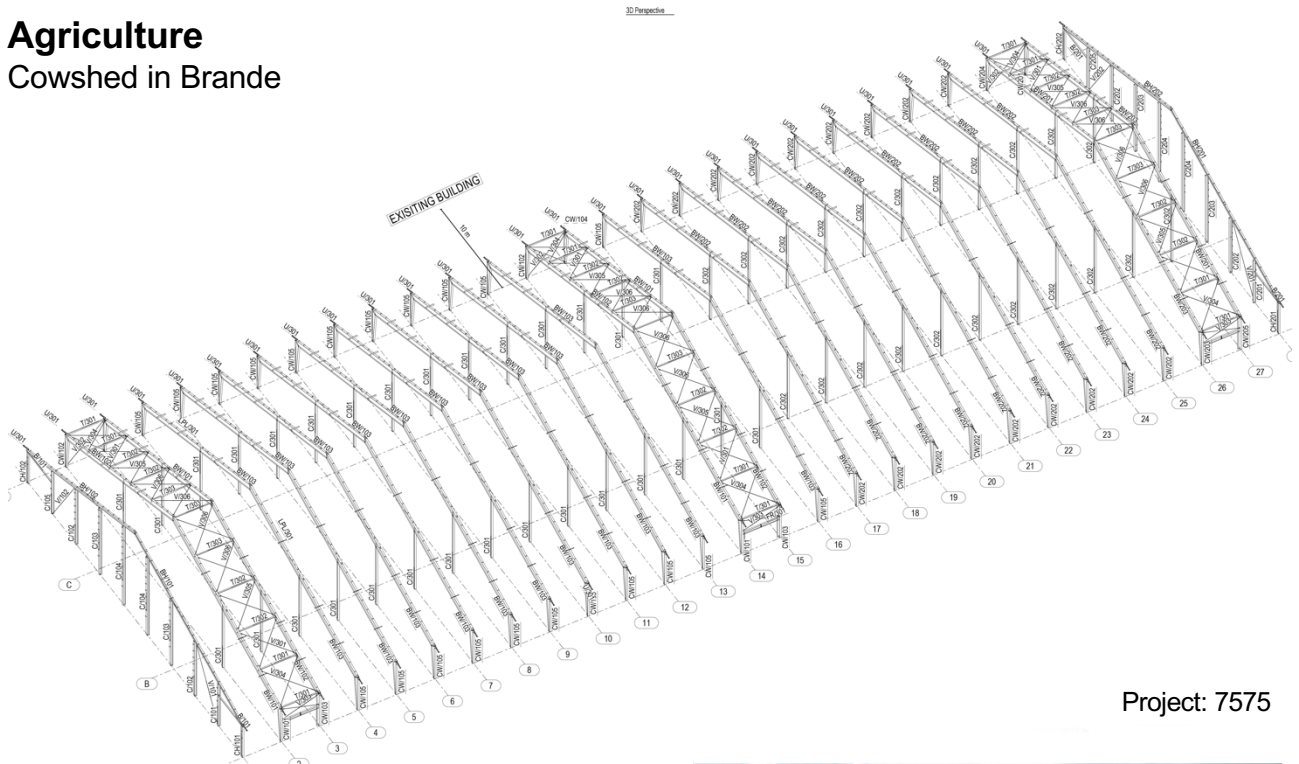
Country: Denmark

Construction: Welded rafters



Simple Steel Structure for
Agriculture

Agriculture Cowshed in Brande



Project: 7575

Customer: Per Lykke Ellegaard

Weight: 93 tonnes

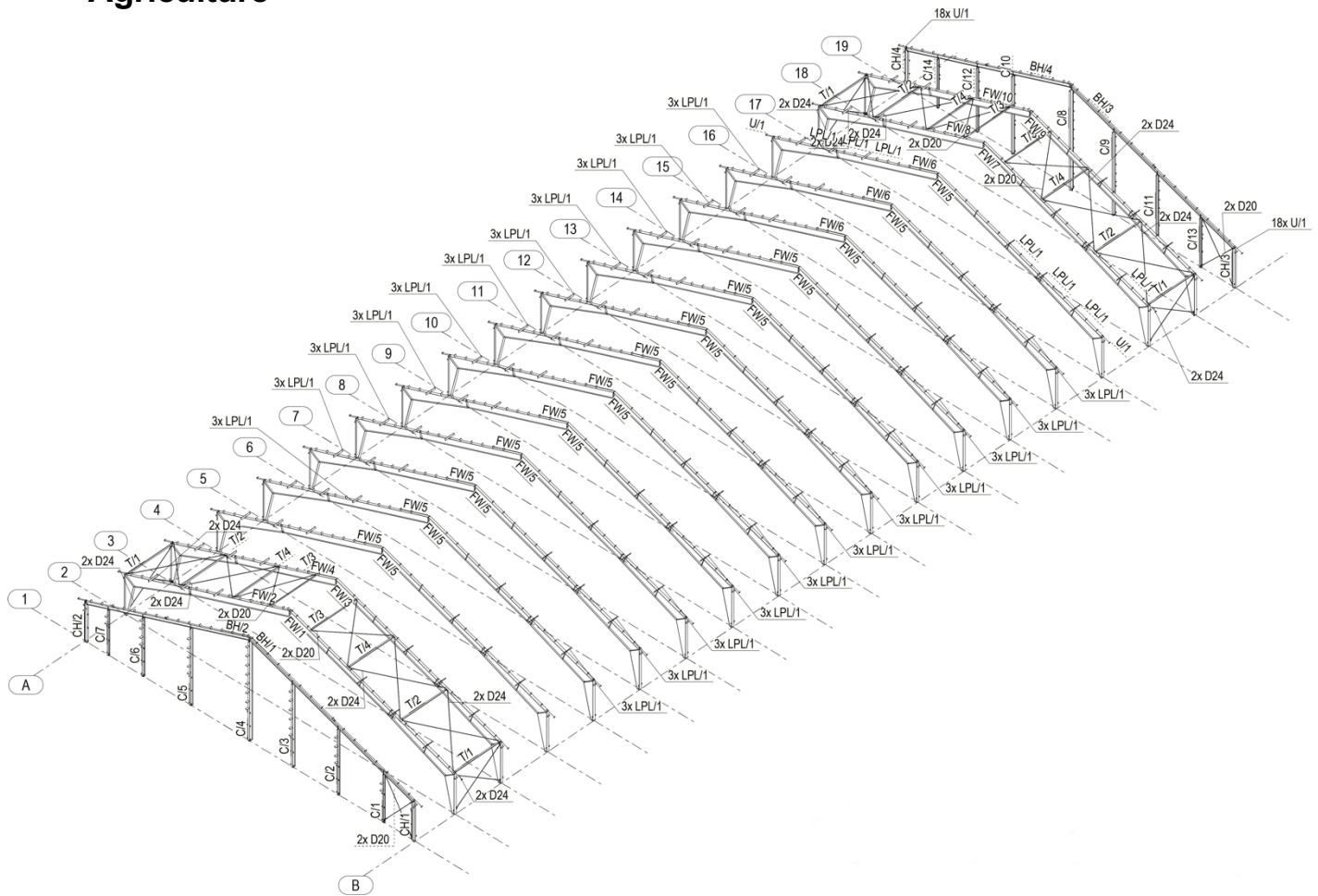
Area: 4700 m²

Country: Denmark

Construction: Welded rafters



Agriculture



Project: 8371

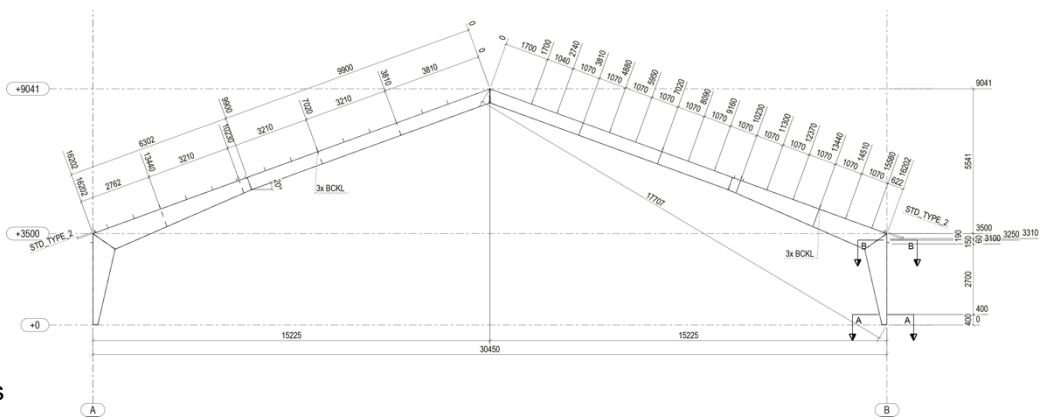
Customer: Niels H. Madsen

Weight: 52 tonnes

Area: 2350 m²

Country: Denmark

Construction: Welded rafters



Portfolio, Welded rafters

