



Machine Protective Fencing - KILO

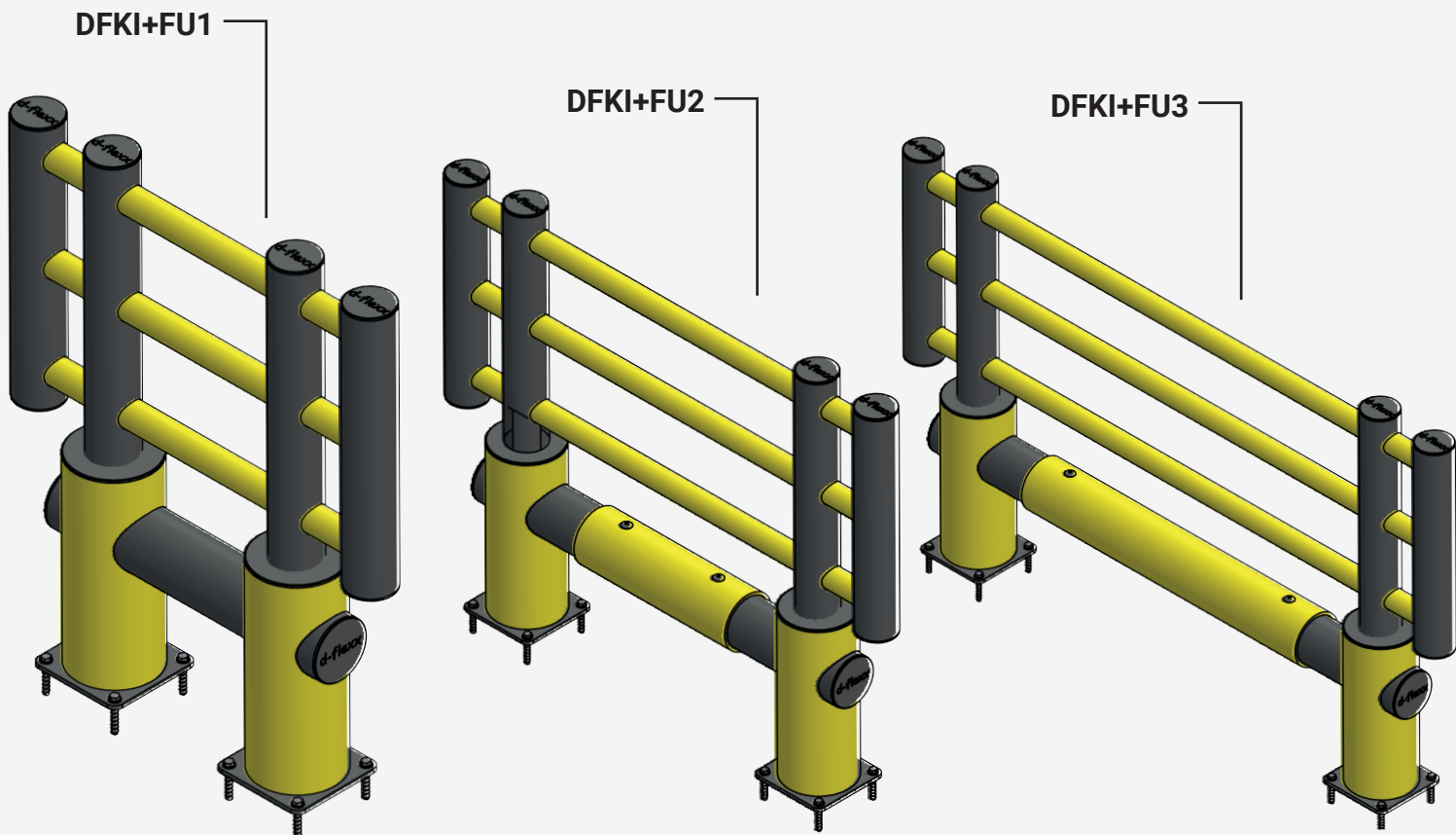


Table of contents

Art. No.	Description	Width	Weight	Page
DFKI+FU1	Machine protective fencing	1000 mm	39,5 kg	3
DFKI+FU2	Machine protective fencing	1500 mm	34,5 kg	3
DFKI+FU3	Machine protective fencing	2000 mm	48,77 kg	4

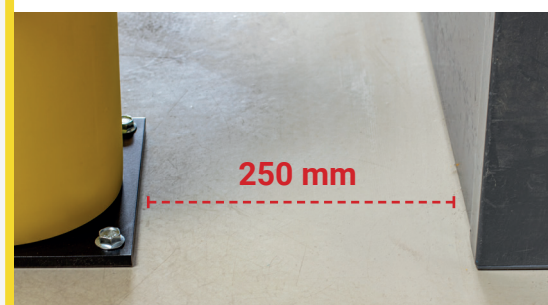
Technical Information

Material properties

Operational temperature range	-40° up to + 50°
Ignition Temperature	350 - 360°C
Flash Point	350 - 360°C
Toxicity	Nontoxic
Chemical Resistance	high - ISO/TR 10358
Hygiene Seals	Non
Standard Warranty	5 years

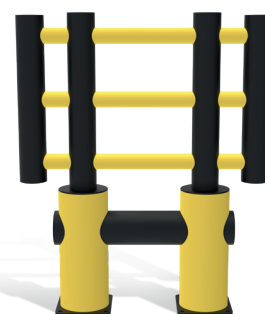
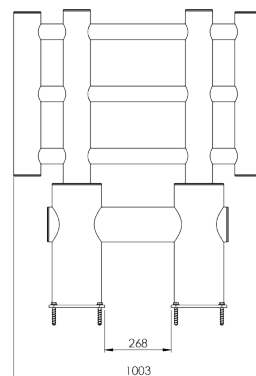
Deflection Zone:

I 250 mm



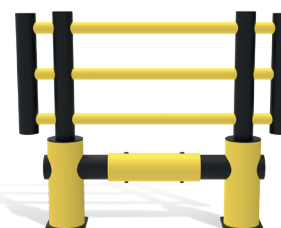
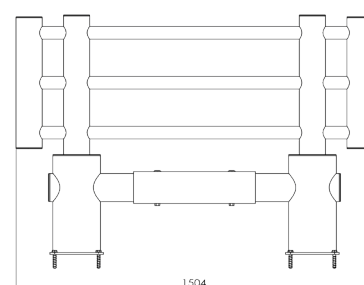
DFKI+FU1

Article description	Machine protective fencing 1 m
Item number	DFKI+FU1
EAN	4250912395190
Customs tariff number	39269097
Width (mm)	1000
Height (mm)	1200
Depth/Length (mm)	225
Installation width (mm)	1003
Width without foot plate (mm):	1000
Depth without foot plate (mm):	110
Deflection zone (mm)	250
Tested to withstand force (Joule):	N/A
Net weight	39,5 kg
Material	Polyethylene
Color	Black - Yellow RAL 1018
Area of application	Indoor and outdoor use
Fixing	Fixing Material included. 8 x concrete screw M12x80



DFKI+FU2

Article description	Machine protective fencing 1,5 m
Item number	DFKI+FU2
EAN	4250912395206
Customs tariff number	39269097
Width (mm)	1500
Height (mm)	1200
Depth/Length (mm)	225
Installation width (mm)	1503
Width without foot plate (mm):	1503
Depth without foot plate (mm):	110
Deflection zone (mm)	250
Tested to withstand force (Joule):	N/A
Net weight	34,5 kg
Material	Polyethylene
Color	Black - Yellow RAL 1018
Area of application	Indoor and outdoor use
Fixing	Fixing Material included. 8 x concrete screw M12x80



DFKI+FU3

Article description	Machine protective fencing 2 m
Item number	DFKI+FU3
EAN	4250912395213
Customs tariff number	39269097
Width (mm)	2000
Height (mm)	1200
Depth/Length (mm)	225
Installation width (mm)	2003
Width without foot plate (mm):	2000
Depth without foot plate (mm):	110
Deflection zone (mm)	250
Tested to withstand force (Joule):	N/A
Net weight	48,77 kg
Material	Polyethylene
Color	Black
Area of application	Indoor and outdoor use
Fixing	Fixing Material included. 8 x concrete screw M10x70

