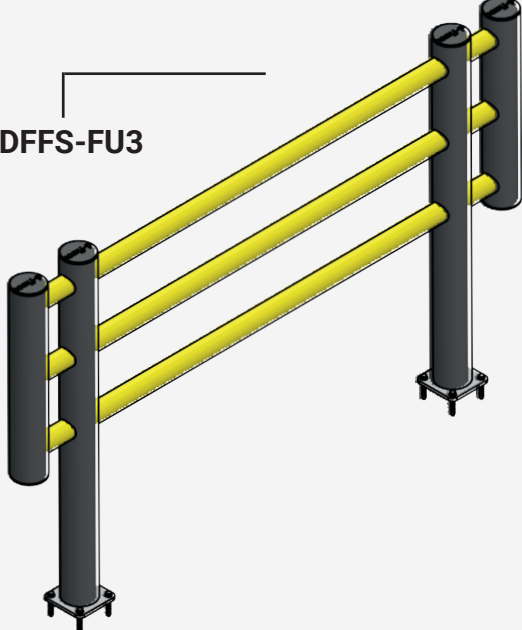
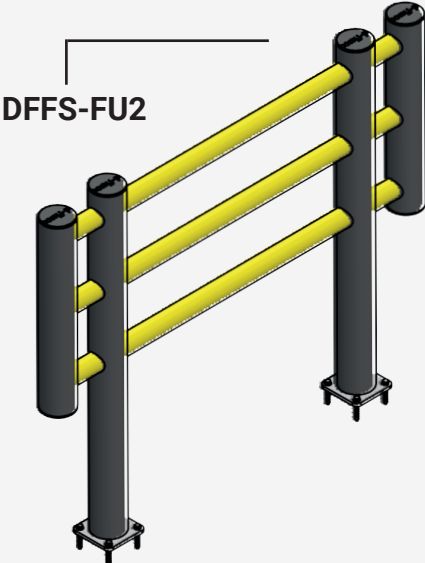
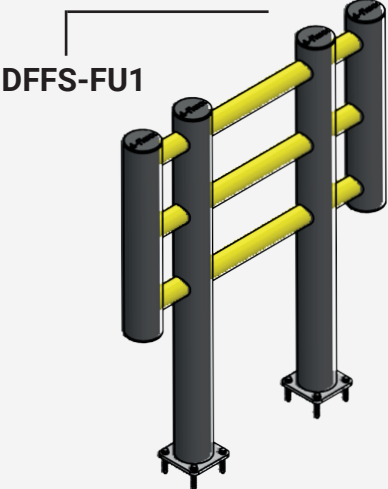




# Machine Protective Fencing - FOXTROT



# Table of contents

Art. No.	Description	Width	Weight	Page
DFFS-FU1	Machine protective fencing	1000 mm	29 kg	2
DFFS-FU2	Machine protective fencing	1500 mm	31 kg	3
DFFS-FU3	Machine protective fencing	2000 mm	32 kg	3

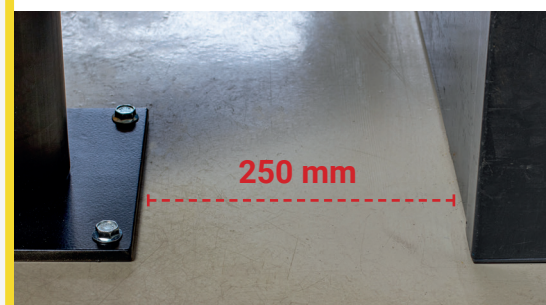
## Technical Information

### Material properties

Operational temperature range	-40° up to + 50°
Ignition Temperature	350 - 360°C
Flash Point	350 - 360°C
Toxicity	Nontoxic
Chemical Resistance	high - ISO/TR 10358
Hygiene Seals	Non
Standard Warranty	5 years

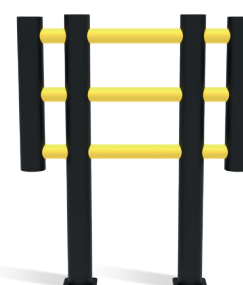
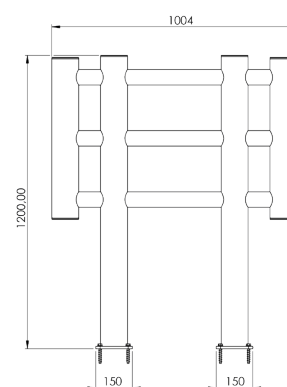
### Deflection Zone:

**I** 250 mm



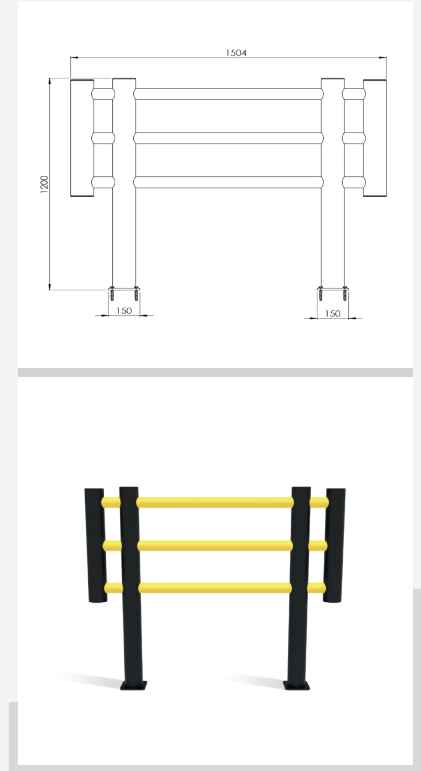
## DFFS-FU1

Article description	Machine protective fencing 1 m
Item number	DFFS-FU1
EAN	4250912311282
Customs tariff number	39269097
Width (mm)	1004
Height (mm)	1200
Depth/Length (mm)	225
Installation width (mm)	1004
Width without foot plate (mm):	1004
Depth without foot plate (mm):	110
Deflection zone (mm)	250
Tested to withstand force (Joule):	N/A
Net weight	29 kg
Material	Polyethylene
Color	Black - Yellow RAL 1018
Area of application	Indoor and outdoor use
Fixing	Fixing Material included. 8 x concrete screw M10x70



# DFFS-FU2

Article description	Machine protective fencing 1,5 m
Item number	DFFS-FU2
EAN	4250912311299
Customs tariff number	39269097
Width (mm)	1504
Height (mm)	1200
Depth/Length (mm)	225
Installation width (mm)	1504
Width without foot plate (mm):	1504
Depth without foot plate (mm):	110
Deflection zone (mm)	250
Tested to withstand force (Joule):	N/A
Net weight	31 kg
Material	Polyethylene
Color	Black - Yellow RAL 1018
Area of application	Indoor and outdoor use
Fixing	Fixing Material included. 8 x concrete screw M10x70



# DFFS-FU3

Article description	Machine protective fencing 2 m
Item number	DFFS-FU3
EAN	4250912311305
Customs tariff number	39269097
Width (mm)	2004
Height (mm)	1200
Depth/Length (mm)	225
Installation width (mm)	2004
Width without foot plate (mm):	2004
Depth without foot plate (mm):	110
Deflection zone (mm)	250
Tested to withstand force (Joule):	N/A
Net weight	32 kg
Material	Polyethylene
Color	Black - Yellow RAL 1018
Area of application	Indoor and outdoor use
Fixing	Fixing Material included. 8 x concrete screw M10x70

