



Traffic Barrier - ECHO

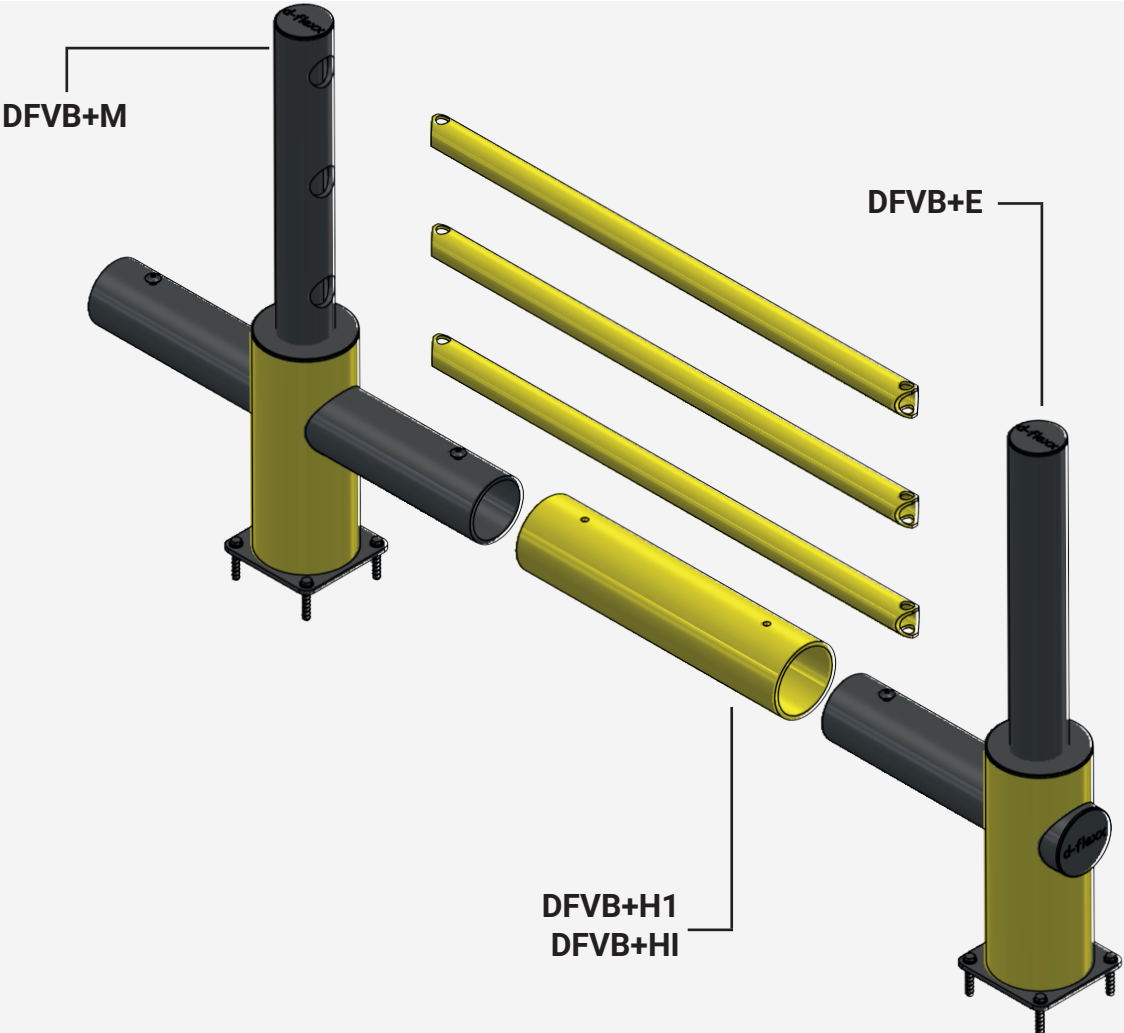


Table of contents

| Art. No. | Description | Width | Weight | Page |
|--------------|---|---------|------------|------|
| DFVB+E | End post | 600 mm | 17,0 kg | 3 |
| DFVB+M | Middle post | 1000 mm | 17,2 kg | 3 |
| DFVB+M+W90L | Echo to Delta corner post 90° left | 600 mm | 14,8 kg | 4 |
| DFVB+M+W90R | Echo to Delta corner post 90° right | 600 mm | 14,8 kg | 4 |
| DFVB+H1 | Beam set: 3 beams length 1534 mm Ø 63 mm and 1 pipe length 930 mm Ø 160 mm | | 7,2 kg | 5 |
| DFVB+HI | Beam set: 3 beams individual length 1000 - 1533 mm Ø 63 mm and 1 pipe individual length | | 5,8 kg / m | 5 |
| DFJU+TM | Echo Middle post for Juliet swing door | 619 mm | 12,8 kg | 6 |
| DFJU+TT | Echo T-post 90° for Juliet swing door | 1000 mm | 16,7 kg | 6 |
| DFJU+TW90L | Echo Corner post 90° left for Juliet swing door | 619 mm | 15,7 kg | 7 |
| DFJU+TW90R | Echo Corner post 90° right for Juliet swing door | 619 mm | 15,7 kg | 7 |
| DFJU+TE | Echo End post for Juliet swing door | 225 mm | 12,8 kg | 8 |
| DFJU+TW337.5 | Echo Endpost Juliet 337,5° | 225 mm | 12,8 kg | 8 |
| DFJU+TW315 | Echo Endpost Juliet 315° | 225 mm | 12,8 kg | 9 |
| DFJU+TW45 | Echo Endpost Juliet 45° | 225 mm | 12,8 kg | 9 |
| DFJU+TW67.5 | Echo Endpost Juliet 67,5° | 225 mm | 12,8 kg | 10 |
| DFJU+TW22.5 | Echo Endpost Juliet 22,5° | 225 mm | 12,8 kg | 10 |
| DFJU+TW292.5 | Echo Endpost Juliet 292,5° | 225 mm | 12,8 kg | 11 |

Technical Information

Material properties

| | |
|-------------------------------|---------------------|
| Operational temperature range | -40° up to + 50° |
| Ignition Temperature | 350 - 360°C |
| Flash Point | 350 - 360°C |
| Toxicity | Nontoxic |
| Chemical Resistance | high - ISO/TR 10358 |
| Hygiene Seals | Non |
| Standard Warranty | 5 years |

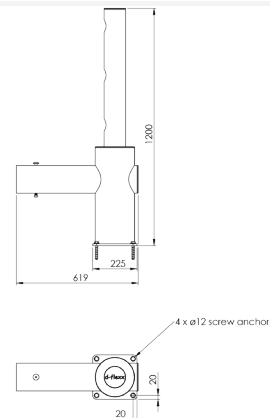
Deflection Zone:

I 250 mm



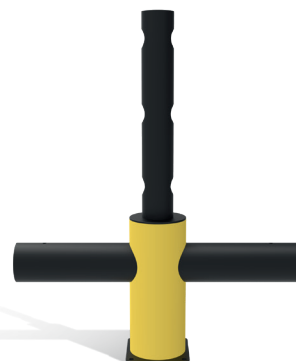
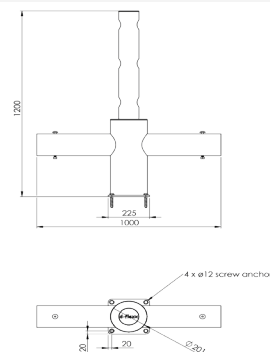
DFVB+E

| | |
|------------------------------------|--|
| Article description | End post |
| Item number | DFVB+E |
| EAN | 4250912311244 |
| Customs tariff number | 39269097 |
| Width (mm) | 225 |
| Height (mm) | 620 |
| Depth/Length (mm) | 1225 |
| Installation width (mm) | 174 |
| Width without foot plate (mm): | 619 |
| Depth without foot plate (mm): | N/A |
| Deflection zone (mm) | 250 |
| Tested to withstand force (Joule): | N/A |
| Net weight | 17 kg |
| Material | Polyethylene |
| Color | Yellow - black |
| Area of application | Indoor and outdoor use |
| Fixing | Fixing Material included. 4 x concrete screw M12x80 |



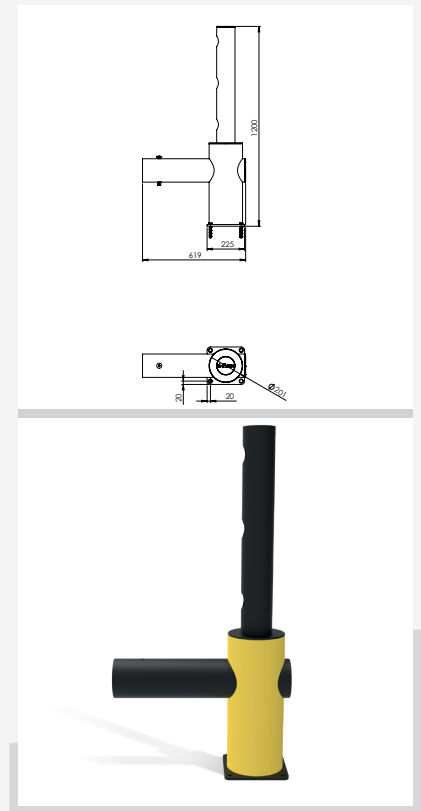
DFVB+M

| | |
|------------------------------------|--|
| Article description | Middle post |
| Item number | DFVB+M |
| EAN | 4250912311251 |
| Customs tariff number | 39269097 |
| Width (mm) | 1220 |
| Height (mm) | 1005 |
| Depth/Length (mm) | 225 |
| Installation width (mm) | 110 |
| Width without foot plate (mm): | 1.000 |
| Depth without foot plate (mm): | 200 |
| Deflection zone (mm) | 250 |
| Tested to withstand force (Joule): | N/A |
| Net weight | 18 kg |
| Material | Polyethylene |
| Color | Yellow - black |
| Area of application | Indoor and outdoor use |
| Fixing | Fixing Material included. 4 x concrete screw M12x80 |



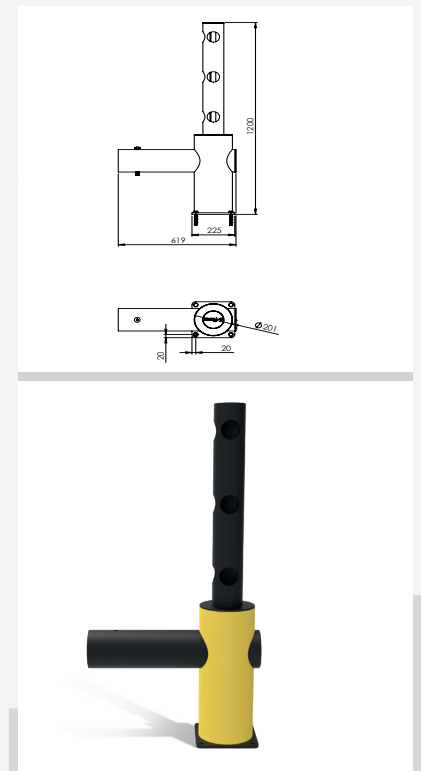
DFVB+M+W90L

| | |
|------------------------------------|--|
| Article description | Echo to Delta corner post 90° left |
| Item number | DFVB+M+W90L |
| EAN | 4250912395534 |
| Customs tariff number | 39269097 |
| Width (mm) | 619 |
| Height (mm) | 1200 |
| Depth/Length (mm) | 225 |
| Installation width (mm) | 174 |
| Width without foot plate (mm): | N/A |
| Depth without foot plate (mm): | 200 |
| Deflection zone (mm) | 250 |
| Tested to withstand force (Joule): | N/A |
| Net weight | 14,88 kg |
| Material | Polyethylene |
| Color | Yellow - black |
| Area of application | Indoor and outdoor use |
| Fixing | Fixing Material included. 4 x concrete screw M12x80 |



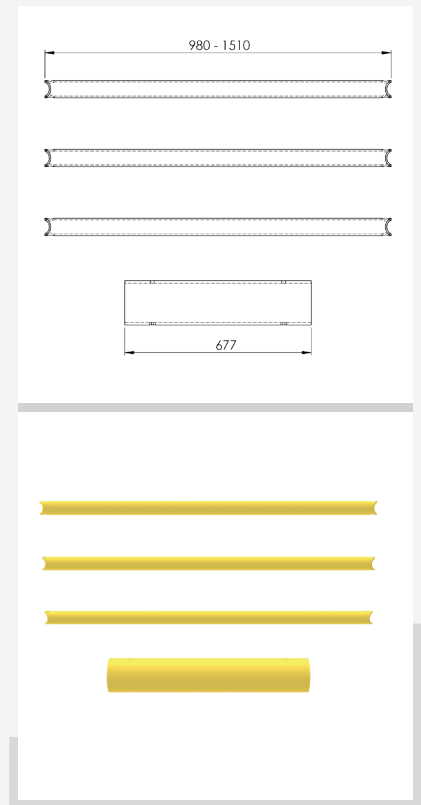
DFVB+M+W90R

| | |
|------------------------------------|--|
| Article description | Echo to Delta corner post 90° right |
| Item number | DFVB+M+W90R |
| EAN | 4250912395541 |
| Customs tariff number | 39269097 |
| Width (mm) | 619 |
| Height (mm) | 1200 |
| Depth/Length (mm) | 225 |
| Installation width (mm) | 174 |
| Width without foot plate (mm): | N/A |
| Depth without foot plate (mm): | 200 |
| Deflection zone (mm) | 250 |
| Tested to withstand force (Joule): | N/A |
| Net weight | 14,88 kg |
| Material | Polyethylene |
| Color | Yellow - black |
| Area of application | Indoor and outdoor use |
| Fixing | Fixing Material included. 4 x concrete screw M12x80 |



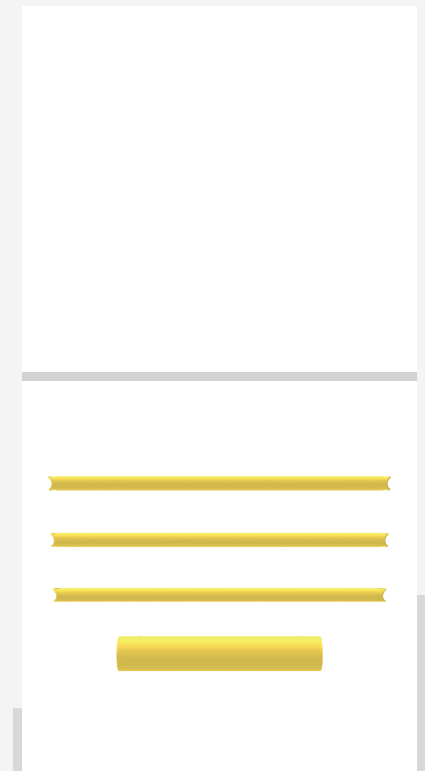
DFVB+H1

| | |
|------------------------------------|------------------------|
| Article description | Beam set |
| Item number | DFVB+H1 |
| EAN | 4250912311268 |
| Customs tariff number | 39269097 |
| Width (mm) | 1420 |
| Height (mm) | N/A |
| Depth/Length (mm) | N/A |
| Installation width (mm) | 1420 |
| Width without foot plate (mm): | N/A |
| Depth without foot plate (mm): | N/A |
| Deflection zone (mm) | see post |
| Tested to withstand force (Joule): | N/A |
| Net weight | 1,548 kg |
| Material | Polyethylene |
| Color | Yellow |
| Area of application | Indoor and outdoor use |
| Fixing | screw together |



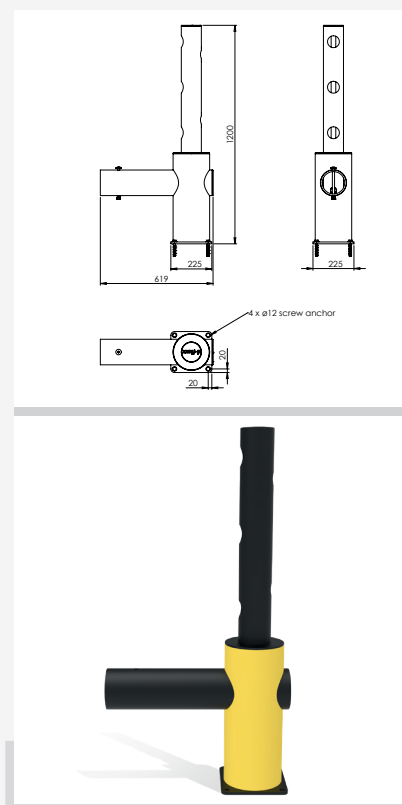
DFVB+HI

| | |
|------------------------------------|----------------------------|
| Article description | Beam set individual length |
| Item number | DFVB+HI |
| EAN | 4250912311275 |
| Customs tariff number | 39269097 |
| Width (mm) | 400-929/980-1509 |
| Height (mm) | N/A |
| Depth/Length (mm) | N/A |
| Installation width (mm) | 980-1420 |
| Width without foot plate (mm): | N/A |
| Depth without foot plate (mm): | N/A |
| Deflection zone (mm) | see post |
| Tested to withstand force (Joule): | N/A |
| Net weight | 4,05 kg / m |
| Material | Polyethylene |
| Color | Yellow |
| Area of application | Indoor and outdoor use |
| Fixing | screw together |



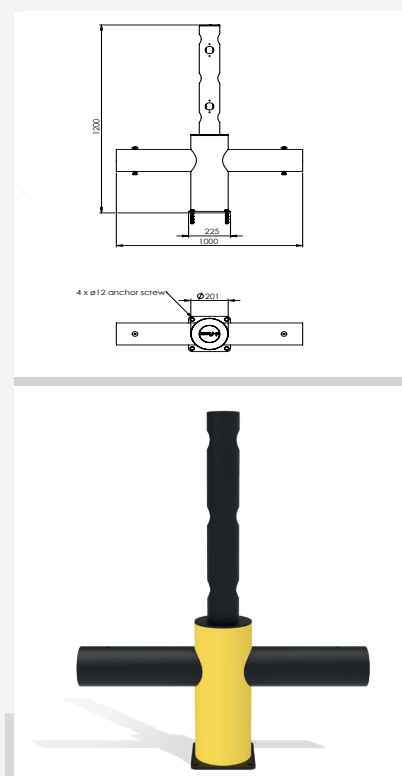
DFJU+TM

| | |
|------------------------------------|--|
| Article description | Middle post for Juliet swing door |
| Item number | DFJU+TM |
| EAN | 4250912312821 |
| Customs tariff number | 39269097 |
| Width (mm) | 619 |
| Height (mm) | 1200 |
| Depth/Length (mm) | 225 |
| Installation width (mm) | 174 |
| Width without foot plate (mm): | N/A |
| Depth without foot plate (mm): | 200 |
| Deflection zone (mm) | 250 |
| Tested to withstand force (Joule): | N/A |
| Net weight | 16 kg |
| Material | Polyethylene |
| Color | Yellow - black |
| Area of application | Indoor and outdoor use |
| Fixing | Fixing Material included. 4 x concrete screw M12x80 |



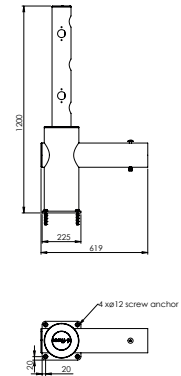
DFJU+TT

| | |
|------------------------------------|--|
| Article description | T-post 90° for Juliet swing door |
| Item number | DFJU+TT |
| EAN | 4250912395053 |
| Customs tariff number | 39269097 |
| Width (mm) | 1000 |
| Height (mm) | 1200 |
| Depth/Length (mm) | 225 |
| Installation width (mm) | 110 |
| Width without foot plate (mm): | 1000 |
| Depth without foot plate (mm): | 200 |
| Deflection zone (mm) | 250 |
| Tested to withstand force (Joule): | N/A |
| Net weight | 16,7 kg |
| Material | Polyethylene |
| Color | Yellow - black |
| Area of application | Indoor and outdoor use |
| Fixing | Fixing Material included. 4 x concrete screw M12x80 |



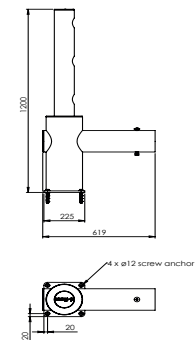
DFJU+TW90L

| | |
|------------------------------------|--|
| Article description | Corner post 90° left |
| Item number | DFJU+TW90L |
| EAN | 4250912395268 |
| Customs tariff number | 39269097 |
| Width (mm) | 619 |
| Height (mm) | 1200 |
| Depth/Length (mm) | 225 |
| Installation width (mm) | 174 |
| Width without foot plate (mm): | 619 |
| Depth without foot plate (mm): | 200 |
| Deflection zone (mm) | 250 |
| Tested to withstand force (Joule): | N/A |
| Net weight | 15,7 kg |
| Material | Polyethylene |
| Color | Yellow - black |
| Area of application | Indoor and outdoor use |
| Fixing | Fixing Material included. 4 x concrete screw M12x80 |



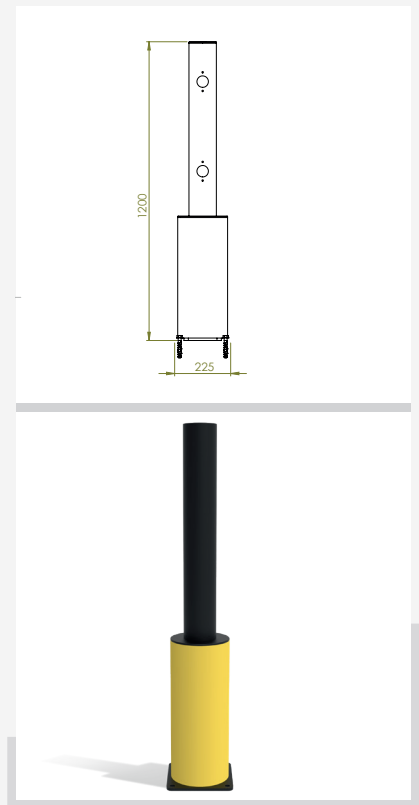
DFJU+TW90R

| | |
|------------------------------------|--|
| Article description | Corner post 90° right |
| Item number | DFJU+TW90R |
| EAN | 4250912395275 |
| Customs tariff number | 39269097 |
| Width (mm) | 619 |
| Height (mm) | 619 |
| Depth/Length (mm) | 225 |
| Installation width (mm) | 110 |
| Width without foot plate (mm): | 619 |
| Depth without foot plate (mm): | 200 |
| Deflection zone (mm) | 250 |
| Tested to withstand force (Joule): | N/A |
| Net weight | 15,7 kg |
| Material | Polyethylene |
| Color | Yellow - black |
| Area of application | Indoor and outdoor use |
| Fixing | Fixing Material included. 4 x concrete screw M12x80 |



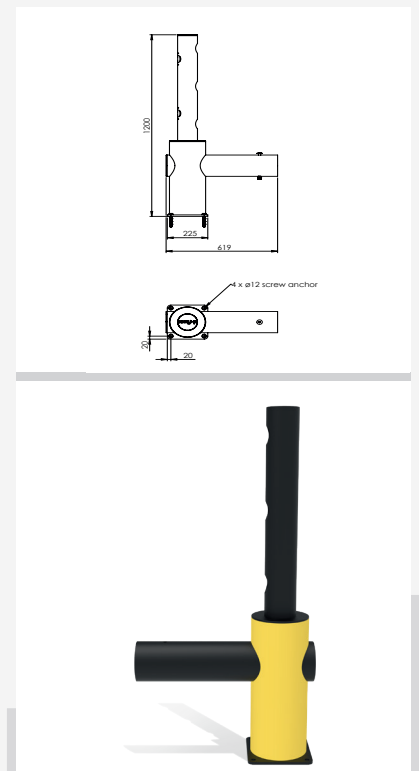
DFJU+TE

| | |
|------------------------------------|--|
| Article description | End post |
| Item number | DFJU+TE |
| EAN | 4250912395046 |
| Customs tariff number | 39269097 |
| Width (mm) | 225 |
| Height (mm) | 1200 |
| Depth/Length (mm) | 225 |
| Installation width (mm) | 174 |
| Width without foot plate (mm): | 200 |
| Depth without foot plate (mm): | 200 |
| Deflection zone (mm) | 250 |
| Tested to withstand force (Joule): | N/A |
| Net weight | 12,8 kg |
| Material | Polyethylene |
| Color | Yellow - black |
| Area of application | Indoor and outdoor use |
| Fixing | Fixing Material included. 4 x concrete screw M12x80 |



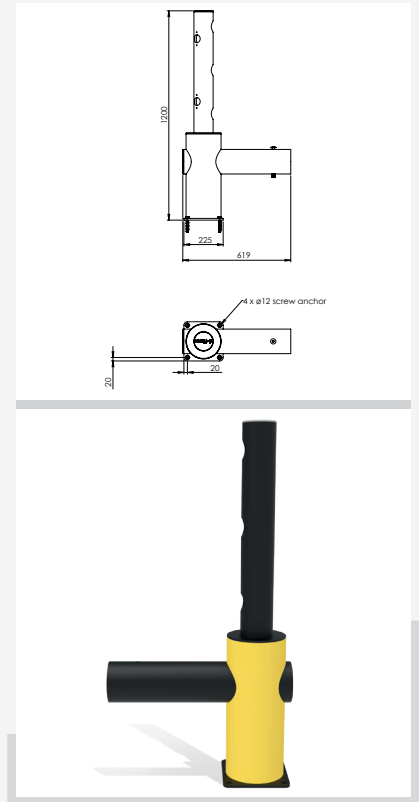
DFJU+TW337.5

| | |
|------------------------------------|--|
| Article description | Echo Endpost Juliet 337,5° |
| Item number | DFJU+TW337.5 |
| EAN | 4250912397095 |
| Customs tariff number | 39269097 |
| Width (mm) | 619 |
| Height (mm) | 1200 |
| Depth/Length (mm) | 225 |
| Installation width (mm) | 174 |
| Width without foot plate (mm): | 200 |
| Depth without foot plate (mm): | 200 |
| Deflection zone (mm) | 250 |
| Tested to withstand force (Joule): | N/A |
| Net weight | 12,8 kg |
| Material | Polyethylene |
| Color | Yellow - black |
| Area of application | Indoor and outdoor use |
| Fixing | Fixing Material included. 4 x concrete screw M12x80 |



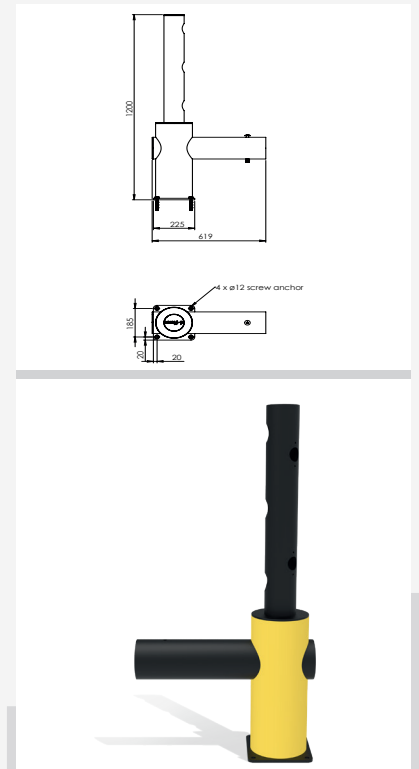
DFJU+TW315

| | |
|------------------------------------|--|
| Article description | Echo Endpost Juliet 315° |
| Item number | DFJU+TW315 |
| EAN | 4250912397101 |
| Customs tariff number | 39269097 |
| Width (mm) | 619 |
| Height (mm) | 1200 |
| Depth/Length (mm) | 225 |
| Installation width (mm) | 174 |
| Width without foot plate (mm): | 200 |
| Depth without foot plate (mm): | 200 |
| Deflection zone (mm) | 250 |
| Tested to withstand force (Joule): | N/A |
| Net weight | 12,8 kg |
| Material | Polyethylene |
| Color | Yellow - black |
| Area of application | Indoor and outdoor use |
| Fixing | Fixing Material included. 4 x concrete screw M12x80 |



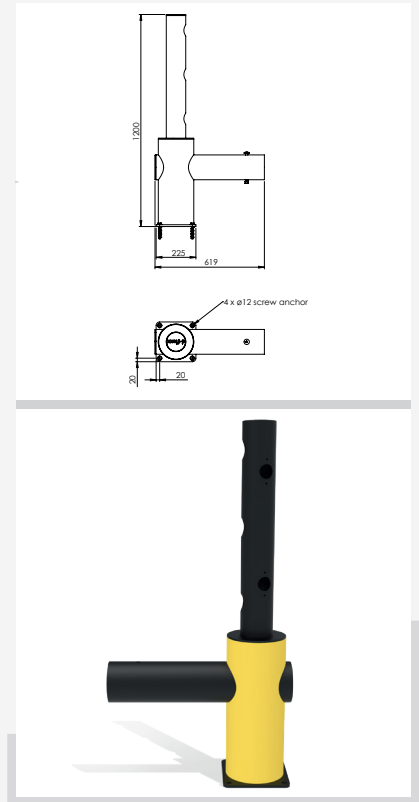
DFJU+TW45

| | |
|------------------------------------|--|
| Article description | Echo Endpost Juliet 45° |
| Item number | DFJU+TW45 |
| EAN | 4250912397088 |
| Customs tariff number | 39269097 |
| Width (mm) | 619 |
| Height (mm) | 1200 |
| Depth/Length (mm) | 225 |
| Installation width (mm) | 174 |
| Width without foot plate (mm): | 200 |
| Depth without foot plate (mm): | 200 |
| Deflection zone (mm) | 250 |
| Tested to withstand force (Joule): | N/A |
| Net weight | 12,8 kg |
| Material | Polyethylene |
| Color | Yellow - black |
| Area of application | Indoor and outdoor use |
| Fixing | Fixing Material included. 4 x concrete screw M12x80 |



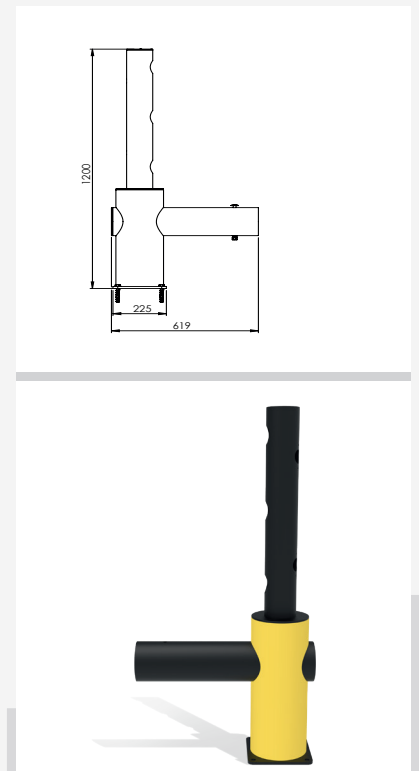
DFJU+TW67.5

| | |
|------------------------------------|--|
| Article description | Echo Endpost Juliet 67.5° |
| Item number | DFJU+TW67.5 |
| EAN | 4250912397071 |
| Customs tariff number | 39269097 |
| Width (mm) | 619 |
| Height (mm) | 1200 |
| Depth/Length (mm) | 225 |
| Installation width (mm) | 174 |
| Width without foot plate (mm): | 200 |
| Depth without foot plate (mm): | 200 |
| Deflection zone (mm) | 250 |
| Tested to withstand force (Joule): | N/A |
| Net weight | 12,8 kg |
| Material | Polyethylene |
| Color | Yellow - black |
| Area of application | Indoor and outdoor use |
| Fixing | Fixing Material included. 4 x concrete screw M12x80 |



DFJU+TW22.5

| | |
|------------------------------------|--|
| Article description | Echo Endpost Juliet 22.5° |
| Item number | DFJU+TW22.5 |
| EAN | 4250912397057 |
| Customs tariff number | 39269097 |
| Width (mm) | 225 |
| Height (mm) | 1200 |
| Depth/Length (mm) | 225 |
| Installation width (mm) | 174 |
| Width without foot plate (mm): | 200 |
| Depth without foot plate (mm): | 200 |
| Deflection zone (mm) | 250 |
| Tested to withstand force (Joule): | N/A |
| Net weight | 12,8 kg |
| Material | Polyethylene |
| Color | Yellow - black |
| Area of application | Indoor and outdoor use |
| Fixing | Fixing Material included. 4 x concrete screw M12x80 |



DFJU+TW292.5

| | |
|------------------------------------|--|
| Article description | Echo Endpost Juliet 292,5° |
| Item number | DFJU+TW292.5 |
| EAN | 4250912397118 |
| Customs tariff number | 39269097 |
| Width (mm) | 225 |
| Height (mm) | 1200 |
| Depth/Length (mm) | 225 |
| Installation width (mm) | 174 |
| Width without foot plate (mm): | 200 |
| Depth without foot plate (mm): | 200 |
| Deflection zone (mm) | 250 |
| Tested to withstand force (Joule): | N/A |
| Net weight | 12,8 kg |
| Material | Polyethylene |
| Color | Yellow - black |
| Area of application | Indoor and outdoor use |
| Fixing | Fixing Material included. 4 x concrete screw M12x80 |

